

TECHNICAL DATA SHEET

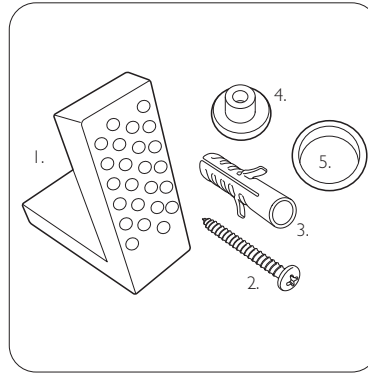
Structure Comfort Height Back To Wall WC Pan - BTWC450S

TAVISTOCK

NO.	Description	Product Code	Fixings included	Gross Weight
1	Soft Close Toilet Seat	TS450S	YES	3KG
2	Back to Wall WC	BTWC450S	YES	25KG



Floor Fixings



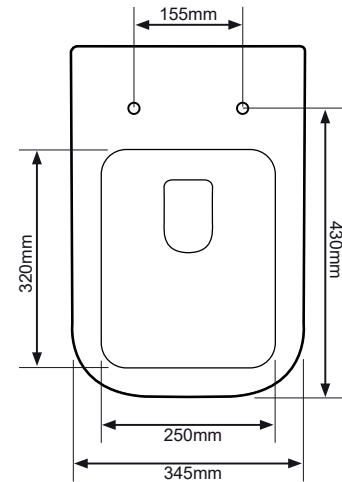
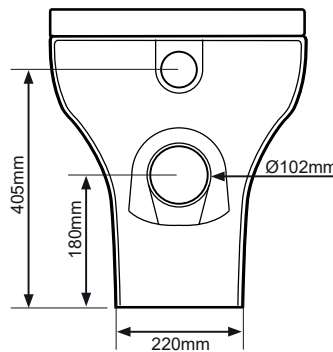
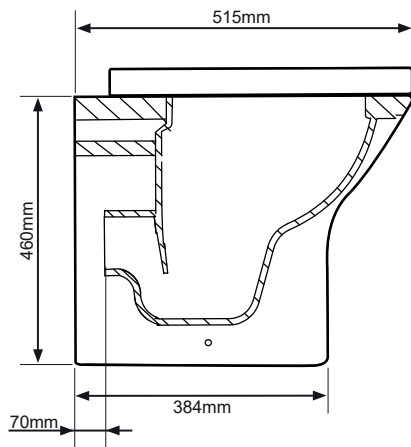
- 1. 2x Nylon Floor Bracket
- 2. 4x Stainless Steel Screws
- 3. 2x Nylon Screw Plugs
- 4. 2x Nylon Screw Collars
- 5. 2x Nylon Collar Caps (Metalic Finish)

Spare Code: SP14211

DIMENSIONS

DIAGRAMS NOT TO SCALE | ALL DIMENSIONS IN MM TOLERANCE OF ± 5MM

ALL PRODUCTS CONFORM TO BRITISH STANDARDS



*Dimensions are subject to change, customers are advised to measure actual product before commencing installation.

**Fixing point dimensions are for guidance only. The positions of fixings must be checked when product is received.

FAQs

Q - Are there any other compatible seats?

A - Yes, TS451S Structure Slim Seat

Q - Which concealed cistern do I use?

A - Comfort Cistern (TR9008) when installing with bathroom furniture.

Q - Rim type?

A - Box rim

Key Dimensions Descriptions	Key Dimensions (mm)
Front to Back Footprint	384mm
Left to Right Footprint	220mm
Bowl Front to Back	320mm
Bowl Left to Right	250mm
Pan Height	460mm
Pan Overall front to Back	515mm
Centre Flush Inlet to Floor	405mm
Centre Waste Outlet to Floor	180mm
Width of Void	155mm
Is there a Ceramic Brace Bar	No
Distance from Spigot to back of Pan	70mm