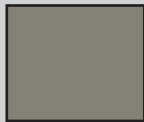


No.	Description	Code	Fixings Included
Furniture			
1	System 500 WM DBL Draw	SYS500D.X	Wallmounted Brackets & Screws
2	System 600 WM DBL Draw	SYS600D.X	Wallmounted Brackets & Screws
3	System 800 WM DBL Draw	SYS800D.X	Wallmounted Brackets & Screws
4	System 1200 WM DBL Draw	SYS1200D.X	Wallmounted Brackets & Screws
Basins			
5	System 600 Ceramic Basin	SYS600C	None
6	System 800 Ceramic Basin	SYS800C	None
7	System 500 Isocast Basin	SYS500IS	Overflow Kit
8	System 600 Isocast Basin	SYS600IS	Overflow Kit
9	System 800 Isocast Basin	SYS800IS	Overflow Kit
10	System 1200 Isocast Basin	SYS1200IS	2 x Overflow Kit

## Finishes Available



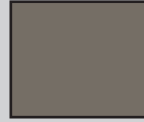
White



Gloss Dark Clay



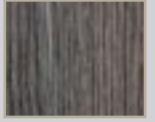
Light Grey



Matt Carbon



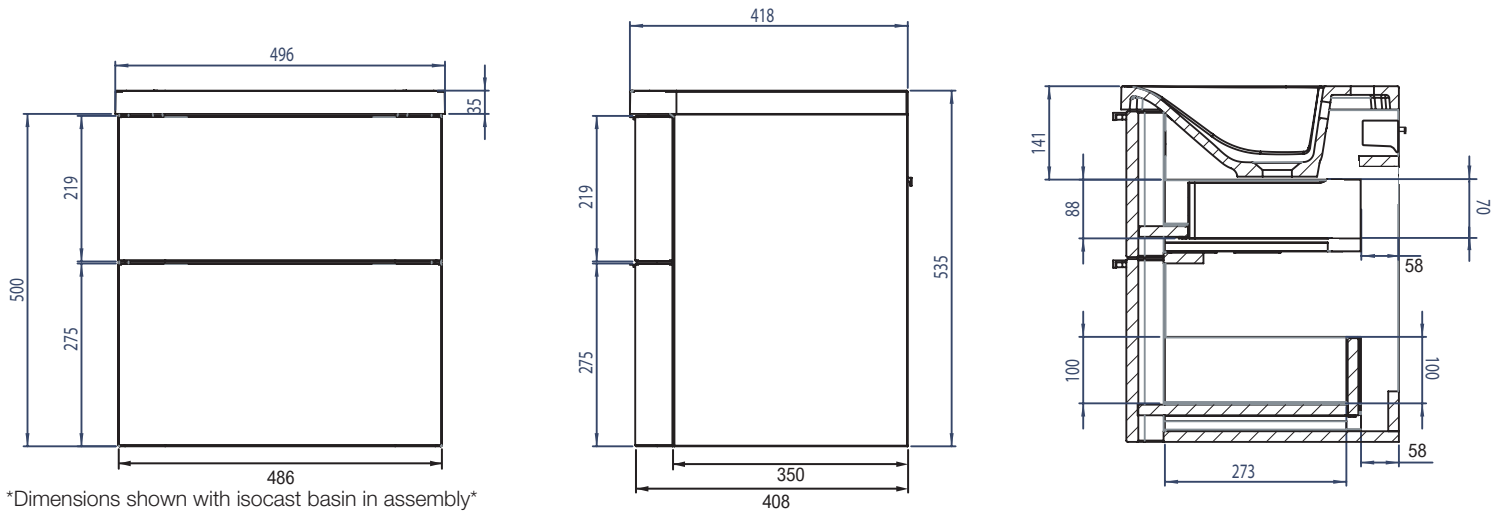
Matt Light Clay



Umbr

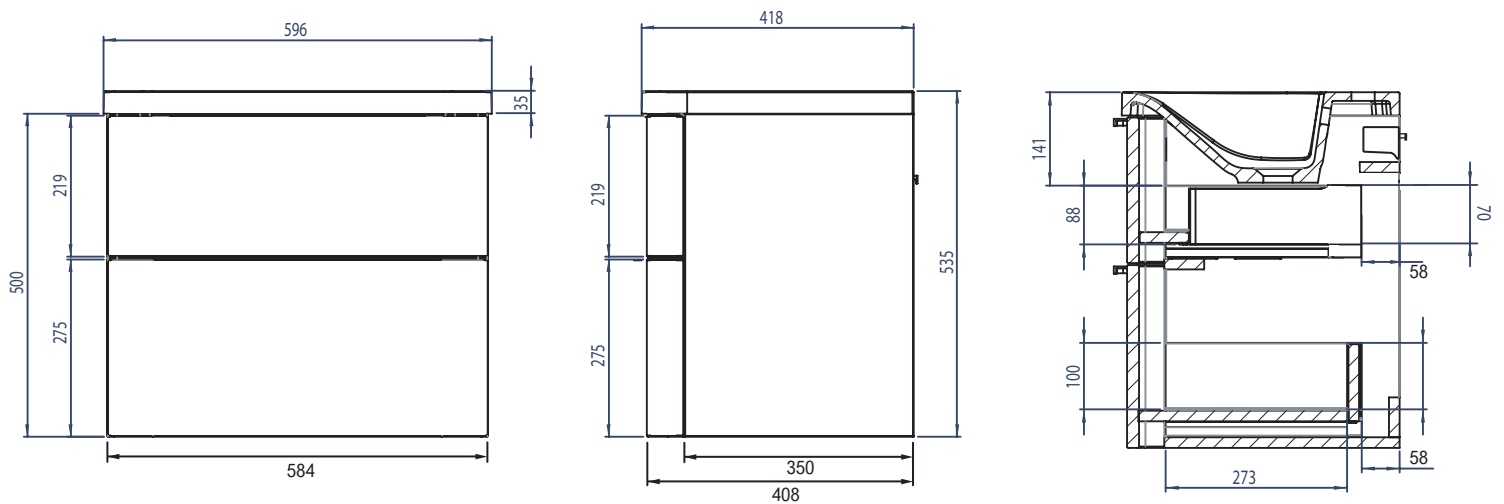


## Dimensions - System 500



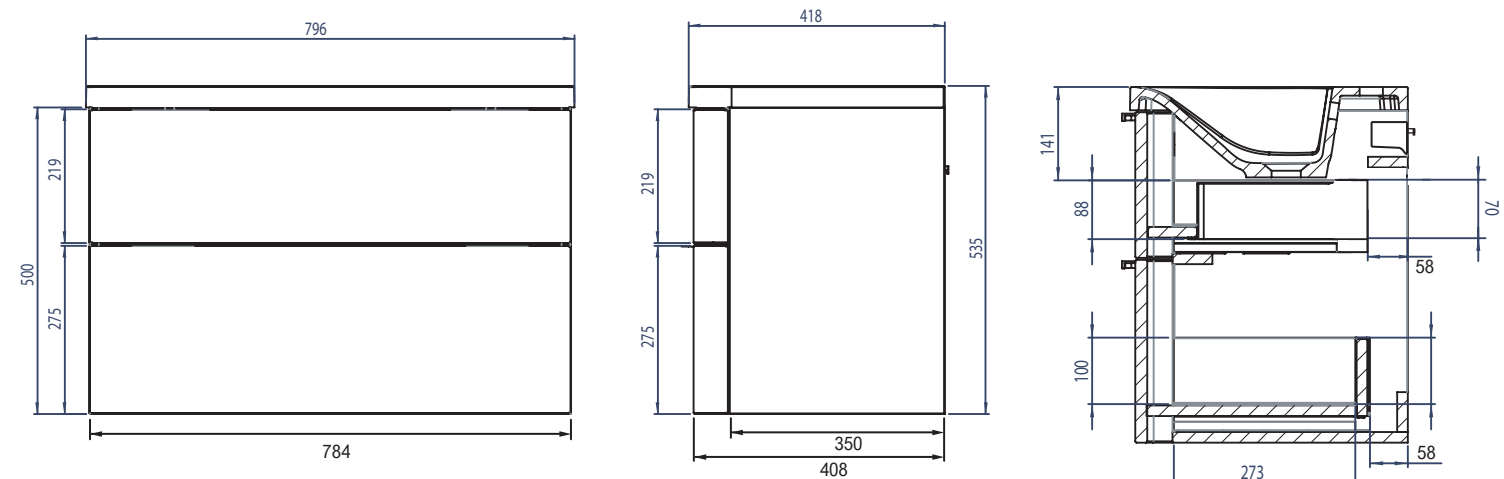
\*Dimensions shown with isocast basin in assembly\*

## Dimensions - System 600



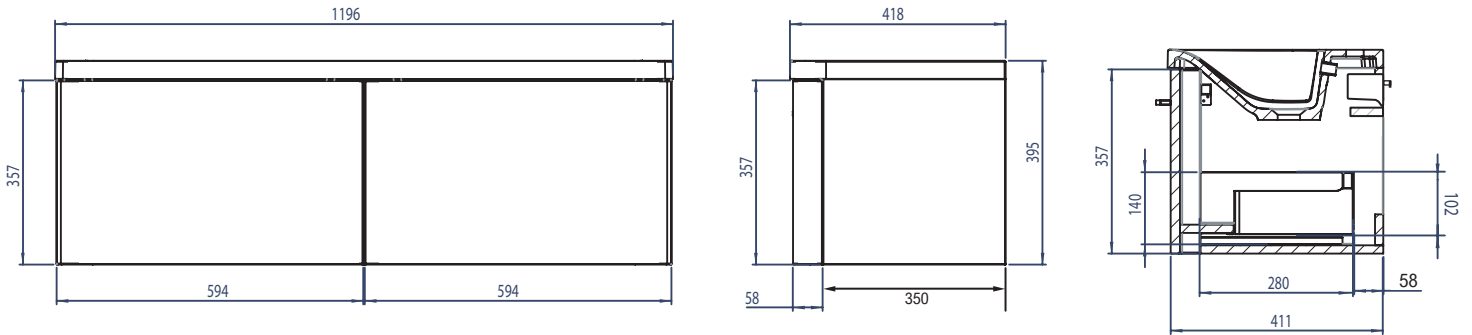
\*Dimensions shown with isocast basin in assembly\*

## Dimensions - System 800



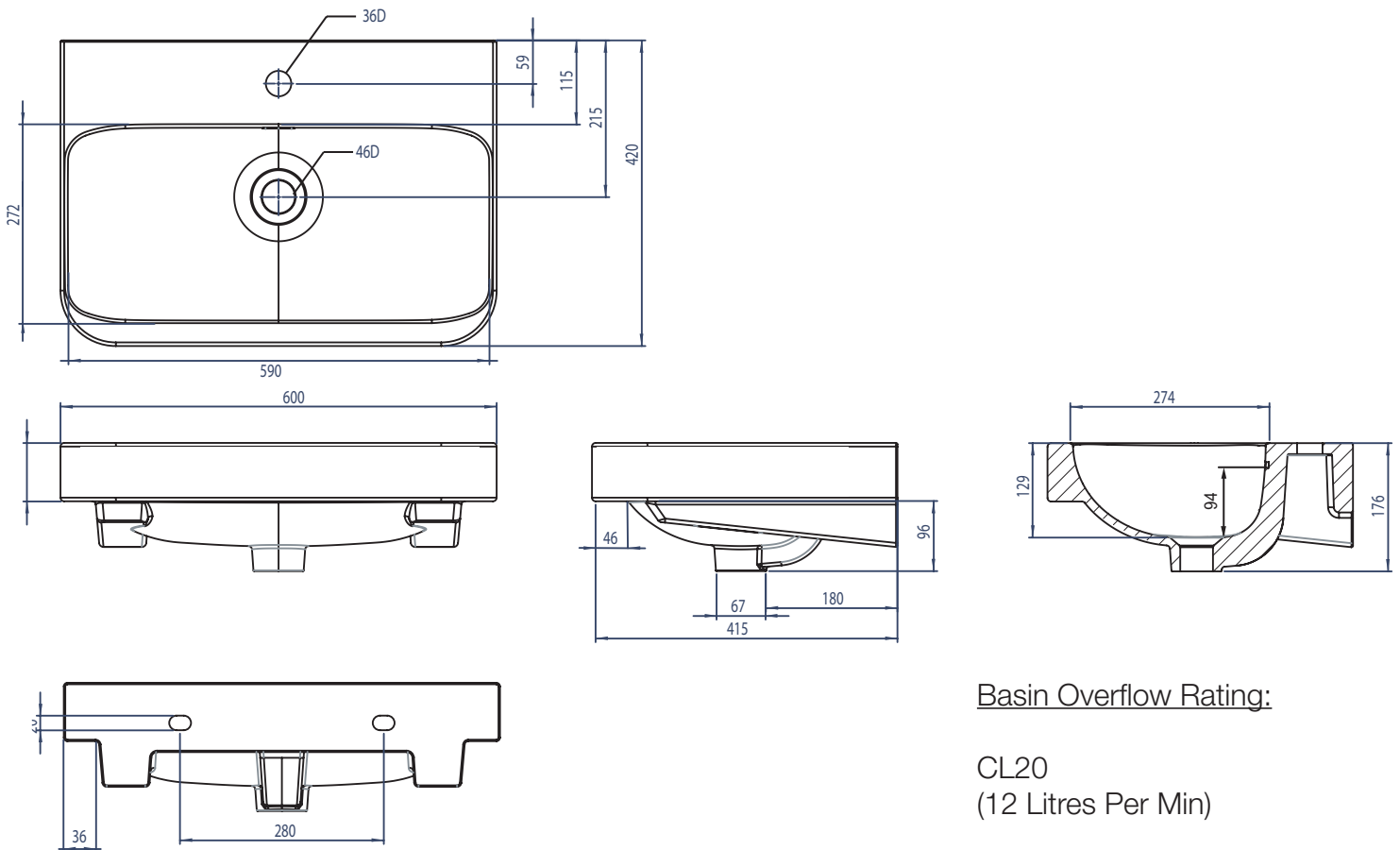
\*Dimensions shown with isocast basin in assembly\*

Dimensions - System 1200



\*Dimensions shown with isocast basin in assembly\*

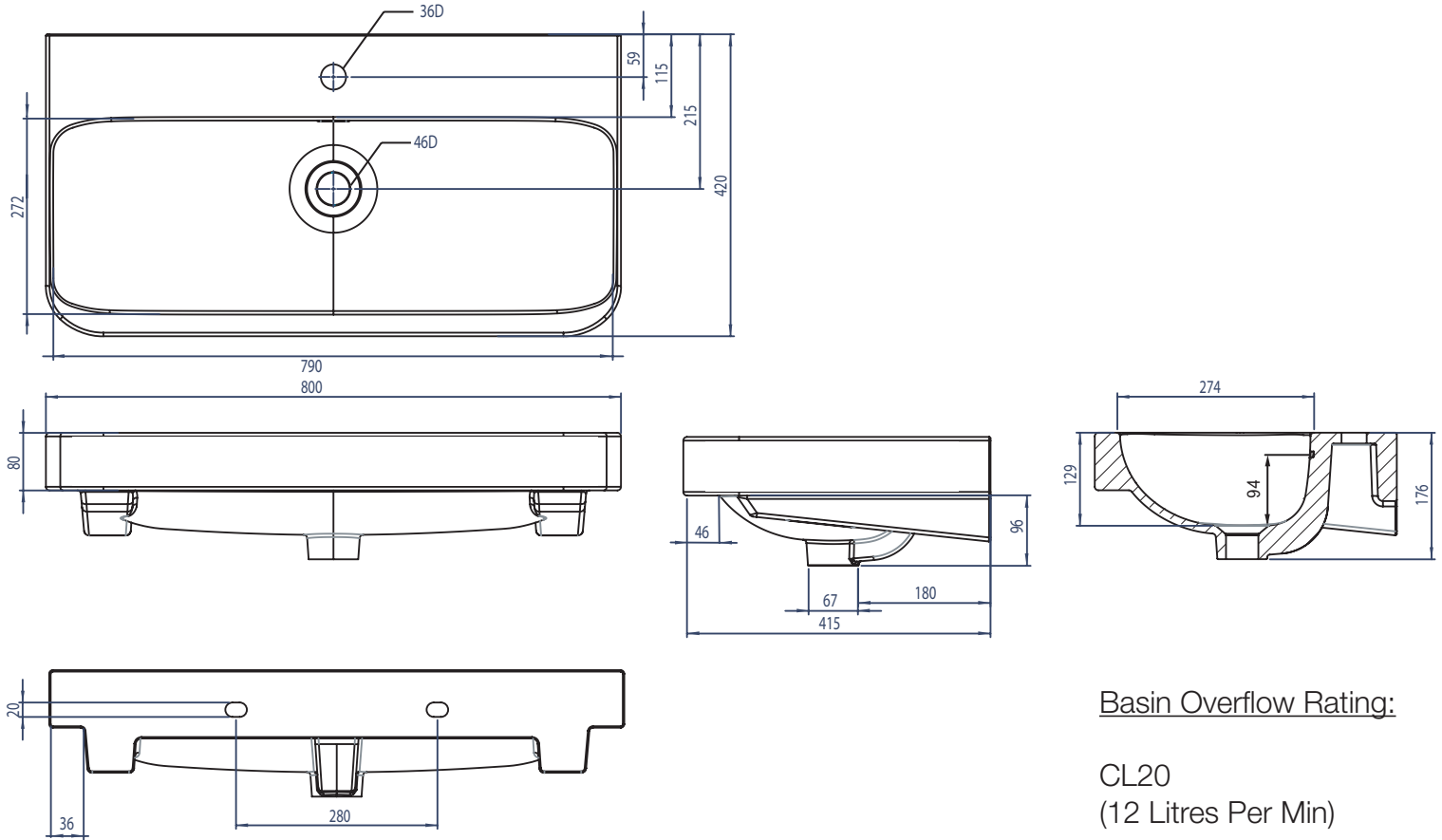
Dimensions - Ceramic 600 Basin



Basin Overflow Rating:

CL20  
(12 Litres Per Min)

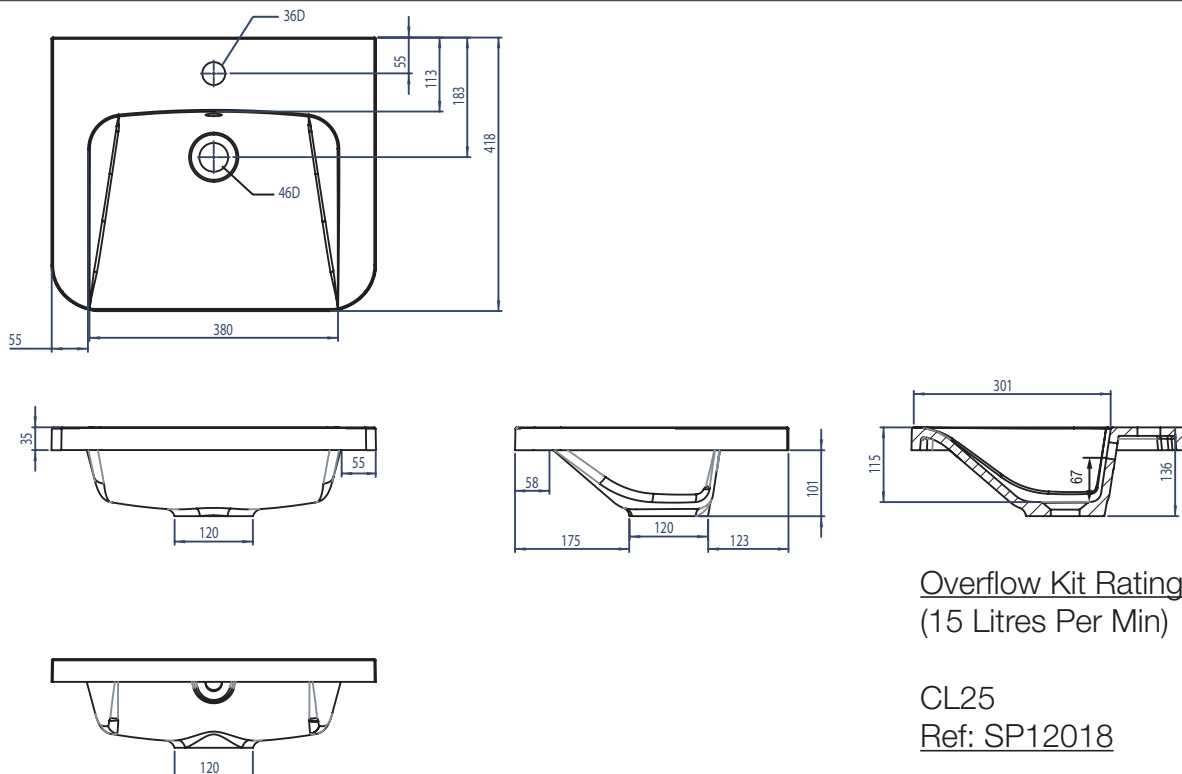
Dimensions - Ceramic 800 Basin



Basin Overflow Rating:

CL20  
(12 Litres Per Min)

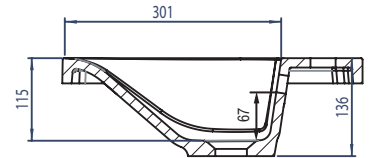
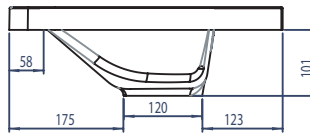
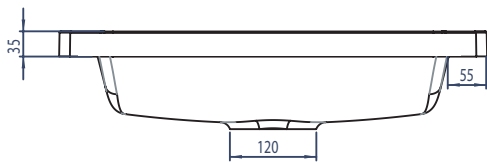
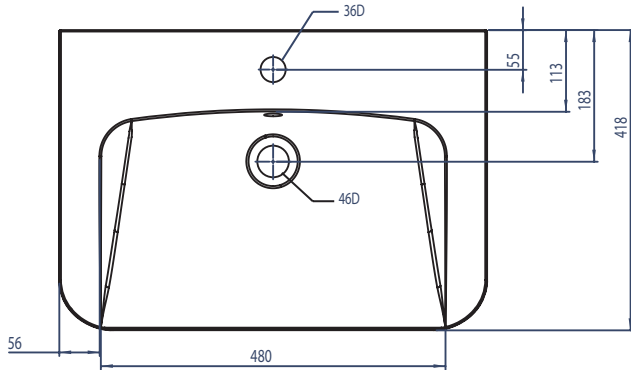
Dimensions - Isocast 500 Basin



Overflow Kit Rating:  
(15 Litres Per Min)

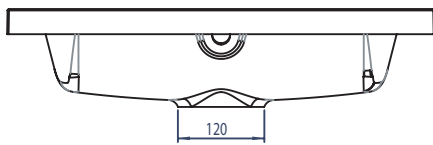
CL25  
Ref: SP12018

Dimensions - Isocast 600 Basin

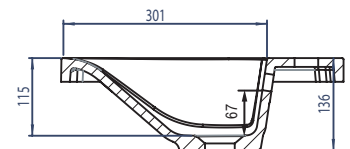
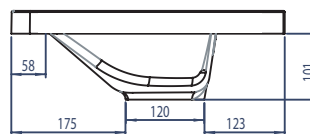
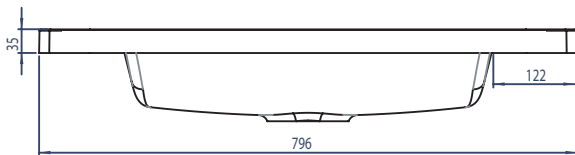
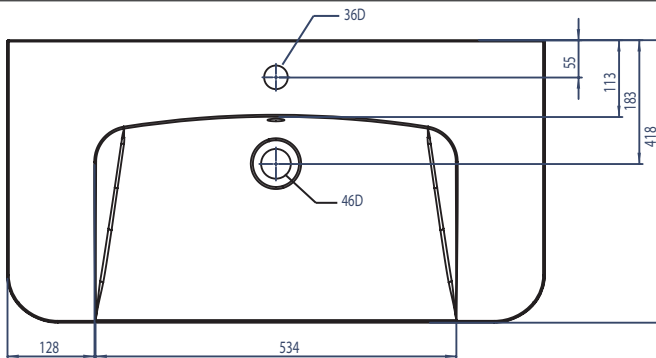


Overflow Kit Rating:  
(15 Litres Per Min)

CL25  
Ref: SP12018

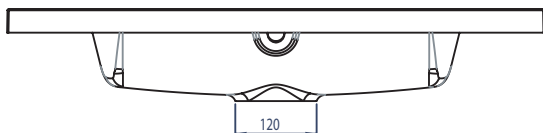


Dimensions - Isocast 800 Basin

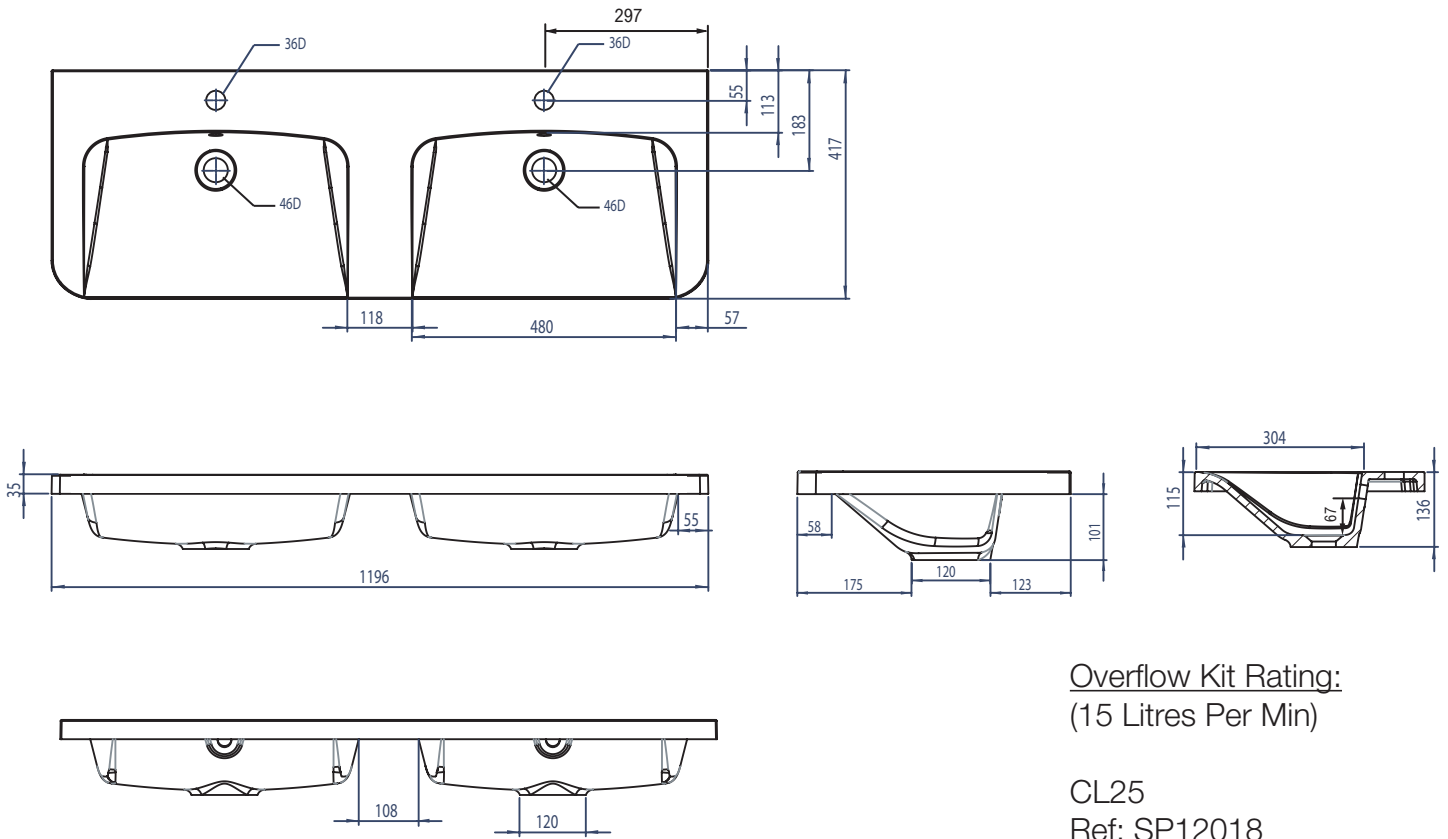


Overflow Kit Rating:  
(15 Litres Per Min)

CL25  
Ref: SP12018



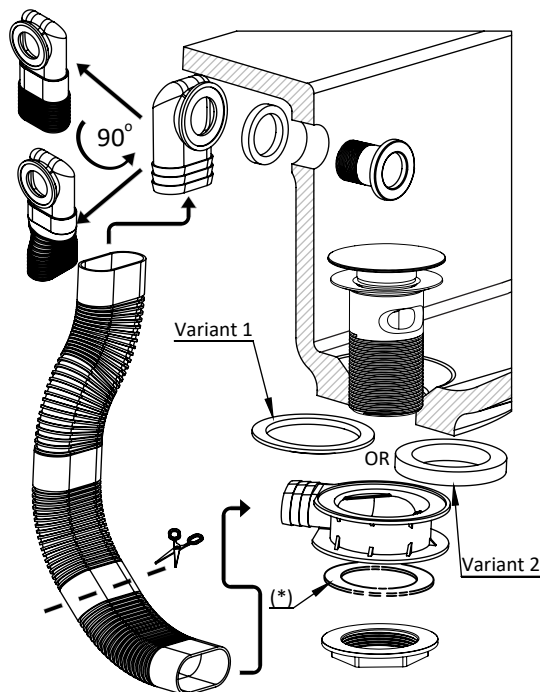
Dimensions - Isocast 1200 Basin



Overflow Kit Rating:  
(15 Litres Per Min)

CL25  
Ref: SP12018

Isocast Basin Overflow Kit Diagram



This diagram is on all packaging for Isocast basin overflow kits. Refer to this artwork.

## FAQ's

**Q:** Do the drawer fronts come pre-drilled for the handles?

**A:** No. But the units are supplied with templates for drilling holes for all handles

**Q:** Can I use any Scheme handle with any System unit?

**A:** No, please see the table below to find which handles are compatible with each unit.

**Q:** Do the isocast basins have integrated overflows?

**A:** No – they come with a kit which should be cut to length and checked fully for any leaks.

Code	Description	500	600	800	1200	Hole Centres (mm)	Handle Overall (mm)
<b>FRONT MOUNTED DRAWER HANDLES</b>							
SCHH01C.160	Scheme Handle 01 Chrome 160	✓	✓	✓	✓	160	280
SCHH01C.256	Scheme Handle 01 Chrome 256	✗	✗	✓	✓	256	446
SCHH02C.256	Scheme Handle 02 Chrome 256	✓	✓	✓	✓	256	280
SCHH02C.384	Scheme Handle 02 Chrome 384	✗	✓	✓	✓	384	408
SCHH03C.352	Scheme Handle 03 Chrome 352	✓	✓	✓	✓	352	400
SCHH04B.320	Scheme Handle 04 Black 320	✗	✓	✓	✓	320	329
SCHH04B.492	Scheme Handle 04 Black 492	✗	✗	✓	✓	492	501
SCHH04C.320	Scheme Handle 04 Chrome 320	✗	✓	✓	✓	320	329
SCHH04C.492	Scheme Handle 04 Chrome 492	✗	✗	✓	✓	492	501
SCHH06C.192	Scheme Handle 06 Chrome 192	✓	✓	✓	✓	192	232
SCHH07C.240	Scheme Handle 07 Chrome 240	✓	✓	✓	✓	240	258
SCHH08C.128	Scheme Handle 08 Chrome 128	✓	✓	✓	✓	128	220
SCHH08C.224	Scheme Handle 08 Chrome 224	✗	✓	✓	✓	224	414
<b>DRAWER TOP HANDLES</b>							
SCHH05C.315	Scheme Handle 05 DRW Top	✓	✗	✗	✗	N/A	315
SCHH05C.410	Scheme Handle 05 DRW Top	✗	✓	✗	✗	N/A	410
SCHH05C.610	Scheme Handle 05 DRW Top	✗	✗	✓	✗	N/A	610
SCHH05C.420	Scheme Handle 05 DRW Top	✗	✗	✗	✓	N/A	420

**Q:** Can the System basins be wallmounted?

**A:** Yes, but fixings are not supplied. Fischer fixing bolts should be used into a suitable solid wall.

**Q:** Do the units have a plumbing void?

**A:** Only the 1200 unit has one. For 500, 600 and 800 - no, the plumbing comes straight through.

**Q:** Are any worktops available for the System units?

**A:** No, not in the current range.

**Q:** Why do the side panels look like a different colour compared to the front?

**A:** All panels are made of the same material and painted (or PVC-wrapped) with the same colour, so the difference comes from the way the light falls on the curved faces.

**Q:** Why does the grain on the drawers not match?

**A:** Due to the manufacturing technique used for the finishing of the units, a complete match of the grain is impossible.

## FAQ's

**\*before any adjustments, the locking screws should be loosened**

Q: How do I adjust the drawers horizontally?

A: You tighten the screw on the respective side to push in the needed direction and release the pressure by untightening the screw on the opposite end. Example: To move drawer in the right direction, tighten screw on right hand side and loosen screw on the left hand side of drawer.\*

Q: Why are the drawers not closing properly?

A: Check that overflow kit has been cut properly, in case they are clashing. Refer to furniture instructions.

Q: My drawer is not fully closing. Why?

A: It may be that the drawer box has not been fully clicked back into place after the drawer has been removed. This is easiest to do when the drawer is fully extended and the drawer runner can be pushed into the back of the drawer, to hear an audible click (see instructions).