

Technical Data Sheet

ROPER RHODES®

Cranborne Pillar Mounted Bath Filler - T313202

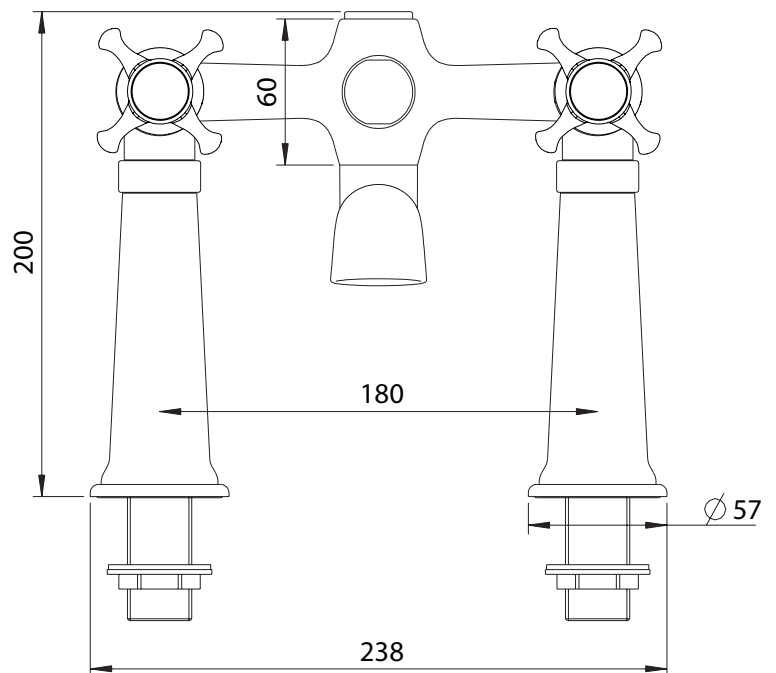
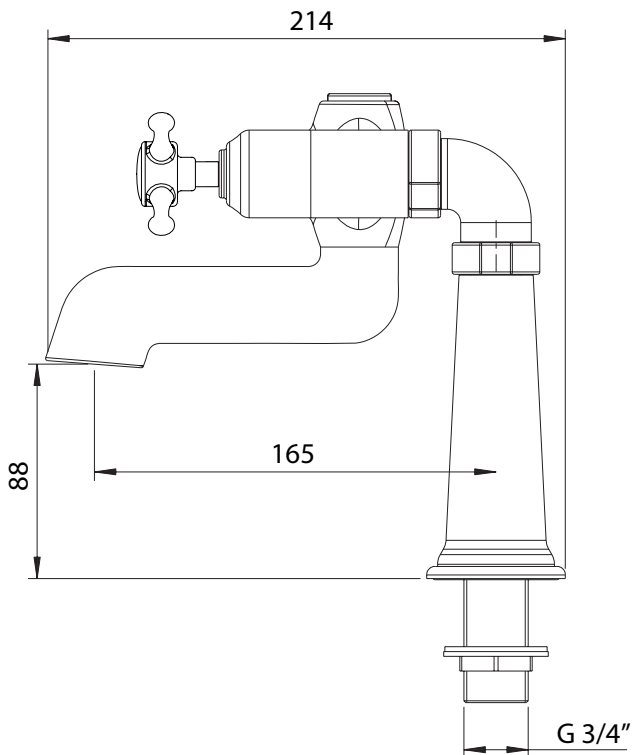
No.	Description	Code	Fixings Included
1	Cranborne Pillar Mounted Bath Filler	T313202	YES



Min Pressure:	0.2bar
0.2bar	13.7 litres / min
0.3bar	18 litres / min
0.4bar	21 litres / min
0.5bar	23.5 litres / min
1bar	34 litres / min
2bar	48 litres / min

Dimensions:

Diagrams not to scale. All dimensions in mm (tolerance of +/-5mm)



*Dimensions are subject to change, customers are advised to measure actual product before commencing installation.

FAQs

What is the size of the bath filler threaded connection? The threaded connectors have a standard 3/4" BSP fixing.