

Technical Data Sheet

ROPER RHODES®

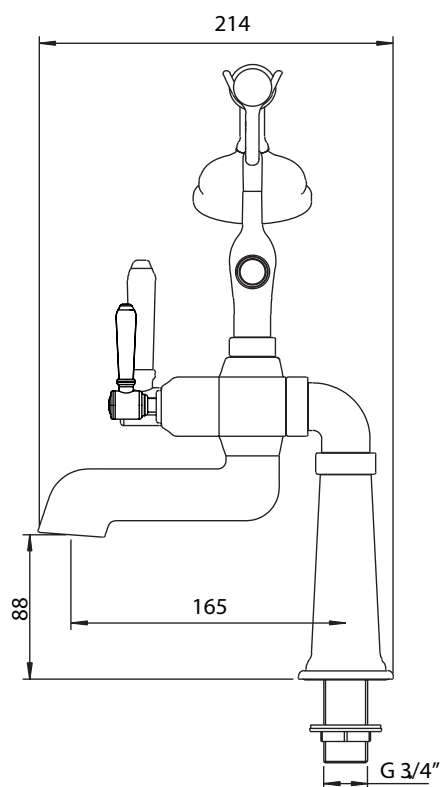
Keswick Pillar Mounted Bath Shower Mixer - T324202

No.	Description	Code	Fixings Included
1	Keswick Pillar Mounted Bath Shower Mixer	T324202	YES

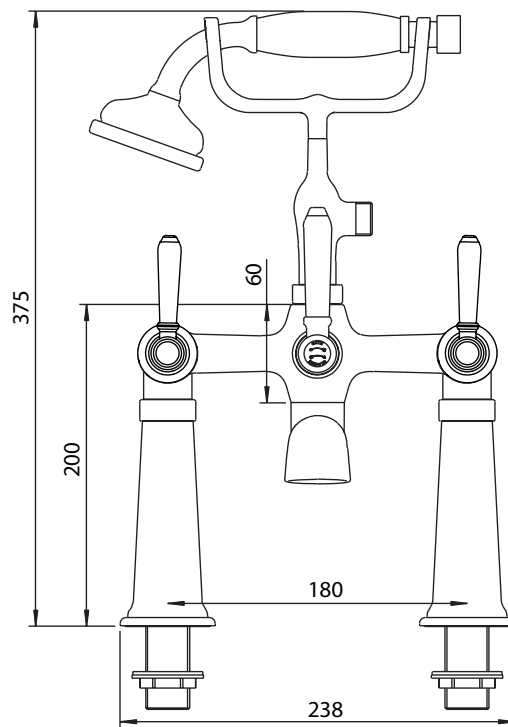


Min Pressure:	0.2bar
0.2bar	10 litres / min
0.3bar	13 litres / min
0.4bar	15 litres / min
0.5bar	17 litres / min
1bar	25 litres / min
2bar	35 litres / min

Dimensions:



Diagrams not to scale. All dimensions in mm (tolerance of +/-5mm)



*Dimensions are subject to change, customers are advised to measure actual product before commencing installation.

FAQs

What is the size of the bath filler threaded connection? The threaded connectors have a standard 3/4" BSP fixing.

What is the size of the shower hose threaded connection? The threaded connectors have a standard 1/2" BSP thread.