

ROPER RHODES®

Technical Data Sheet

Keswick Mini Basin Mixer with Click Waste

T326102(Chrome) T326104 (Brass)

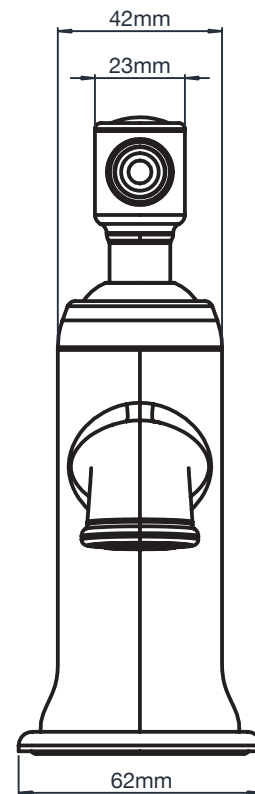
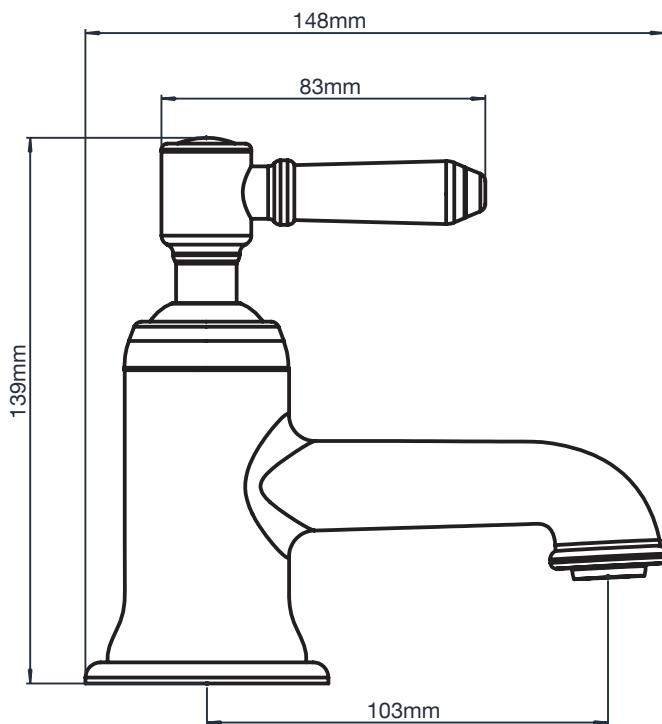


FLOW RATE DATA IS TESTED UNDER LABORATORY CONDITIONS: ACTUAL FLOW RATE MAY VARY DEPENDING ON DOMESTIC SUPPLY AND ACCESSORIES

Minimum Pressure:	0.2 BAR
Pressure:	Flow Rate (l/min)
0.2 BAR	4.6
0.3 BAR	5.1
0.5 BAR	6
1 BAR	8.5

Dimensions

Diagrams not to scale. All dimensions in mm (tolerance of +/-5mm)



FAQs

What is the recommended operating pressure? 0.2 bar

What is the size of the connections? The basin mixer is supplied with flexible hoses with a 1/2" BSP 15mm pipe compression fitting

What size pipework do I need? 15mm

Can the aerator be replaced? Yes, the aerator is removable for cleaning and replacement

Is a click waste supplied with the product? Yes