

ROPER RHODES®

Technical Data Sheet

Keswick Mini Basin Mixer with Click Waste

T327902 (Chrome) T327904 Brass

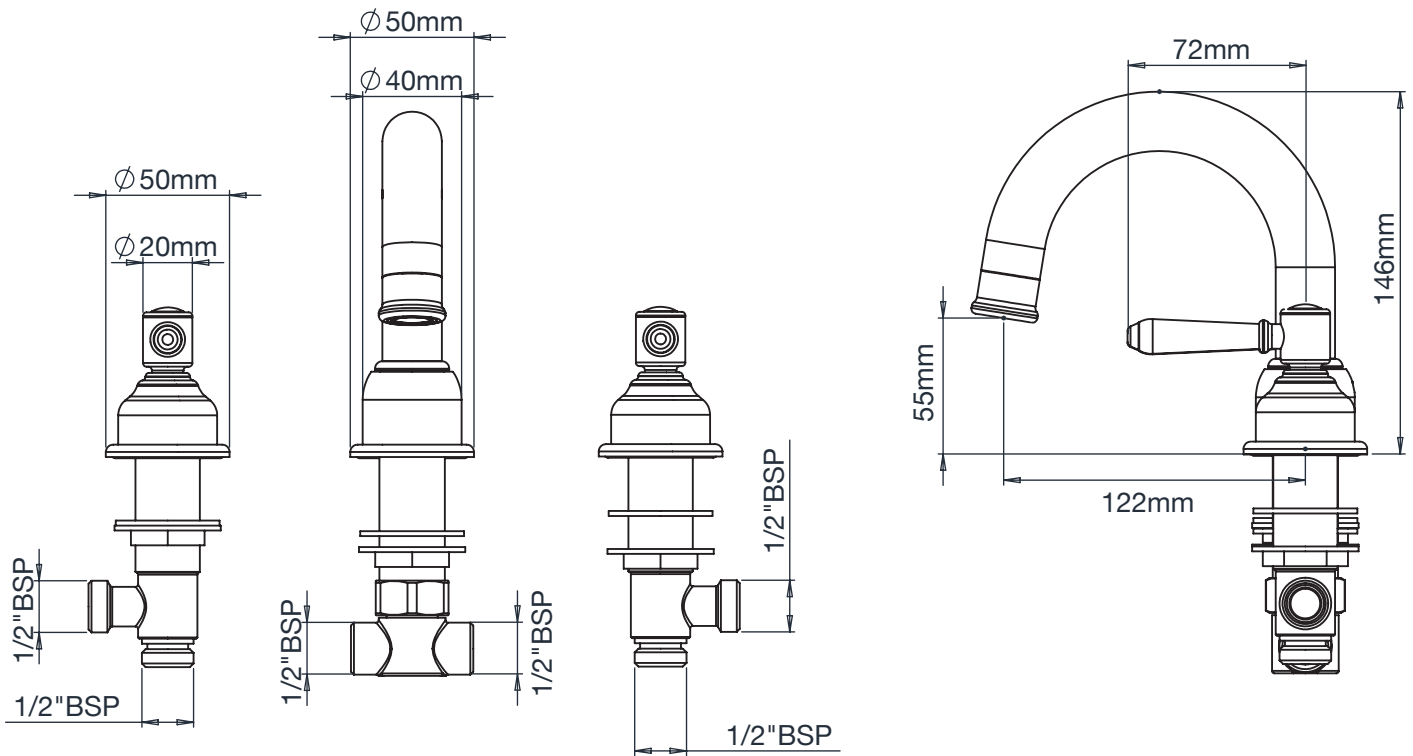


FLOW RATE DATA IS TESTED UNDER LABORATORY CONDITIONS: ACTUAL FLOW RATE MAY VARY DEPENDING ON DOMESTIC SUPPLY AND ACCESSORIES

Minimum Pressure:	0.1 BAR
Pressure:	Flow Rate (l/min)
0.1 BAR	7
0.2 BAR	10.5
0.3 BAR	12
0.5 BAR	15
1 BAR	17

Dimensions

Diagrams not to scale. All dimensions in mm (tolerance of +/-5mm)



FAQs

What is the recommended operating pressure? 0.1 bar

What is the size of the connections? The valve uses 1/2" connections for both inlets and outlets

What size Pipework do i need? 15mm

How are the two temperature controls connected to the spout? Flexible hoses are supplied to make the connection to the spout

Can the hot and cold valves be positioned wherever I want? There are British Standard minimum distances between the handles and spout, but this can be adjusted as per your installation