

Technical Data Sheet

ROPER RHODES®

Storm Nova Freestanding Bath Shower Mixer

Chrome - T461902, Black - T461903, Brass - T461904

No.	Description	Code	Fixings Included
1	Storm Nova Freestanding Bath Shower Mixer	T461902, T461903, T461904	YES



Chrome Plated



Black PVD
(physical vapour deposition)



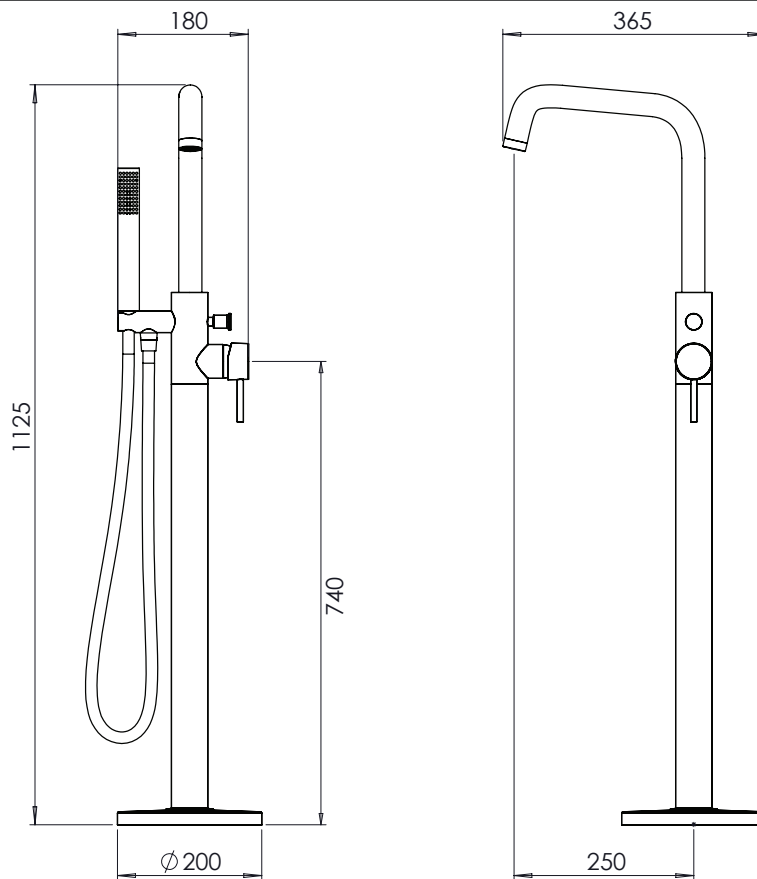
Brass PVD
(physical vapour deposition)

FLOW RATE DATA IS TESTED UNDER LABORATORY CONDITIONS: ACTUAL FLOW RATE MAY VARY DEPENDING ON DOMESTIC SUPPLY AND ACCESSORIES

Pressure:	Flow Rate:
0.1bar	3 litres / min
0.3bar	5.3 litres / min
0.5bar	6.3 litres / min
1bar	8.63 litres / min
3bar	14.5 litres / min
5bar	18.6 litres / min

Dimensions:

Diagrams not to scale. All dimensions in mm (tolerance of +/-5mm)



*Dimensions are subject to change, customers are advised to measure actual product before commencing installation.

FAQs

What is the size of the tap tail connection? The tap tails have a standard 1/2" BSP captive nut hose fitting

What bore is the tap tail? The tails have a 10mm internal bore.

What length are the tap tails? The tails are 900mm in length.

Does the tap come fitted with an aerator? Yes, the aerator comes pre-installed but can be replaced.

What is the recommended minimum pressure? 1 Bar