

Faber Basin Mixer With Waste

T501102 (Chrome) T501106 (Brushed Nickel) T501108 (Brushed Bronze)

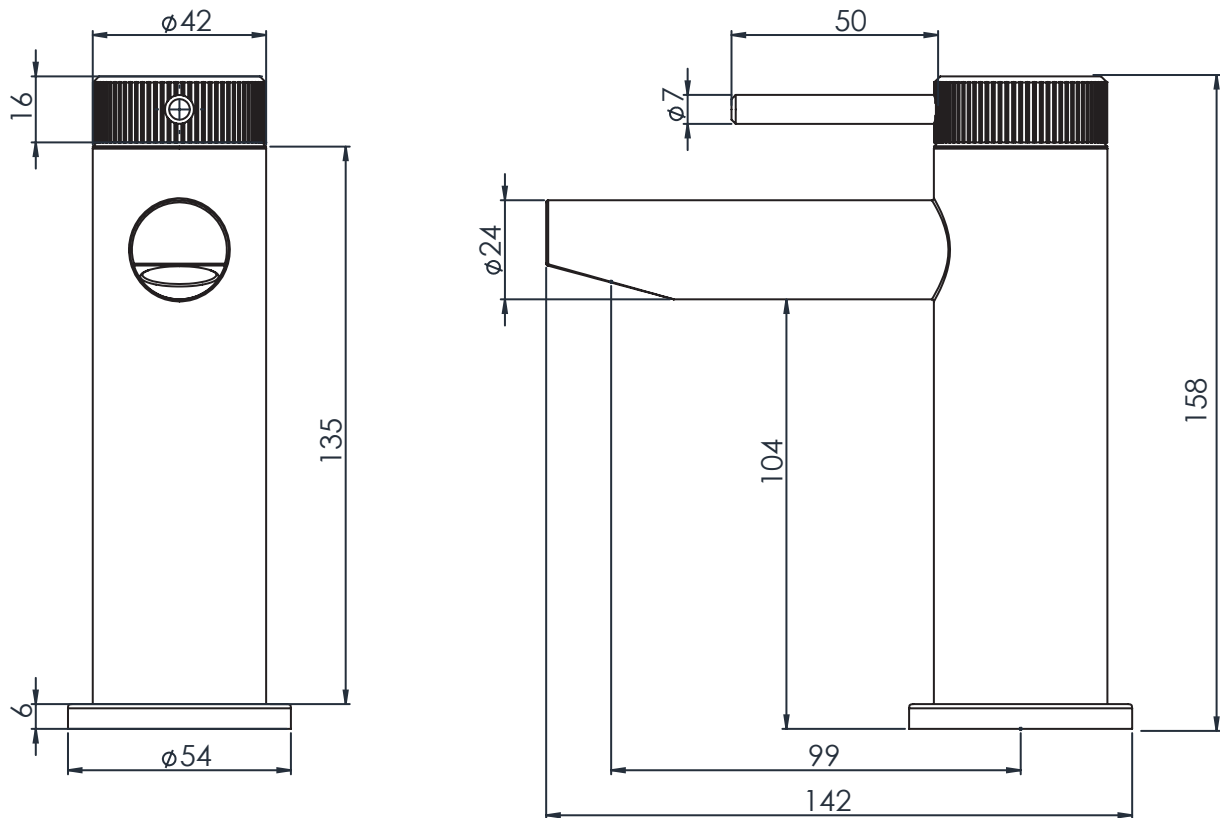
FLOW RATE DATA IS TESTED UNDER LABORATORY CONDITIONS: ACTUAL FLOW RATE MAY VARY DEPENDING ON DOMESTIC SUPPLY AND ACCESSORIES



Minimum Pressure:	0.2 BAR
Pressure:	Flow Rate (l/min)
0.2 BAR	4.6
0.3 BAR	5.4
0.5 BAR	7
1 BAR	9.7

Dimensions

Diagrams not to scale. All dimensions in mm (tolerance of +/-5mm)



FAQs

Does a click waste come with this product? Yes, a click-waste is supplied with this product.

What plumbing connections are supplied with this product? 1/2" BSP compression fitting braided hoses are supplied.

How should I clean this product? We recommend using only a damp cloth and warm water. Do NOT use abrasive cleaning products.