

Technical Data Sheet

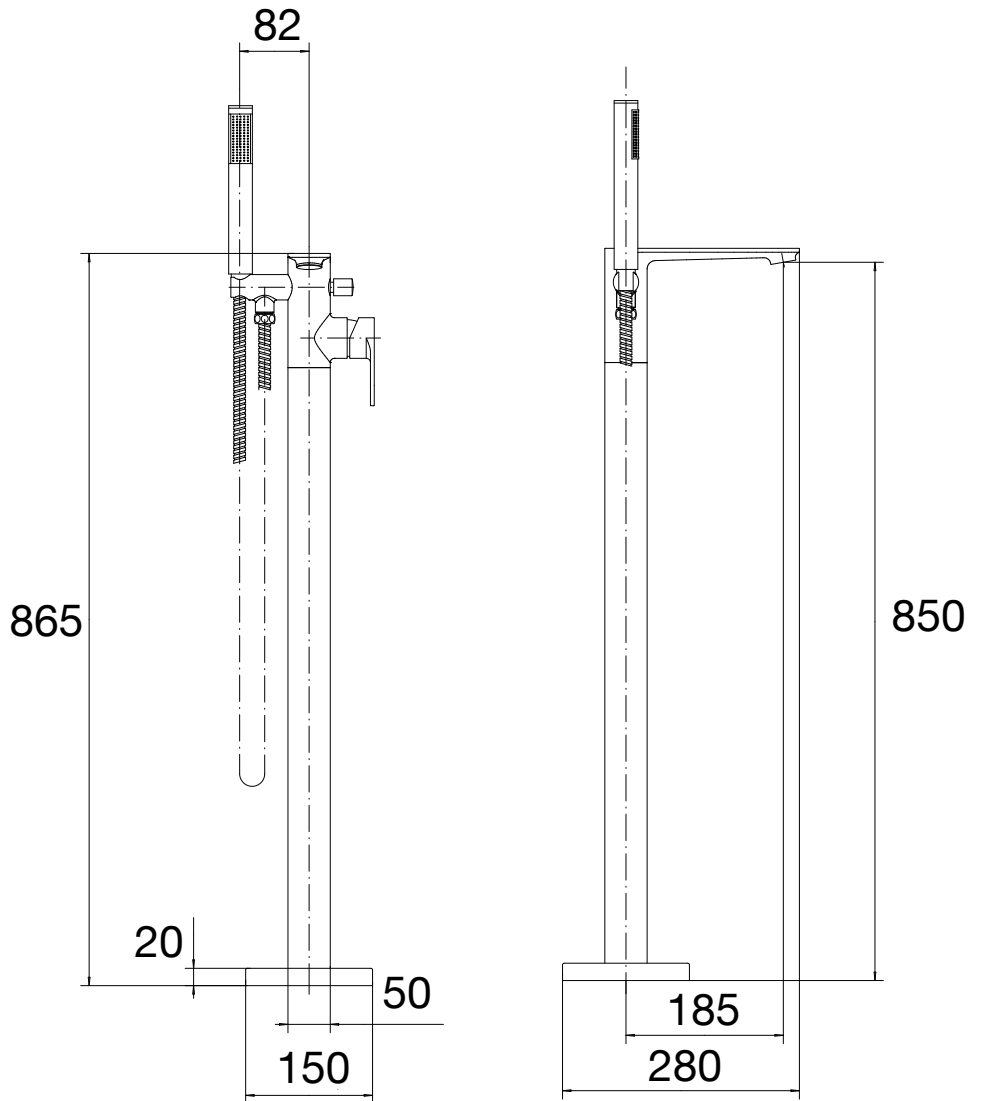
Fuse Freestanding Bath Shower Mixer - TR1087



| No. | Description | Code | Fixings Included |
|-----|-------------------------------------|--------|------------------|
| 1 | Fuse Freestanding Bath Shower Mixer | TR1087 | YES |

Dimensions - TR1087

Diagrams not to scale. All dimensions in mm (tolerance of +/-5mm)



| | |
|---------------|-------------------|
| Min Pressure: | 1 bar |
| 0.2bar | 4.8 litres / min |
| 0.3bar | 5.8 litres / min |
| 0.4bar | 6.5 litres / min |
| 0.5bar | 7.3 litres / min |
| 1bar | 10.3 litres / min |
| 2bar | 14.5 litres / min |

*Dimensions are subject to change, customers are advised to measure actual product before commencing installation.

FAQs

- What is the size of the tap tail connection?** The tap tails have a standard 1/2" BSP compression fitting
- What bore is the tap tail?** The tails have a 10mm internal bore.
- What length are the tap tails?** The tails are 900mm in length.
- Does the tap come fitted with an aerator?** Yes, the aerator comes pre-installed but can be replaced.