

# Technical Data Sheet

Ergo Tall Basin Mixer Black - TR1091



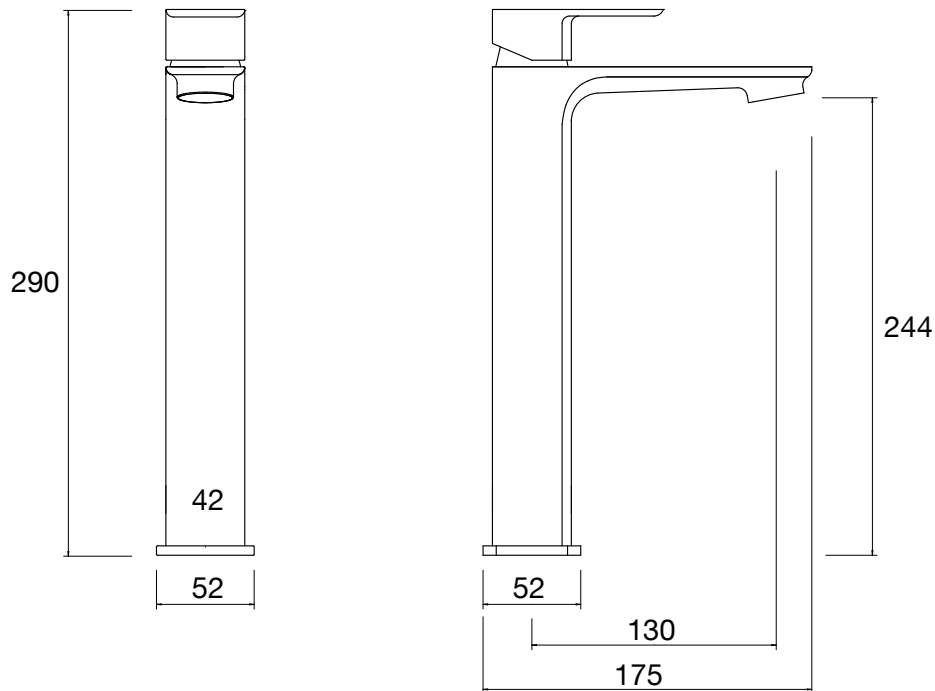
No.	Description	Code	Fixings Included
1	Ergo Tall Basin Mixer Black	TR1091	YES



Min Pressure:	0.3bar
0.2bar	5.3 litres / min
0.3bar	6.2 litres / min
0.4bar	7.5 litres / min
0.5bar	10.3 litres / min
1bar	15.4 litres / min
2bar	19.2 litres / min

## Dimensions - TR1091

Diagrams not to scale. All dimensions in mm (tolerance of +/-5mm)



\*Dimensions are subject to change, customers are advised to measure actual product before commencing installation.

## FAQs

**What is the size of the tap tail connection?** The tap tails have a standard 1/2" BSP compression fitting

**What bore is the tap tail?** The tails have a 10mm internal bore.

**What length are the tap tails?** The tails are 600mm in length.

**Does the tap come fitted with an aerator?** Yes, the aerator comes pre-installed but can be replaced.