

Technical Data Sheet

Fuse Bath Shower Mixer Black - TR1099



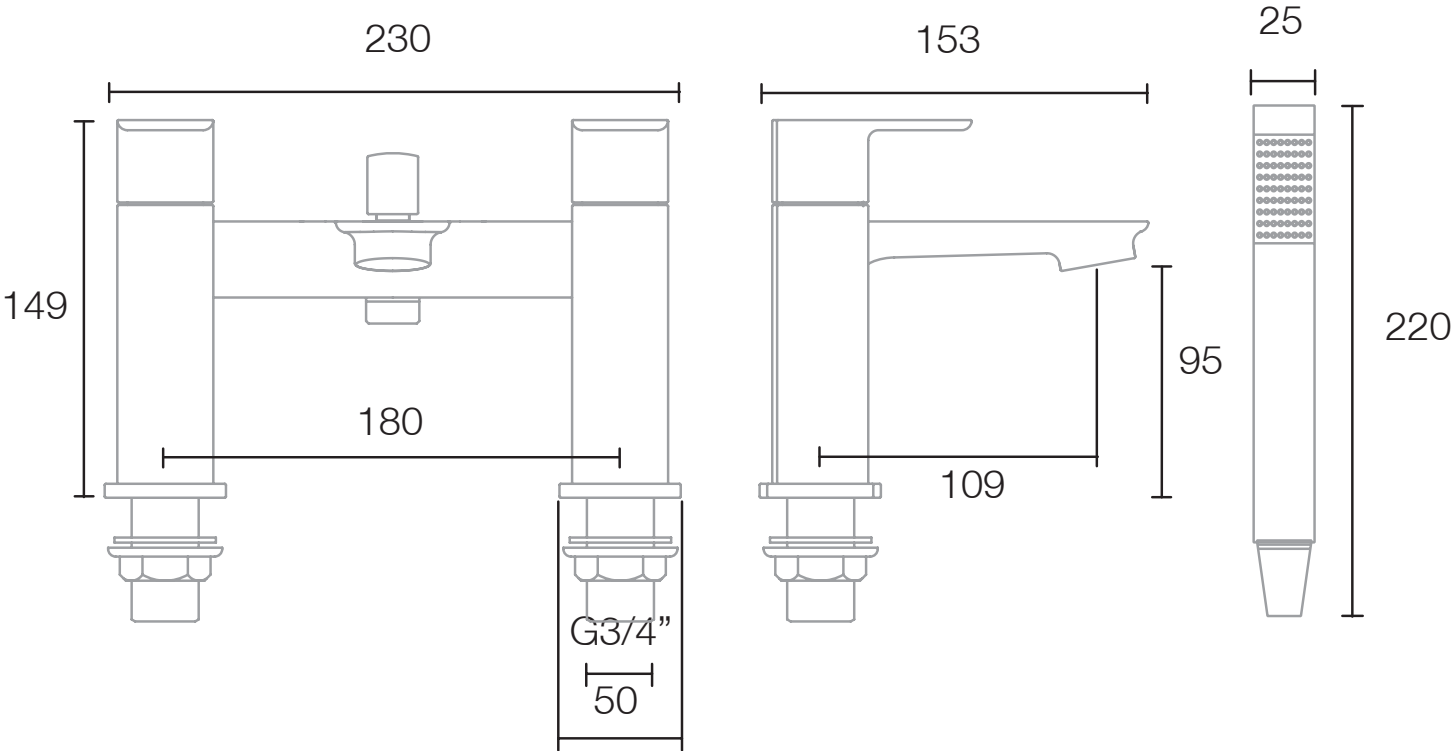
No.	Description	Code	Fixings Included
1	Fuse Bath Shower Mixer Black	TR1099	YES



Min Pressure:	0.3bar
0.2bar	8.5 litres / min
0.3bar	11.5 litres / min
0.4bar	14.7 litres / min
0.5bar	22.3 litres / min
1bar	31.5 litres / min
2bar	36.8 litres / min

Dimensions - TR1099

Diagrams not to scale. All dimensions in mm (tolerance of +/-5mm)



*Dimensions are subject to change, customers are advised to measure actual product before commencing installation.

FAQs

Does the tap come fitted with an aerator? Yes, the aerator comes pre-installed but can be replaced.

What size plumbing fittings are needed for the threaded legs? This product will work with standard 3/4" plumbing fittings.

What size are the connections for the shower hose? The threaded connections on the shower hose are a standard 1/2" BSP connection.