

# Technical Data Sheet

Ergo Basin Mixer Brass - TR1102



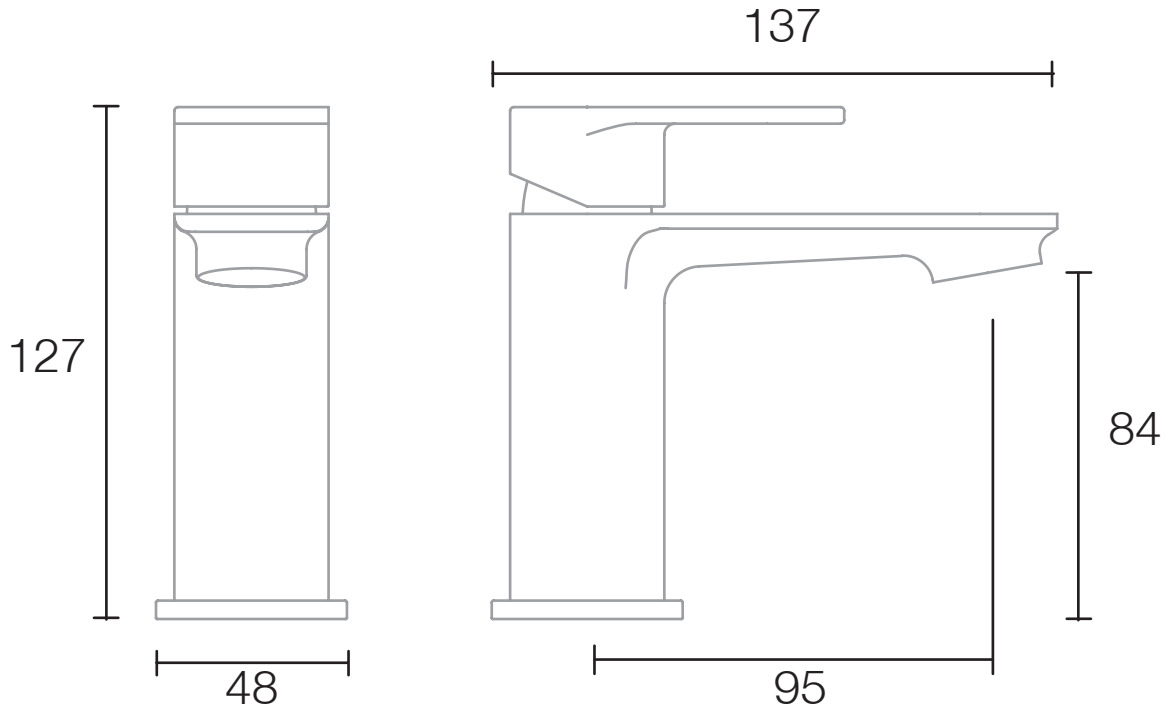
No.	Description	Code	Fixings Included
1	Ergo Mini Basin Mixer Brass	TR1102	YES



Min Pressure:	0.3bar
0.2bar	5 litres / min
0.3bar	6 litres / min
0.4bar	7.2 litres / min
0.5bar	9.9 litres / min
1bar	14.3 litres / min
2bar	17.7 litres / min

## Dimensions - TR1102

Diagrams not to scale. All dimensions in mm (tolerance of +/-5mm)



\*Dimensions are subject to change, customers are advised to measure actual product before commencing installation.

## FAQs

**What is the size of the tap tail connection?** The tap tails have a standard 1/2" BSP compression fitting

**What bore is the tap tail?** The tails have a 10mm internal bore.

**What length are the tap tails?** The tails are 300mm in length.

**Does the tap come fitted with an aerator?** Yes, the aerator comes pre-installed but can be replaced.