

Technical Data Sheet

Ergo Tall Basin Mixer Brass - TR1103



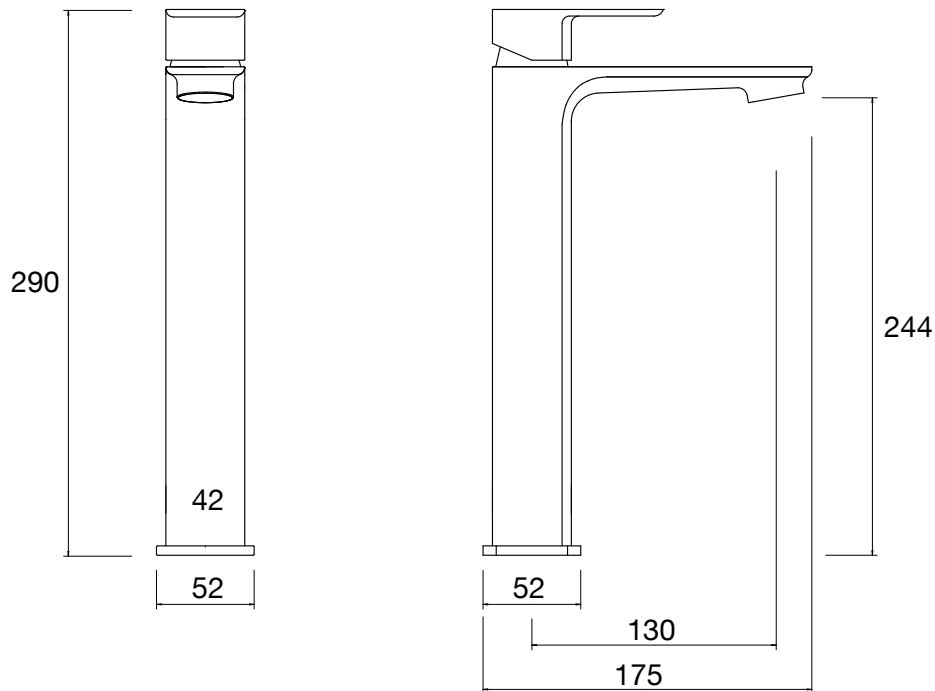
No.	Description	Code	Fixings Included
1	Ergo Tall Basin Mixer Brass	TR1103	YES



Min Pressure:	0.3bar
0.2bar	5.3 litres / min
0.3bar	6.2 litres / min
0.4bar	7.5 litres / min
0.5bar	10.3 litres / min
1bar	15.4 litres / min
2bar	19.2 litres / min

Dimensions - TR1103

Diagrams not to scale. All dimensions in mm (tolerance of +/-5mm)



*Dimensions are subject to change, customers are advised to measure actual product before commencing installation.

FAQs

What is the size of the tap tail connection? The tap tails have a standard 1/2" BSP compression fitting

What bore is the tap tail? The tails have a 10mm internal bore.

What length are the tap tails? The tails are 600mm in length.

Does the tap come fitted with an aerator? Yes, the aerator comes pre-installed but can be replaced.