

# Technical Data Sheet

Fuse Bath Filler Brass - TR1110



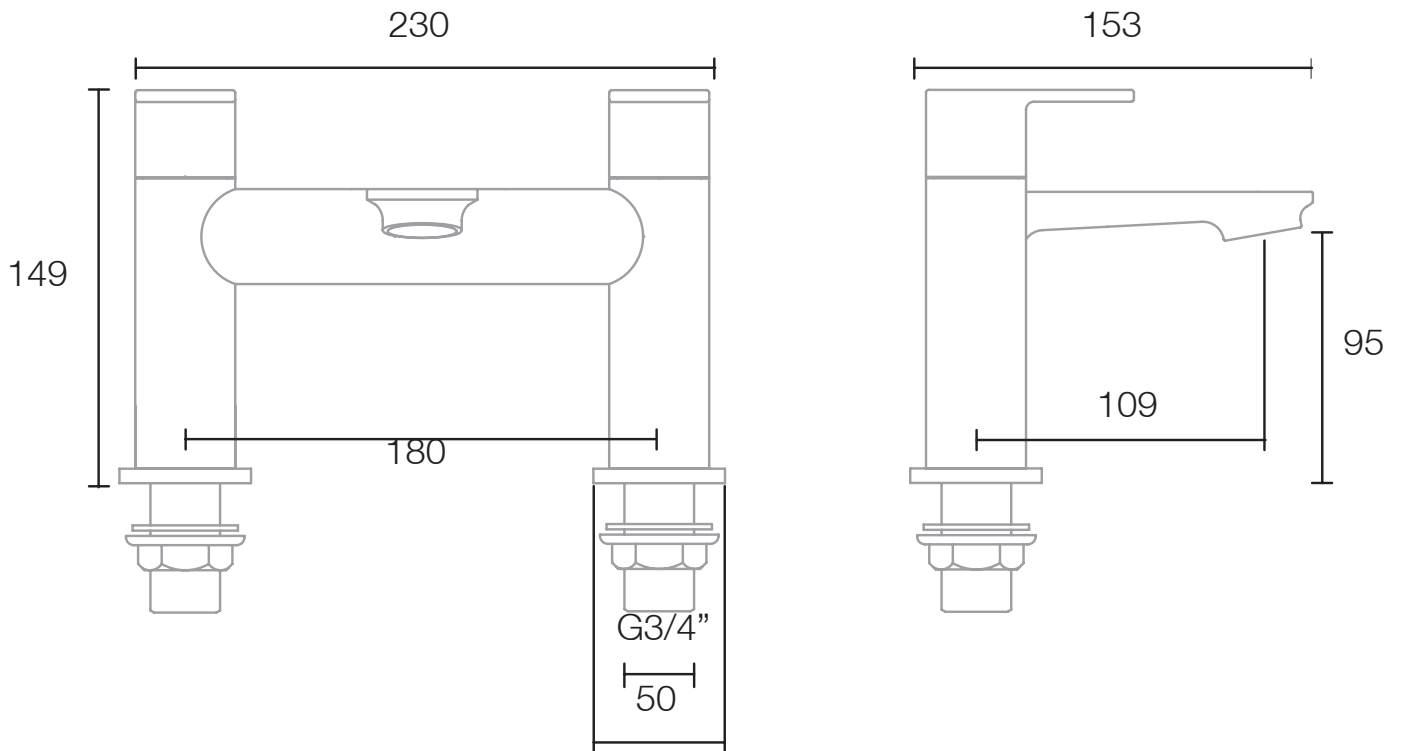
No.	Description	Code	Fixings Included
1	Fuse Bath Filler Brass	TR1110	YES



Min Pressure:	0.3bar
0.2bar	9.3 litres / min
0.3bar	11.8 litres / min
0.4bar	15.5 litres / min
0.5bar	22.5 litres / min
1bar	33.2 litres / min
2bar	38 litres / min

## Dimensions - TR1110

Diagrams not to scale. All dimensions in mm (tolerance of +/-5mm)



\*Dimensions are subject to change, customers are advised to measure actual product before commencing installation.

## FAQs

**Does the tap come fitted with an aerator?** Yes, the aerator comes pre-installed but can be replaced.

**What size plumbing fittings are needed for the threaded legs?** This product will work with standard 3/4" plumbing fittings.