

Technical Data Sheet

Halcyon Basin Mixer - TR1114 (Chrome), TR1120 (Brass)



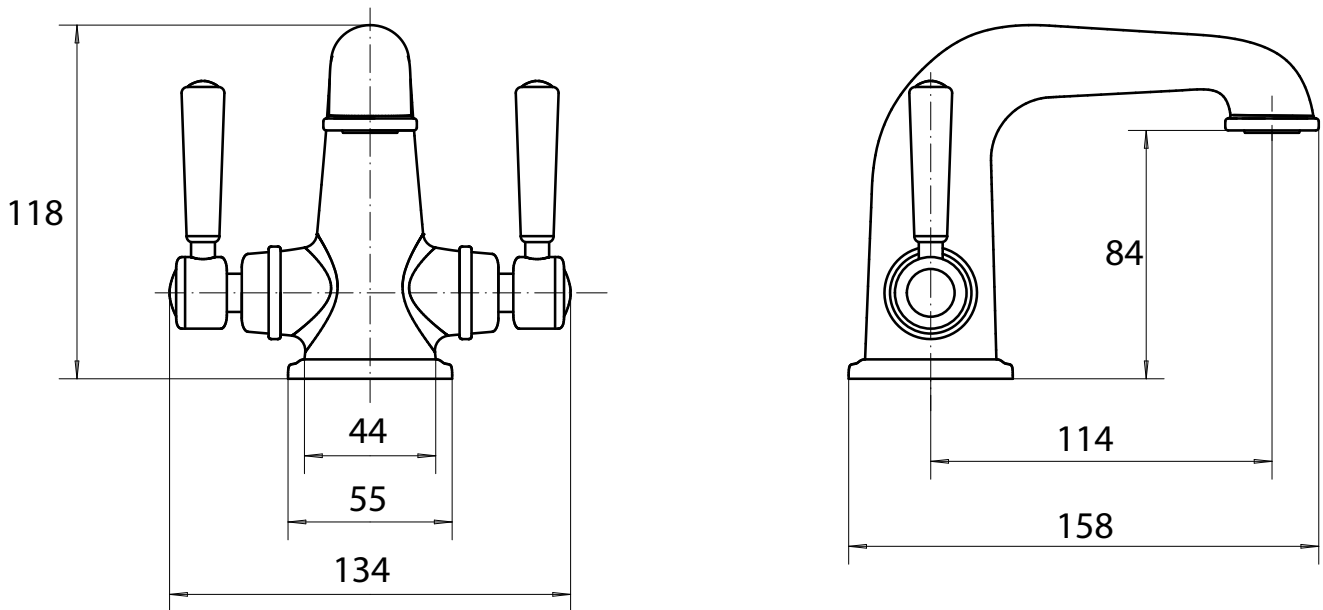
No.	Description	Code	Fixings Included
1	Halcyon Basin Mixer	TR1114, TR1120	YES



Min Pressure:	0.2bar
0.2bar	4.8 litres / min
0.5bar	7.0 litres / min
1bar	9.7 litres / min
2bar	13.4 litres / min
3bar	16.3 litres / min

Dimensions

Diagrams not to scale. All dimensions in mm (tolerance of +/-5mm)



*Dimensions are subject to change, customers are advised to measure Actual product before commencing installation.

FAQs

What is the size of the tap tail connection? The tap tails have a 15mm compression fitting

What bore is the tap tail? The tails have a 10mm internal bore.

What length are the tap tails? The tails are 300mm in length.

Does the tap come fitted with an aerator? Yes, the aerator comes pre-installed but can be replaced.