

# Technical Data Sheet

Halcyon Mono Basin Mixer - TR1116 (Chrome), TR1122 (Brass)



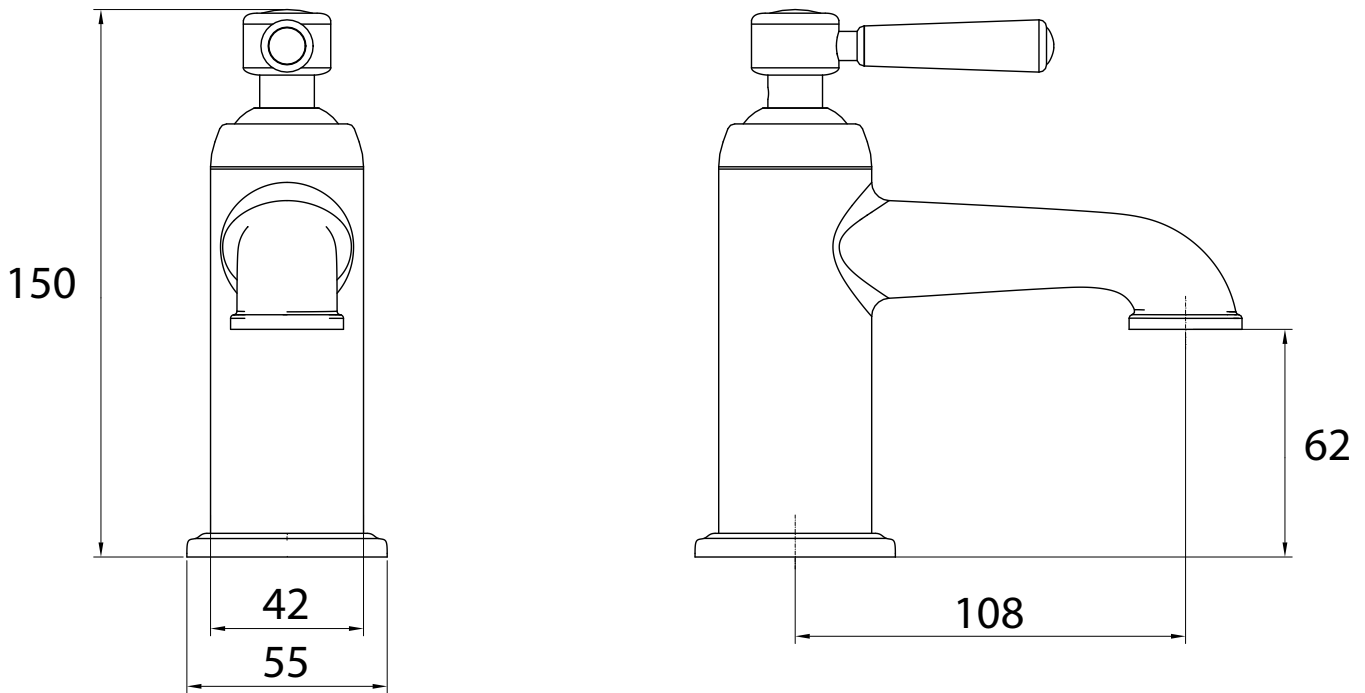
No.	Description	Code	Fixings Included
1	Halcyon Mono Basin Mixer	TR1116, TR1122	YES



Min Pressure:	0.2bar
0.2bar	4.1 litres / min
0.5bar	6.1 litres / min
1bar	8.4 litres / min
2bar	11.7 litres / min
3bar	14.3 litres / min

## Dimensions

Diagrams not to scale. All dimensions in mm (tolerance of +/-5mm)



\*Dimensions are subject to change, customers are advised to measure Actual product before commencing installation.

## FAQs

**What is the size of the tap tail connection?** The tap tails have a 15mm compression fitting

**What bore is the tap tail?** The tails have a 10mm internal bore.

**What length are the tap tails?** The tails are 300mm in length.

**Does the tap come fitted with an aerator?** Yes, the aerator comes pre-installed but can be replaced.