

Technical Data Sheet

Fuse Basin Mixer - TR1021



No.	Description	Code	Fixings Included
1	Fuse Basin Mixer	TR1021	YES

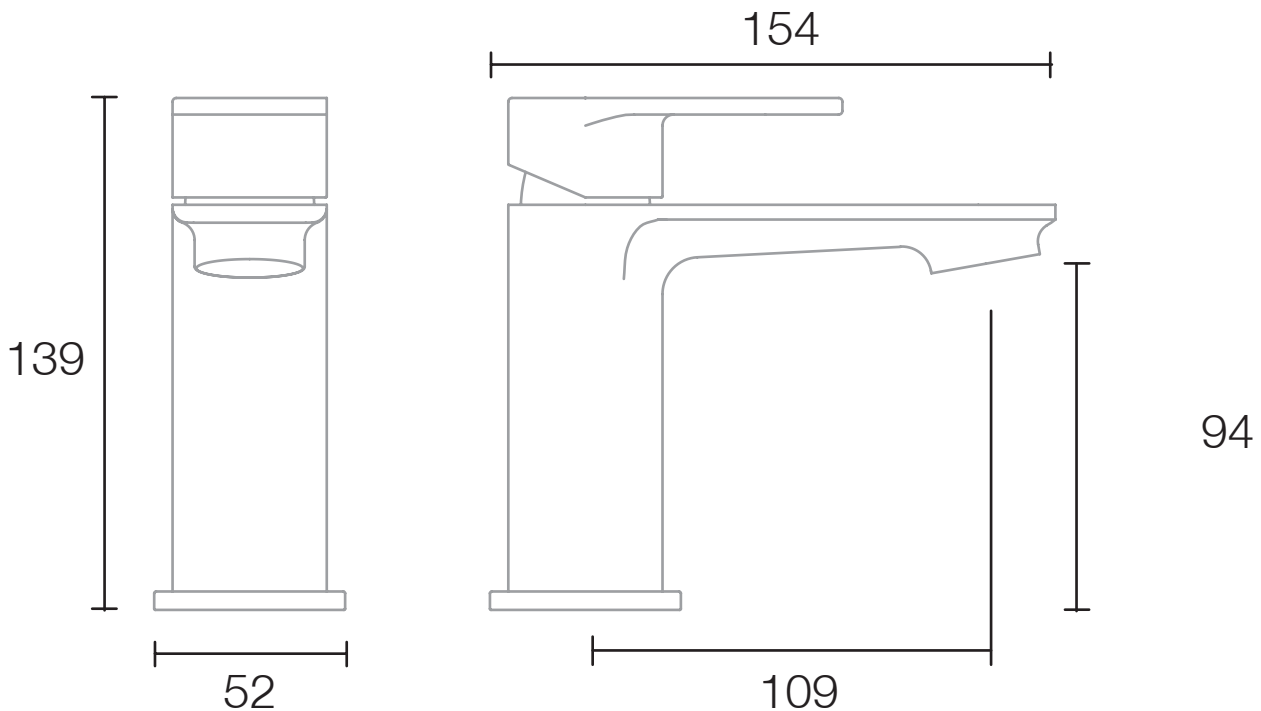


FLOW RATE DATA IS TESTED UNDER LABORATORY CONDITIONS: ACTUAL FLOW RATE MAY VARY DEPENDING ON DOMESTIC SUPPLY AND ACCESSORIES

Pressure:	Flow Rate:
0.2bar	4.7 litres / min
0.3bar	6 litres / min
0.4bar	7.5 litres / min
0.5bar	9.9 litres / min
1bar	14.5 litres / min
2bar	17.8 litres / min

Dimensions - TR1021

Diagrams not to scale. All dimensions in mm (tolerance of +/-5mm)



*Dimensions are subject to change, customers are advised to measure actual product before commencing installation.

FAQs

What is the size of the tap tail connection? The tap tails have a standard 1/2" BSP fixing.

What bore is the tap tail? The tails have a 10mm internal bore.

What length are the tap tails? The tails are 300mm in length.

Does the tap come fitted with an aerator? Yes, the aerator comes pre-installed but can be replaced.

What is the recommended minimum pressure? 0.3 Bar

Technical Data Sheet

Fuse Mini Basin Mixer - TR1022



No.	Description	Code	Fixings Included
1	Fuse Mini Basin Mixer	TR1022	YES

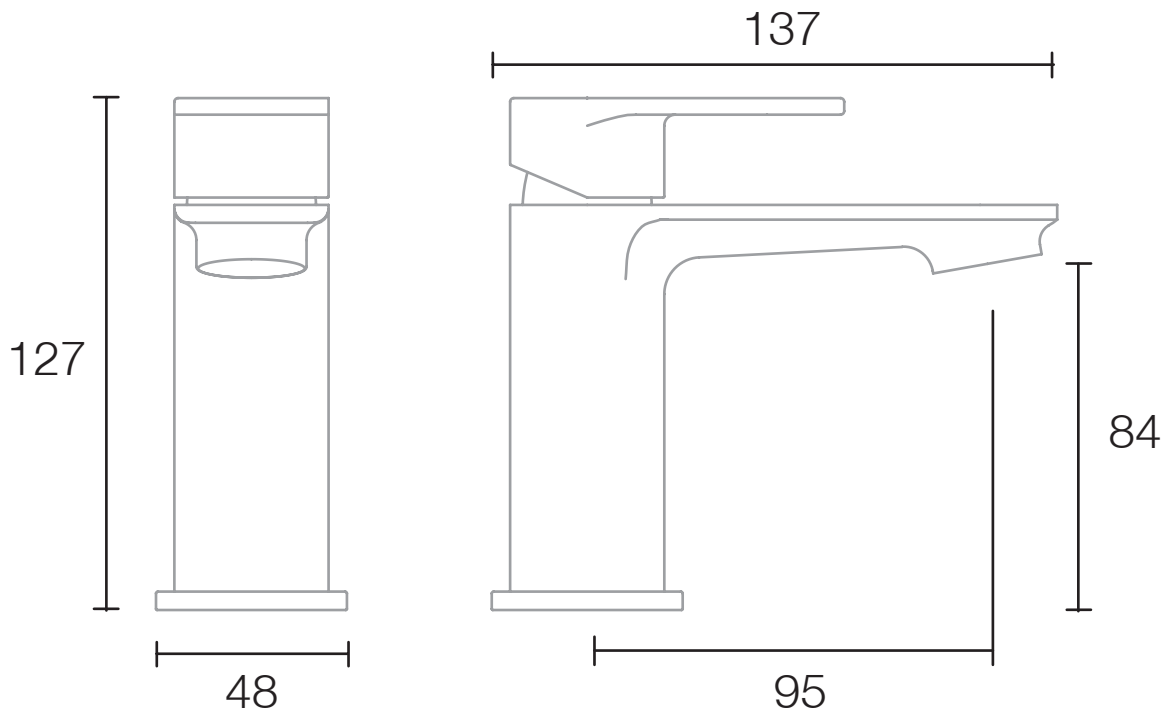


FLOW RATE DATA IS TESTED UNDER LABORATORY CONDITIONS: ACTUAL FLOW RATE MAY VARY DEPENDING ON DOMESTIC SUPPLY AND ACCESSORIES

Pressure:	Flow Rate:
0.2bar	4.6 litres / min
0.3bar	5.9 litres / min
0.4bar	6.9 litres / min
0.5bar	9.7 litres / min
1bar	14.3 litres / min
2bar	17.5 litres / min

Dimensions - TR1022

Diagrams not to scale. All dimensions in mm (tolerance of +/-5mm)



*Dimensions are subject to change, customers are advised to measure actual product before commencing installation.

FAQs

What is the size of the tap tail connection? The tap tails have a standard 1/2" BSP fixing.

What bore is the tap tail? The tails have a 10mm internal bore.

What length are the tap tails? The tails are 300mm in length.

Does the tap come fitted with an aerator? Yes, the aerator comes pre-installed but can be replaced.

What is the recommended minimum pressure? 0.3 Bar

Technical Data Sheet

Fuse Bath Filler - TR1023



No.	Description	Code	Fixings Included
1	Fuse Bath Filler	TR1023	YES



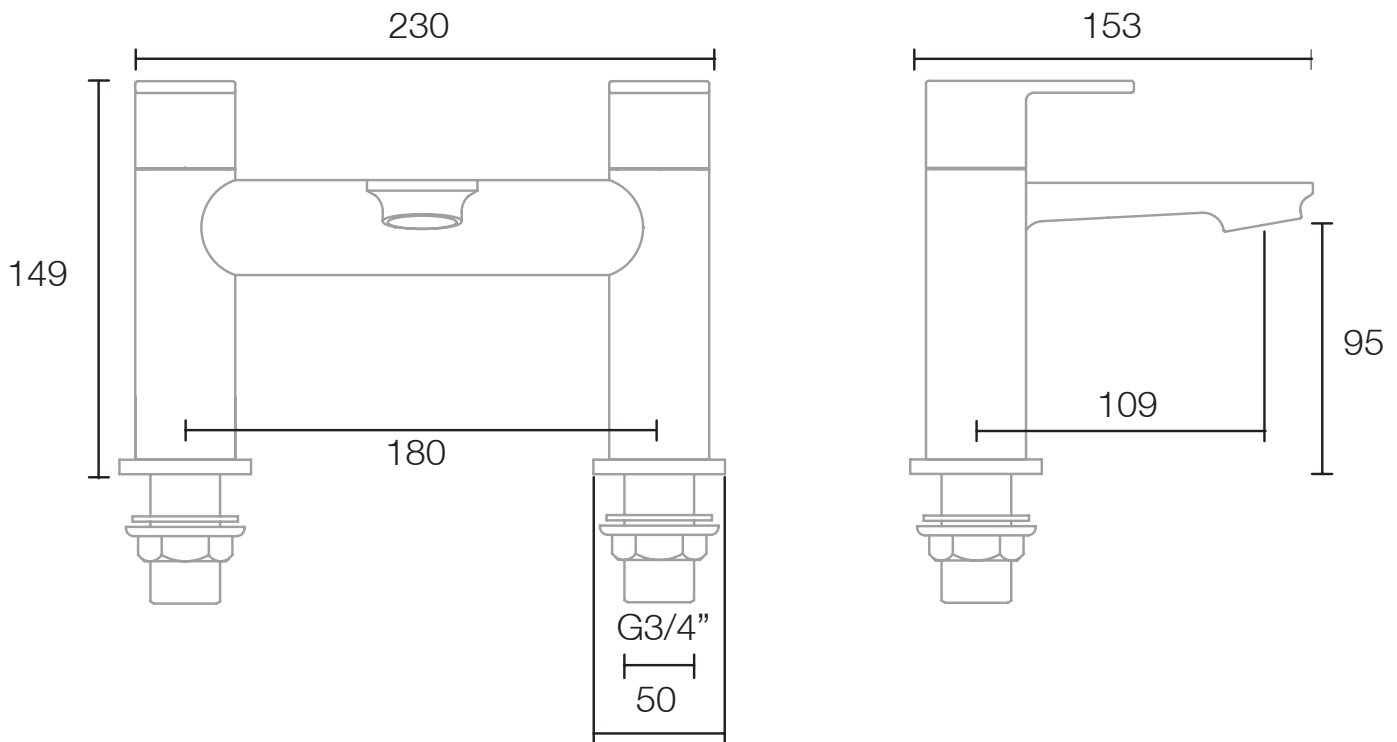
Chrome Plated

FLOW RATE DATA IS TESTED UNDER LABORATORY CONDITIONS: ACTUAL FLOW RATE MAY VARY DEPENDING ON DOMESTIC SUPPLY AND ACCESSORIES

Pressure:	Flow Rate:
0.2bar	9.3 litres / min
0.3bar	11.8 litres / min
0.4bar	15.5 litres / min
0.5bar	22.5 litres / min
1bar	33.2 litres / min
2bar	38 litres / min

Dimensions - TR1023

Diagrams not to scale. All dimensions in mm (tolerance of +/-5mm)



*Dimensions are subject to change, customers are advised to measure actual product before commencing installation.

FAQs

Does the tap come fitted with an aerator? Yes, the aerator comes pre-installed but can be replaced.
What size plumbing fittings are needed for the threaded legs? This product will work with standard 3/4" plumbing fittings.

What is the recommended minimum pressure? 0.3 Bar

Technical Data Sheet

Fuse Bath Shower Mixer - TR1024



No.	Description	Code	Fixings Included
1	Fuse Bath Shower Mixer	TR1024	YES

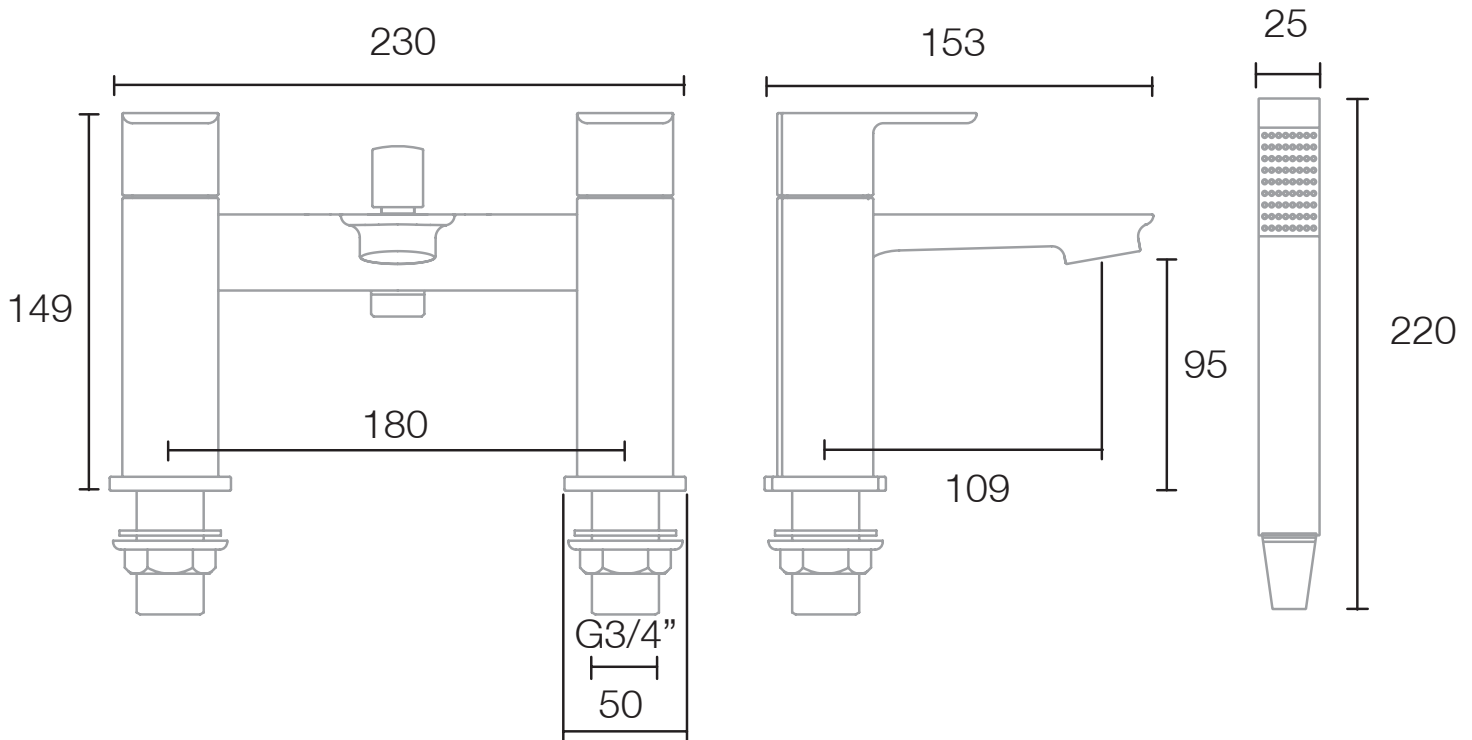


FLOW RATE DATA IS TESTED UNDER LABORATORY CONDITIONS: ACTUAL FLOW RATE MAY VARY DEPENDING ON DOMESTIC SUPPLY AND ACCESSORIES

Pressure:	Flow Rate:
0.2bar	8.5 litres / min
0.3bar	11.5 litres / min
0.4bar	14.7 litres / min
0.5bar	22.3 litres / min
1bar	31.5 litres / min
2bar	36.8 litres / min

Dimensions - TR1024

Diagrams not to scale. All dimensions in mm (tolerance of +/-5mm)



*Dimensions are subject to change, customers are advised to measure actual product before commencing installation.

FAQs

Does the tap come fitted with an aerator?

Yes, the aerator comes pre-installed but can be replaced.

What size plumbing fittings are needed for the threaded legs?

This product will work with standard 3/4" plumbing fittings.

What size are the connections for the shower hose?

The threaded connections on the shower hose are a standard 1/2" BSP connection.

What is the recommended minimum pressure? 0.3 Bar

Technical Data Sheet

Fuse Freestanding Bath Shower Mixer - TR1087



No.	Description	Code	Fixings Included
1	Fuse Freestanding Bath Shower Mixer	TR1087	YES

Dimensions - TR1087

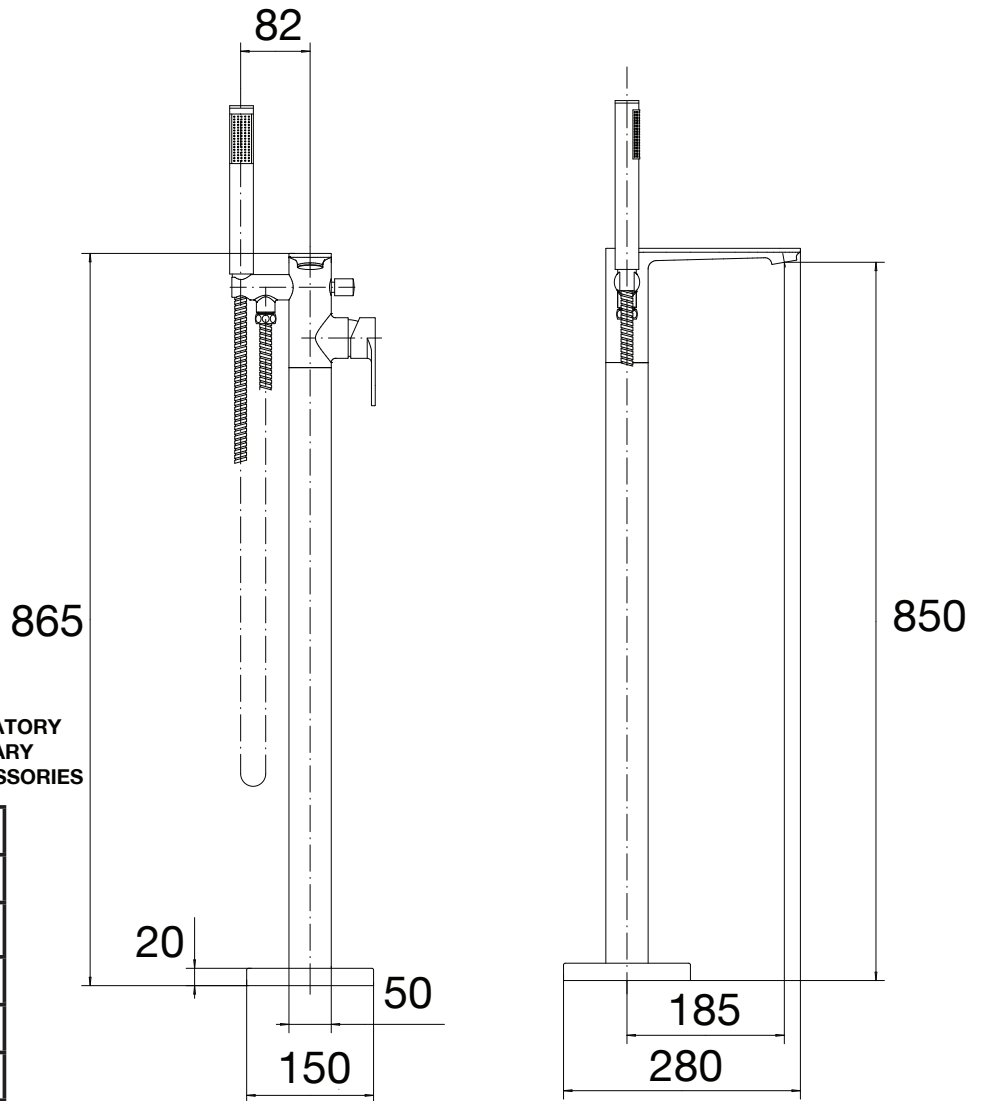
Diagrams not to scale. All dimensions in mm (tolerance of +/-5mm)



Chrome Plated

FLOW RATE DATA IS TESTED UNDER LABORATORY CONDITIONS: ACTUAL FLOW RATE MAY VARY DEPENDING ON DOMESTIC SUPPLY AND ACCESSORIES

Pressure:	Flow Rate:
0.2bar	4.8 litres / min
0.3bar	5.8 litres / min
0.4bar	6.5 litres / min
0.5bar	7.3 litres / min
1bar	10.3 litres / min
2bar	14.5 litres / min



*Dimensions are subject to change, customers are advised to measure actual product before commencing installation.

FAQs

What is the size of the tap tail connection? The tap tails have a standard 1/2" BSP compression fitting

What bore is the tap tail? The tails have a 10mm internal bore.

What length are the tap tails? The tails are 900mm in length.

Does the tap come fitted with an aerator? Yes, the aerator comes pre-installed but can be replaced.

What is the recommended minimum pressure? 1 Bar

Technical Data Sheet

Fuse Tall Basin Mixer - TR1088



No.	Description	Code	Fixings Included
1	Fuse Tall Basin Mixer	TR1088	YES



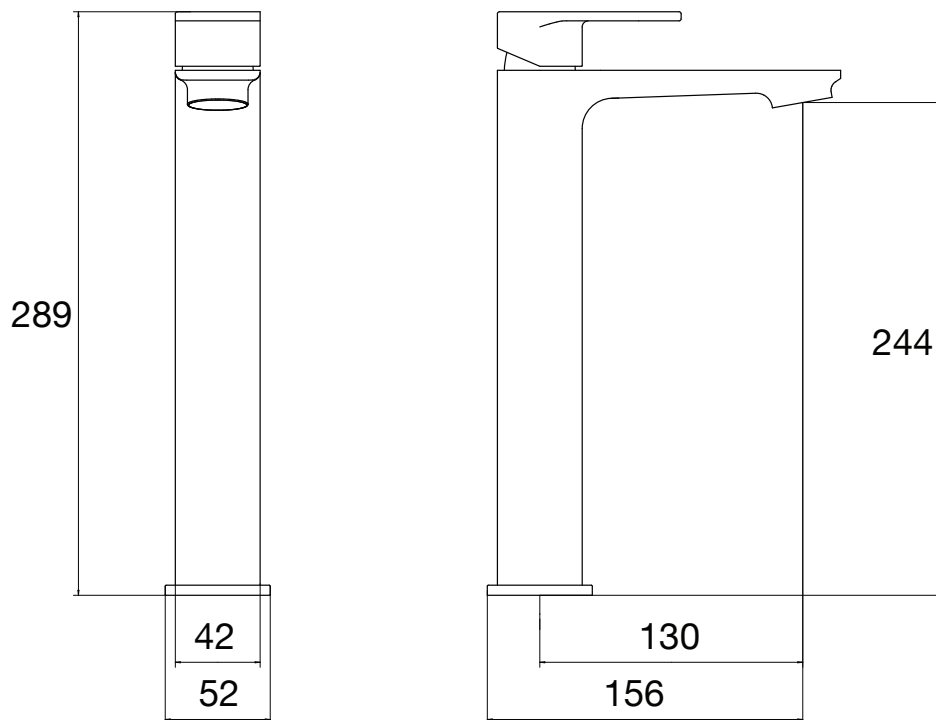
Chrome Plated

FLOW RATE DATA IS TESTED UNDER LABORATORY CONDITIONS: ACTUAL FLOW RATE MAY VARY DEPENDING ON DOMESTIC SUPPLY AND ACCESSORIES

Pressure:	Flow Rate:
0.2bar	5.3 litres / min
0.3bar	6.2 litres / min
0.4bar	7.5 litres / min
0.5bar	10.3 litres / min
1bar	15.4 litres / min
2bar	19.2 litres / min

Dimensions - TR1088

Diagrams not to scale. All dimensions in mm (tolerance of +/-5mm)



*Dimensions are subject to change, customers are advised to measure actual product before commencing installation.

FAQs

What is the size of the tap tail connection? The tap tails have a standard 1/2" BSP compression fitting

What bore is the tap tail? The tails have a 10mm internal bore.

What length are the tap tails? The tails are 600mm in length.

Does the tap come fitted with an aerator? Yes, the aerator comes pre-installed but can be replaced.

What is the recommended minimum pressure? 0.3 Bar

Technical Data Sheet

Fuse Basin Mixer Black - TR1095



No.	Description	Code	Fixings Included
1	Fuse Basin Mixer Black	TR1095	YES

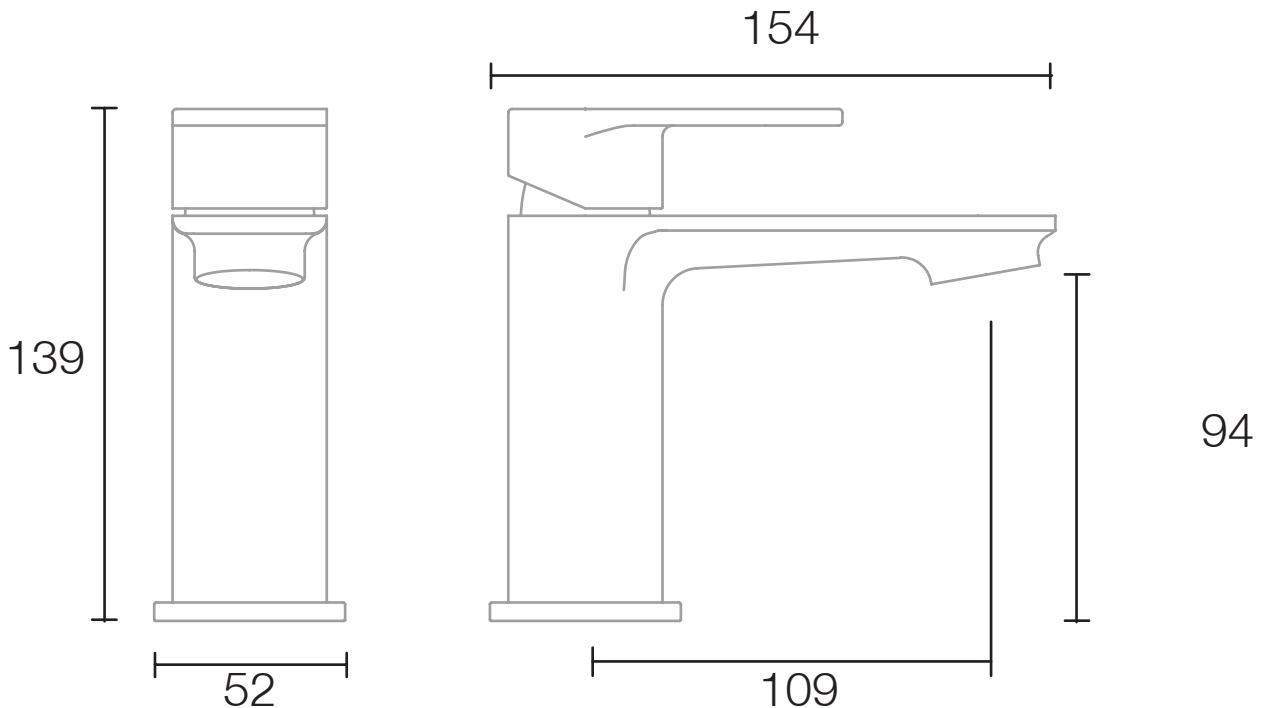


FLOW RATE DATA IS TESTED UNDER LABORATORY CONDITIONS: ACTUAL FLOW RATE MAY VARY DEPENDING ON DOMESTIC SUPPLY AND ACCESSORIES

Pressure:	Flow Rate:
0.2bar	4.7 litres / min
0.3bar	6 litres / min
0.4bar	7.5 litres / min
0.5bar	9.9 litres / min
1bar	14.5 litres / min
2bar	17.8 litres / min

Dimensions - TR1095

Diagrams not to scale. All dimensions in mm (tolerance of +/-5mm)



*Dimensions are subject to change, customers are advised to measure actual product before commencing installation.

FAQs

What is the size of the tap tail connection? The tap tails have a standard 1/2" BSP fixing.

What bore is the tap tail? The tails have a 10mm internal bore.

What length are the tap tails? The tails are 300mm in length.

Does the tap come fitted with an aerator? Yes, the aerator comes pre-installed but can be replaced.

What is the recommended minimum pressure? 0.3 Bar

Technical Data Sheet

Fuse Mini Basin Mixer Black - TR1096



No.	Description	Code	Fixings Included
1	Fuse Mini Basin Mixer Black	TR1096	YES

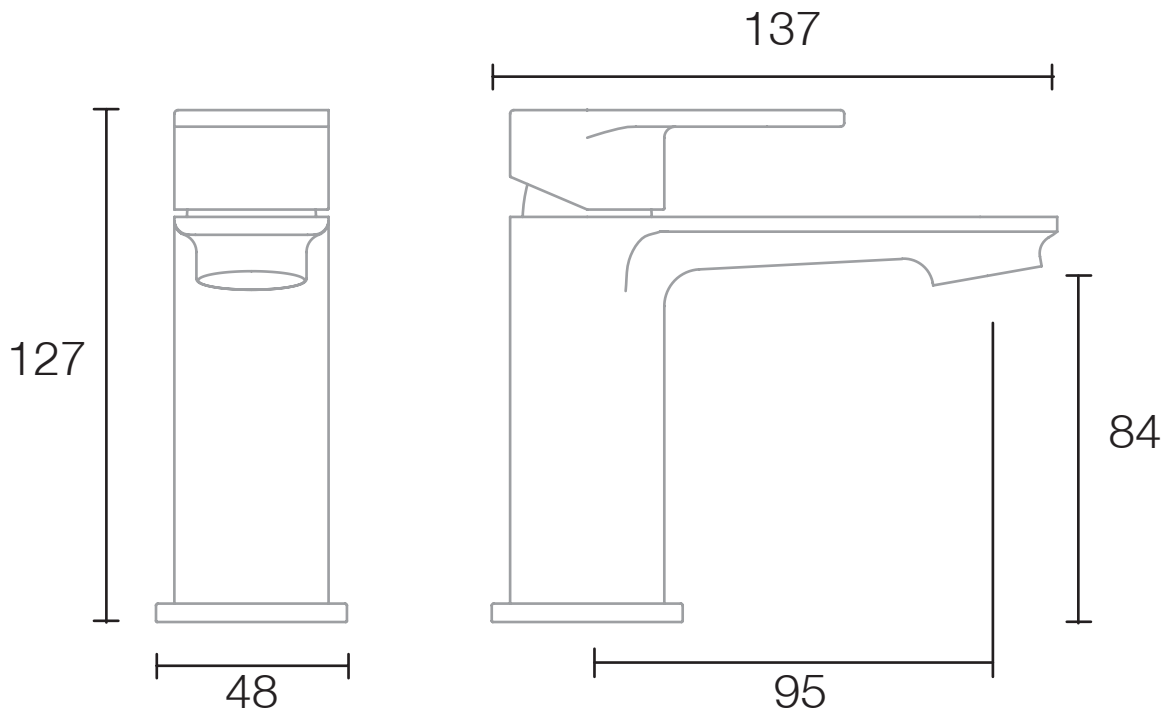


FLOW RATE DATA IS TESTED UNDER LABORATORY CONDITIONS: ACTUAL FLOW RATE MAY VARY DEPENDING ON DOMESTIC SUPPLY AND ACCESSORIES

Pressure:	Flow Rate:
0.2bar	4.6 litres / min
0.3bar	5.9 litres / min
0.4bar	6.9 litres / min
0.5bar	9.7 litres / min
1bar	14.3 litres / min
2bar	17.5 litres / min

Dimensions - TR1096

Diagrams not to scale. All dimensions in mm (tolerance of +/-5mm)



*Dimensions are subject to change, customers are advised to measure actual product before commencing installation.

FAQs

- What is the size of the tap tail connection?** The tap tails have a standard 1/2" BSP fixing.
- What bore is the tap tail?** The tails have a 10mm internal bore.
- What length are the tap tails?** The tails are 300mm in length.
- Does the tap come fitted with an aerator?** Yes, the aerator comes pre-installed but can be replaced.
- What is the recommended minimum pressure?** 0.3 Bar

Technical Data Sheet

Fuse Tall Basin Mixer Black - TR1097



No.	Description	Code	Fixings Included
1	Fuse Tall Basin Mixer Black	TR1097	YES



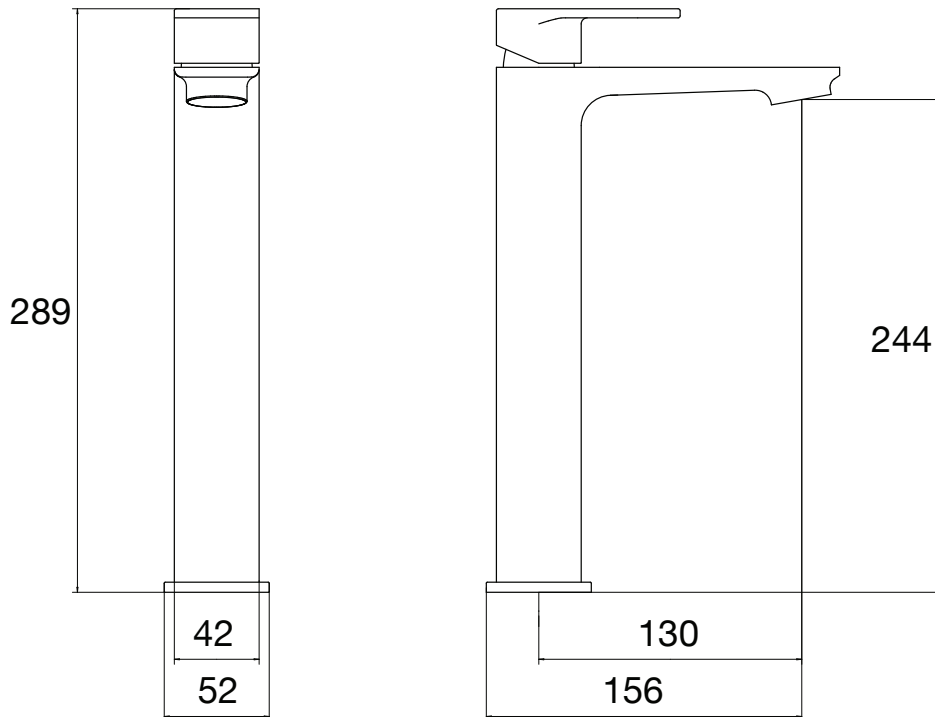
Electroplated

FLOW RATE DATA IS TESTED UNDER LABORATORY CONDITIONS: ACTUAL FLOW RATE MAY VARY DEPENDING ON DOMESTIC SUPPLY AND ACCESSORIES

Pressure:	Flow Rate:
0.2bar	5.3 litres / min
0.3bar	6.2 litres / min
0.4bar	7.5 litres / min
0.5bar	10.3 litres / min
1bar	15.4 litres / min
2bar	19.2 litres / min

Dimensions - TR1097

Diagrams not to scale. All dimensions in mm (tolerance of +/-5mm)



*Dimensions are subject to change, customers are advised to measure actual product before commencing installation.

FAQs

What is the size of the tap tail connection? The tap tails have a standard 1/2" BSP compression fitting

What bore is the tap tail? The tails have a 10mm internal bore.

What length are the tap tails? The tails are 600mm in length.

Does the tap come fitted with an aerator? Yes, the aerator comes pre-installed but can be replaced.

What is the recommended minimum pressure? 0.3 Bar

Technical Data Sheet

Fuse Bath Filler Black - TR1098



No.	Description	Code	Fixings Included
1	Fuse Bath Filler Black	TR1098	YES

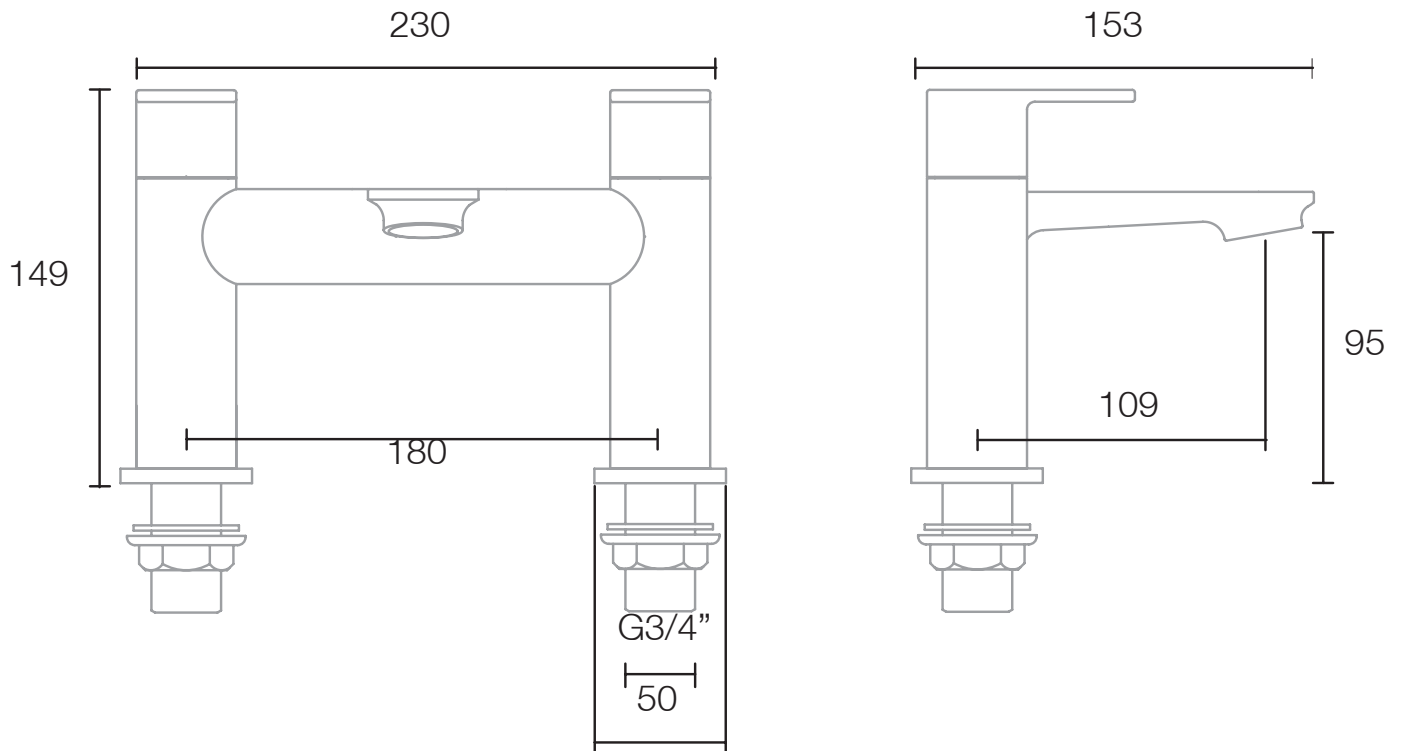


FLOW RATE DATA IS TESTED UNDER LABORATORY CONDITIONS: ACTUAL FLOW RATE MAY VARY DEPENDING ON DOMESTIC SUPPLY AND ACCESSORIES

Pressure:	Flow Rate:
0.2bar	9.3 litres / min
0.3bar	11.8 litres / min
0.4bar	15.5 litres / min
0.5bar	22.5 litres / min
1bar	33.2 litres / min
2bar	38 litres / min

Dimensions - TR1098

Diagrams not to scale. All dimensions in mm (tolerance of +/-5mm)



*Dimensions are subject to change, customers are advised to measure actual product before commencing installation.

FAQs

Does the tap come fitted with an aerator?

Yes, the aerator comes pre-installed but can be replaced.

What size plumbing fittings are needed for the threaded legs?

This product will work with standard 3/4" plumbing fittings.

What is the recommended minimum pressure? 0.3 Bar

Technical Data Sheet

Fuse Bath Shower Mixer Black - TR1099



No.	Description	Code	Fixings Included
1	Fuse Bath Shower Mixer Black	TR1099	YES

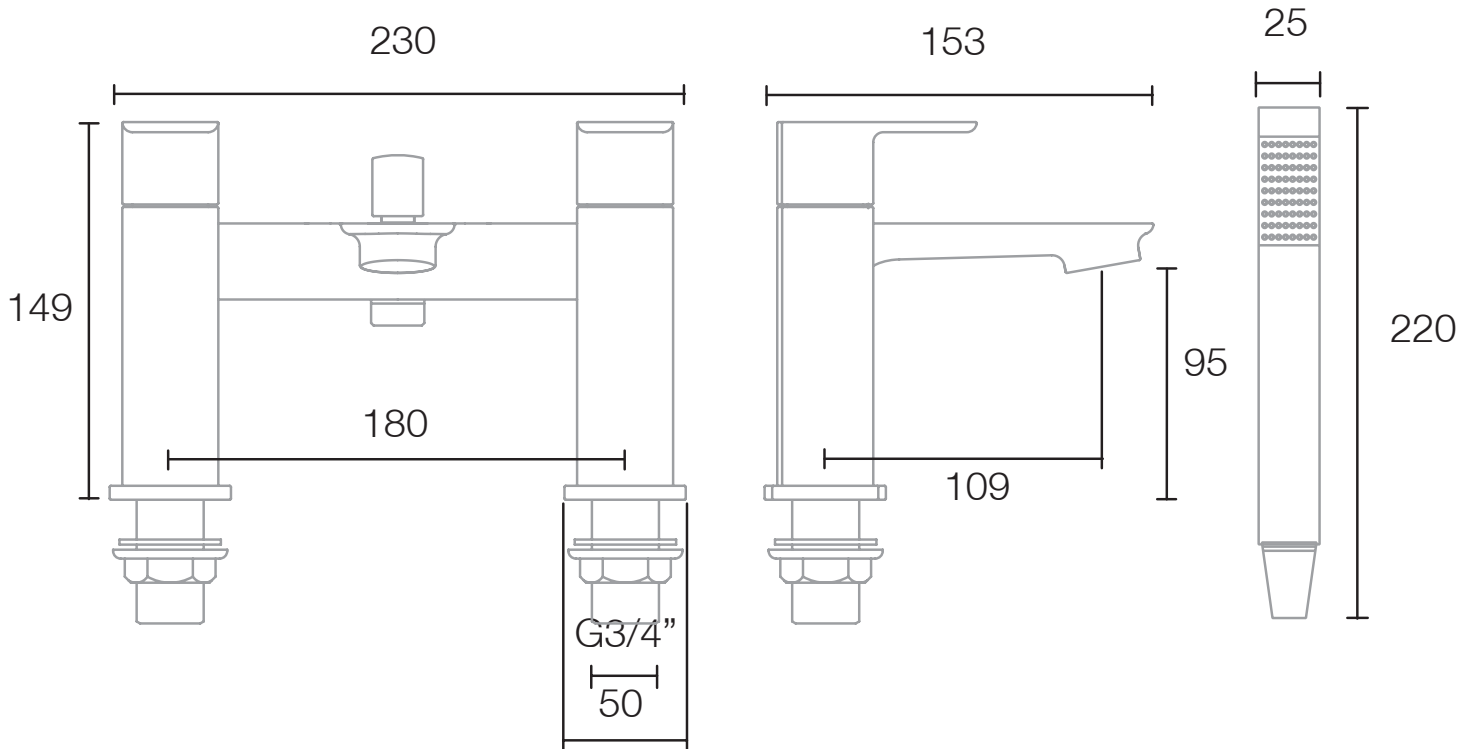


FLOW RATE DATA IS TESTED UNDER LABORATORY CONDITIONS: ACTUAL FLOW RATE MAY VARY DEPENDING ON DOMESTIC SUPPLY AND ACCESSORIES

Pressure:	Flow Rate:
0.2bar	8.5 litres / min
0.3bar	11.5 litres / min
0.4bar	14.7 litres / min
0.5bar	22.3 litres / min
1bar	31.5 litres / min
2bar	36.8 litres / min

Dimensions - TR1099

Diagrams not to scale. All dimensions in mm (tolerance of +/-5mm)



*Dimensions are subject to change, customers are advised to measure actual product before commencing installation.

FAQs

Does the tap come fitted with an aerator?

Yes, the aerator comes pre-installed but can be replaced.

What size plumbing fittings are needed for the threaded legs?

This product will work with standard 3/4" plumbing fittings.

What size are the connections for the shower hose?

The threaded connections on the shower hose are a standard 1/2" BSP connection.

What is the recommended minimum pressure? 0.3 Bar

Technical Data Sheet

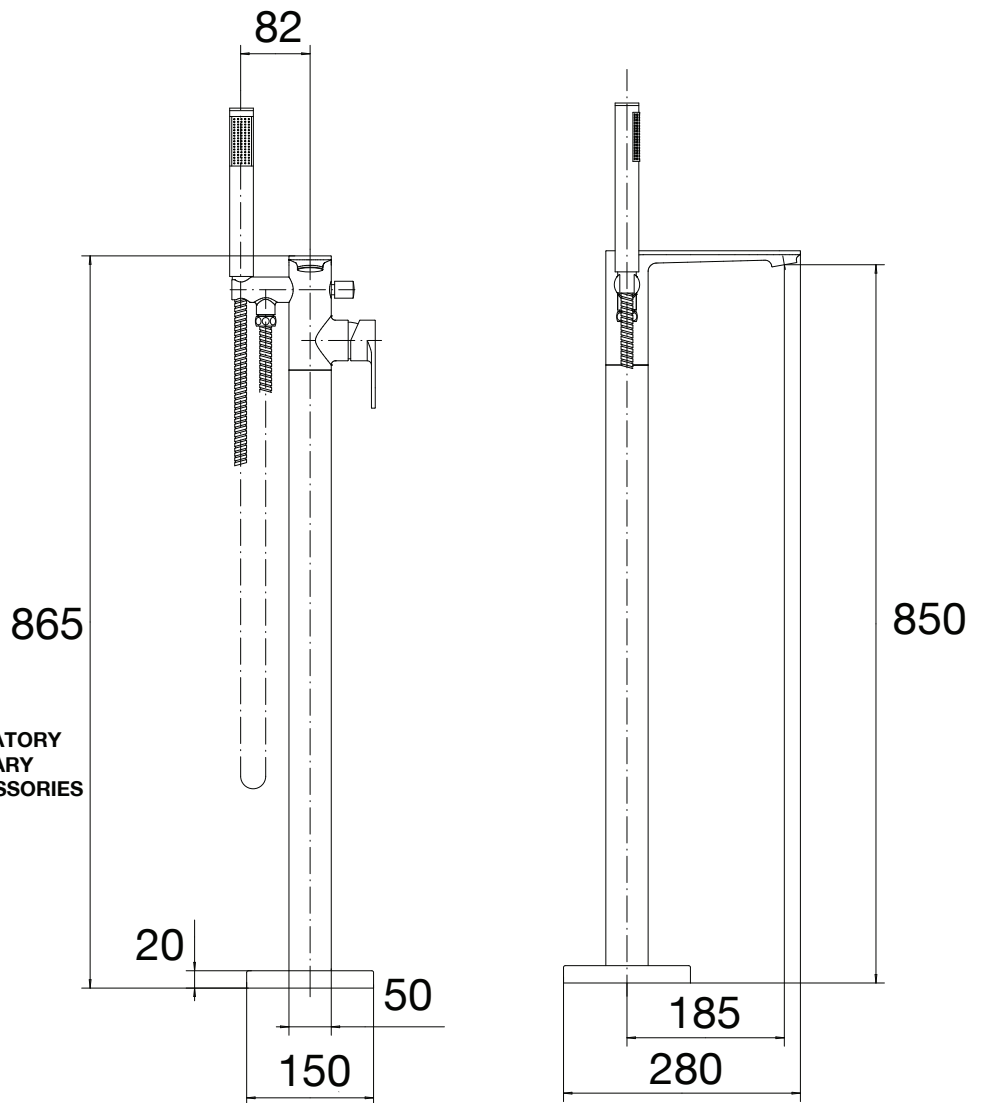
Fuse Freestanding Bath Shower Mixer Black - TR1100

R2

No.	Description	Code	Fixings Included
1	Fuse Freestanding Bath Shower Mixer Black	TR1100	YES

Dimensions - TR1100

Diagrams not to scale. All dimensions in mm (tolerance of +/-5mm)



FLOW RATE DATA IS TESTED UNDER LABORATORY CONDITIONS: ACTUAL FLOW RATE MAY VARY DEPENDING ON DOMESTIC SUPPLY AND ACCESSORIES

Pressure:	Flow Rate:
0.2bar	4.8 litres / min
0.3bar	5.8 litres / min
0.4bar	6.5 litres / min
0.5bar	7.3 litres / min
1bar	10.3 litres / min
2bar	14.5 litres / min

*Dimensions are subject to change, customers are advised to measure actual product before commencing installation.

FAQs

What is the size of the tap tail connection? The tap tails have a standard 1/2" BSP compression fitting

What bore is the tap tail? The tails have a 10mm internal bore.

What length are the tap tails? The tails are 900mm in length.

Does the tap come fitted with an aerator? Yes, the aerator comes pre-installed but can be replaced.

What is the recommended minimum pressure? 1 Bar

Technical Data Sheet

Fuse Basin Mixer Brass - TR1107



No.	Description	Code	Fixings Included
1	Fuse Basin Mixer Brass	TR1107	YES



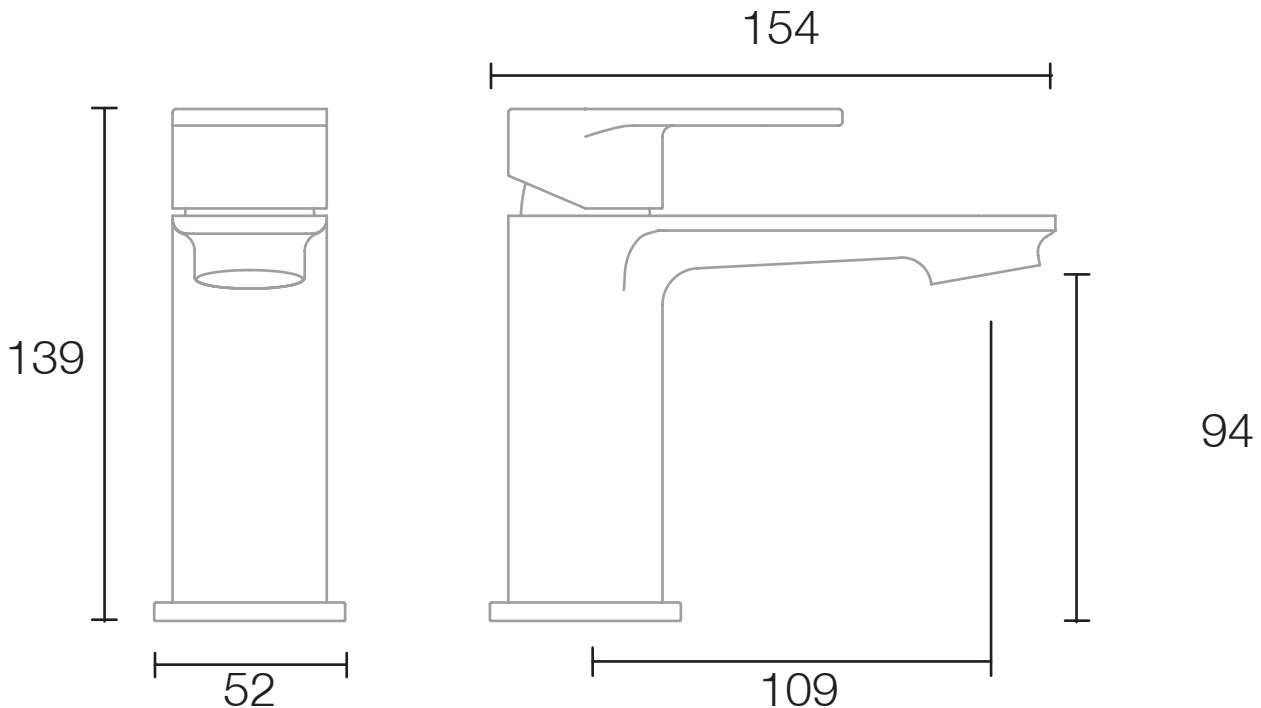
Brass PVD
(physical vapour deposition)

FLOW RATE DATA IS TESTED UNDER LABORATORY CONDITIONS: ACTUAL FLOW RATE MAY VARY DEPENDING ON DOMESTIC SUPPLY AND ACCESSORIES

Pressure:	Flow Rate:
0.2bar	4.7 litres / min
0.3bar	6 litres / min
0.4bar	7.5 litres / min
0.5bar	9.9 litres / min
1bar	14.5 litres / min
2bar	17.8 litres / min

Dimensions - TR1107

Diagrams not to scale. All dimensions in mm (tolerance of +/-5mm)



*Dimensions are subject to change, customers are advised to measure actual product before commencing installation.

FAQs

What is the size of the tap tail connection? The tap tails have a standard 1/2" BSP fixing.

What bore is the tap tail? The tails have a 10mm internal bore.

What length are the tap tails? The tails are 300mm in length.

Does the tap come fitted with an aerator? Yes, the aerator comes pre-installed but can be replaced.

What is the recommended minimum pressure? 0.3 Bar

Technical Data Sheet

Fuse Mini Basin Mixer Brass - TR1108



No.	Description	Code	Fixings Included
1	Fuse Mini Basin Mixer Brass	TR1108	YES



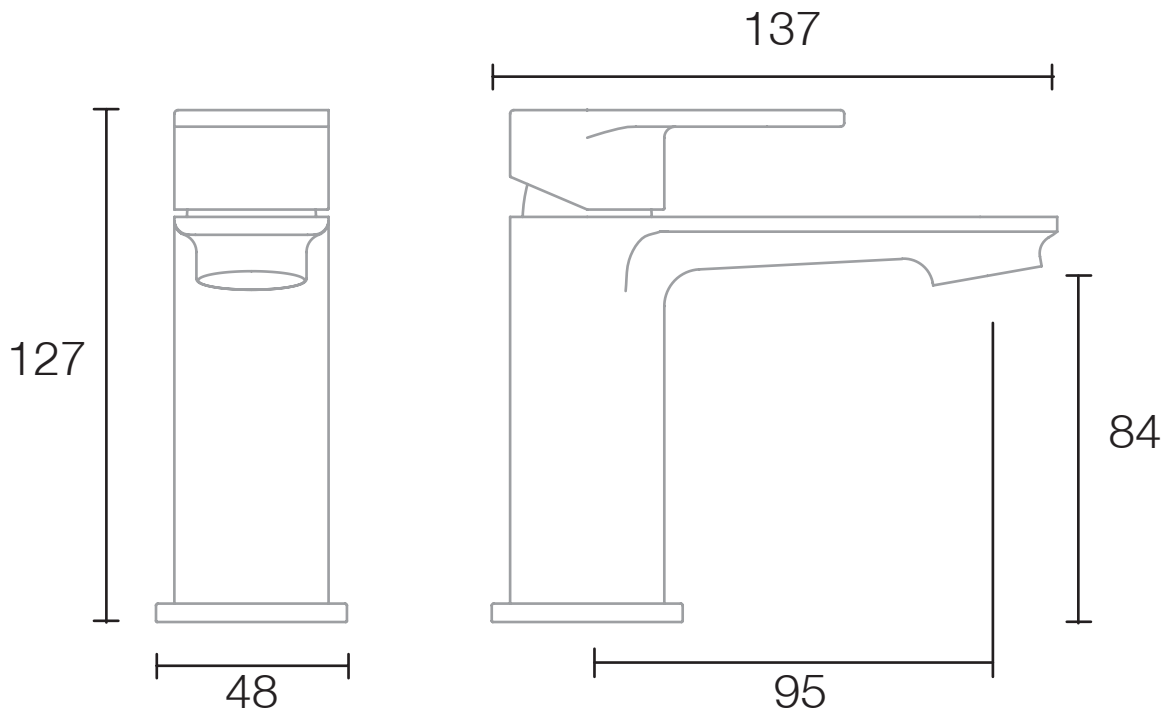
Brass PVD
(physical vapour deposition)

FLOW RATE DATA IS TESTED UNDER LABORATORY CONDITIONS: ACTUAL FLOW RATE MAY VARY DEPENDING ON DOMESTIC SUPPLY AND ACCESSORIES

Pressure:	Flow Rate:
0.2bar	4.6 litres / min
0.3bar	5.9 litres / min
0.4bar	6.9 litres / min
0.5bar	9.7 litres / min
1bar	14.3 litres / min
2bar	17.5 litres / min

Dimensions - TR1108

Diagrams not to scale. All dimensions in mm (tolerance of +/-5mm)



*Dimensions are subject to change, customers are advised to measure actual product before commencing installation.

FAQs

What is the size of the tap tail connection? The tap tails have a standard 1/2" BSP fixing.

What bore is the tap tail? The tails have a 10mm internal bore.

What length are the tap tails? The tails are 300mm in length.

Does the tap come fitted with an aerator? Yes, the aerator comes pre-installed but can be replaced.

What is the recommended minimum pressure? 0.3 Bar

Technical Data Sheet

Fuse Tall Basin Mixer Brass - TR1109



No.	Description	Code	Fixings Included
1	Fuse Tall Basin Mixer Brass	TR1109	YES



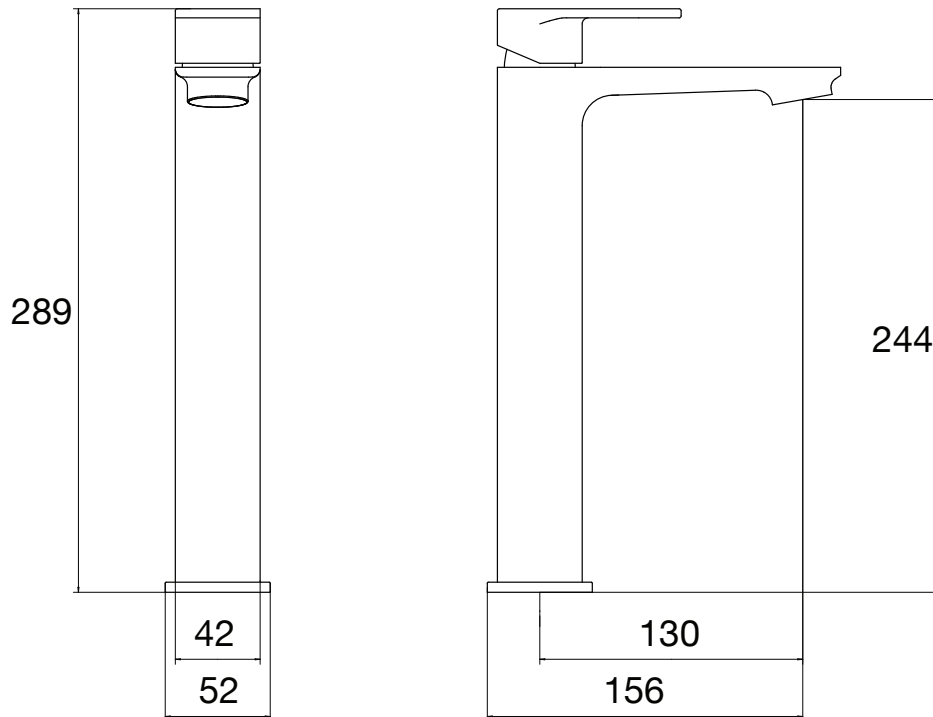
Brass PVD
(physical vapour deposition)

FLOW RATE DATA IS TESTED UNDER LABORATORY CONDITIONS: ACTUAL FLOW RATE MAY VARY DEPENDING ON DOMESTIC SUPPLY AND ACCESSORIES

Pressure:	Flow Rate:
0.2bar	5.3 litres / min
0.3bar	6.2 litres / min
0.4bar	7.5 litres / min
0.5bar	10.3 litres / min
1bar	15.4 litres / min
2bar	19.2 litres / min

Dimensions - TR1109

Diagrams not to scale. All dimensions in mm (tolerance of +/-5mm)



*Dimensions are subject to change, customers are advised to measure actual product before commencing installation.

FAQs

What is the size of the tap tail connection? The tap tails have a standard 1/2" BSP compression fitting

What bore is the tap tail? The tails have a 10mm internal bore.

What length are the tap tails? The tails are 600mm in length.

Does the tap come fitted with an aerator? Yes, the aerator comes pre-installed but can be replaced.

What is the recommended minimum pressure? 0.3 Bar

Technical Data Sheet

Fuse Bath Filler Brass - TR1110



No.	Description	Code	Fixings Included
1	Fuse Bath Filler Brass	TR1110	YES



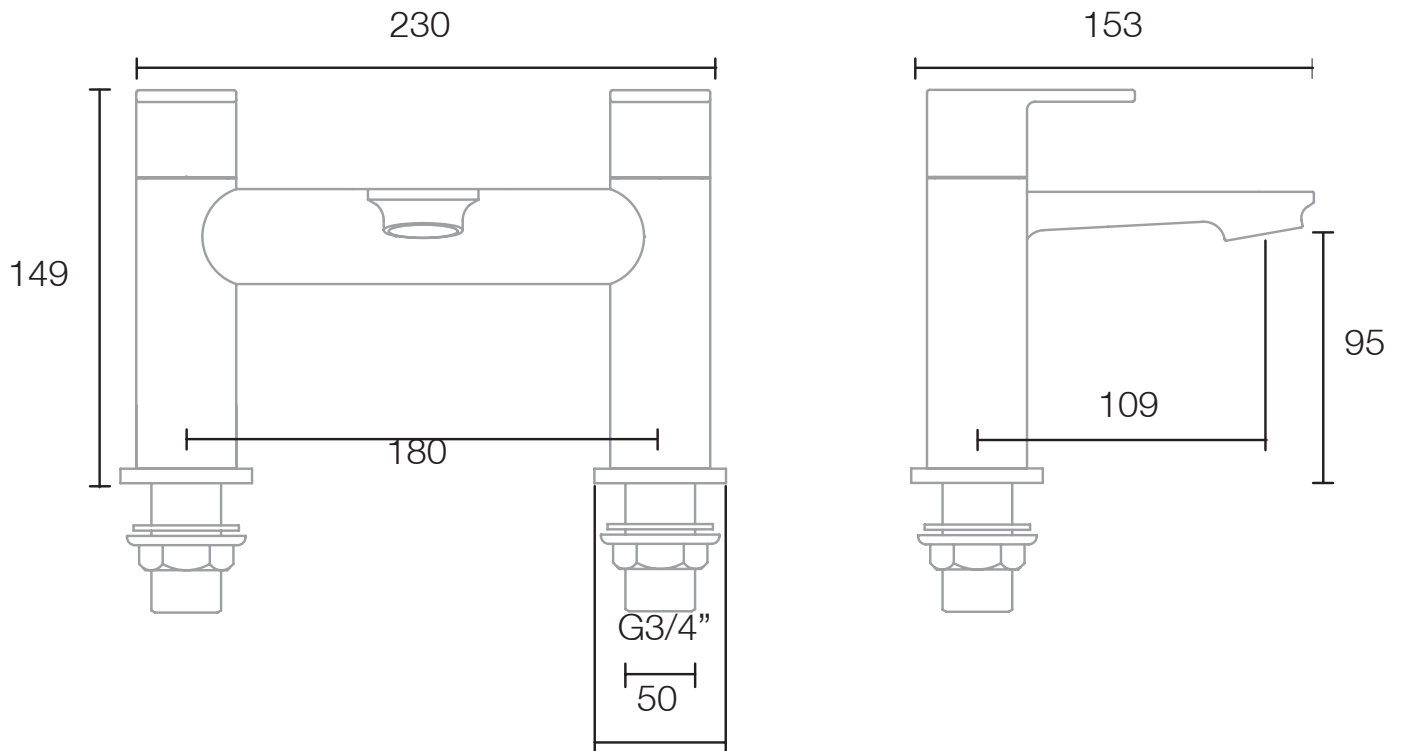
Brass PVD
(physical vapour deposition)

FLOW RATE DATA IS TESTED UNDER LABORATORY CONDITIONS: ACTUAL FLOW RATE MAY VARY DEPENDING ON DOMESTIC SUPPLY AND ACCESSORIES

Pressure:	Flow Rate:
0.2bar	9.3 litres / min
0.3bar	11.8 litres / min
0.4bar	15.5 litres / min
0.5bar	22.5 litres / min
1bar	33.2 litres / min
2bar	38 litres / min

Dimensions - TR1110

Diagrams not to scale. All dimensions in mm (tolerance of +/-5mm)



*Dimensions are subject to change, customers are advised to measure actual product before commencing installation.

FAQs

- Does the tap come fitted with an aerator?** Yes, the aerator comes pre-installed but can be replaced.
- What size plumbing fittings are needed for the threaded legs?** This product will work with standard 3/4" plumbing fittings.
- What is the recommended minimum pressure?** 0.3 Bar

Technical Data Sheet

Fuse Bath Shower Mixer Brass - TR1111



No.	Description	Code	Fixings Included
1	Fuse Bath Shower Mixer Brass	TR1111	YES

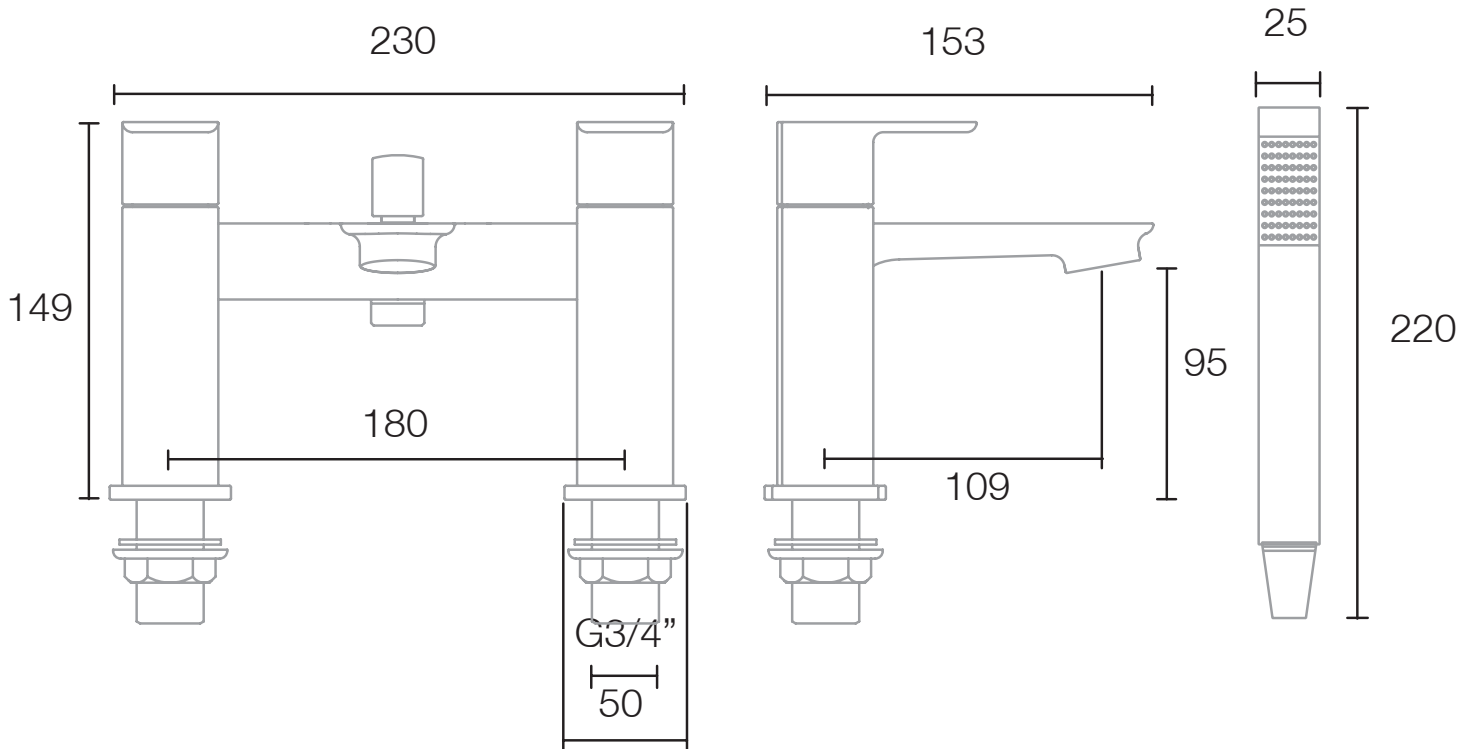


FLOW RATE DATA IS TESTED UNDER LABORATORY CONDITIONS: ACTUAL FLOW RATE MAY VARY DEPENDING ON DOMESTIC SUPPLY AND ACCESSORIES

Pressure:	Flow Rate:
0.2bar	8.5 litres / min
0.3bar	11.5 litres / min
0.4bar	14.7 litres / min
0.5bar	22.3 litres / min
1bar	31.5 litres / min
2bar	36.8 litres / min

Dimensions - TR1111

Diagrams not to scale. All dimensions in mm (tolerance of +/-5mm)



*Dimensions are subject to change, customers are advised to measure actual product before commencing installation.

FAQs

Does the tap come fitted with an aerator?

Yes, the aerator comes pre-installed but can be replaced.

What size plumbing fittings are needed for the threaded legs?

This product will work with standard 3/4" plumbing fittings.

What size are the connections for the shower hose?

The threaded connections on the shower hose are a standard 1/2" BSP connection.

What is the recommended minimum pressure? 0.3 Bar

Technical Data Sheet

Fuse Freestanding Bath Shower Mixer Brass - TR1112



No.	Description	Code	Fixings Included
1	Fuse Freestanding Bath Shower Mixer Brass	TR1112	YES

Dimensions - TR1112

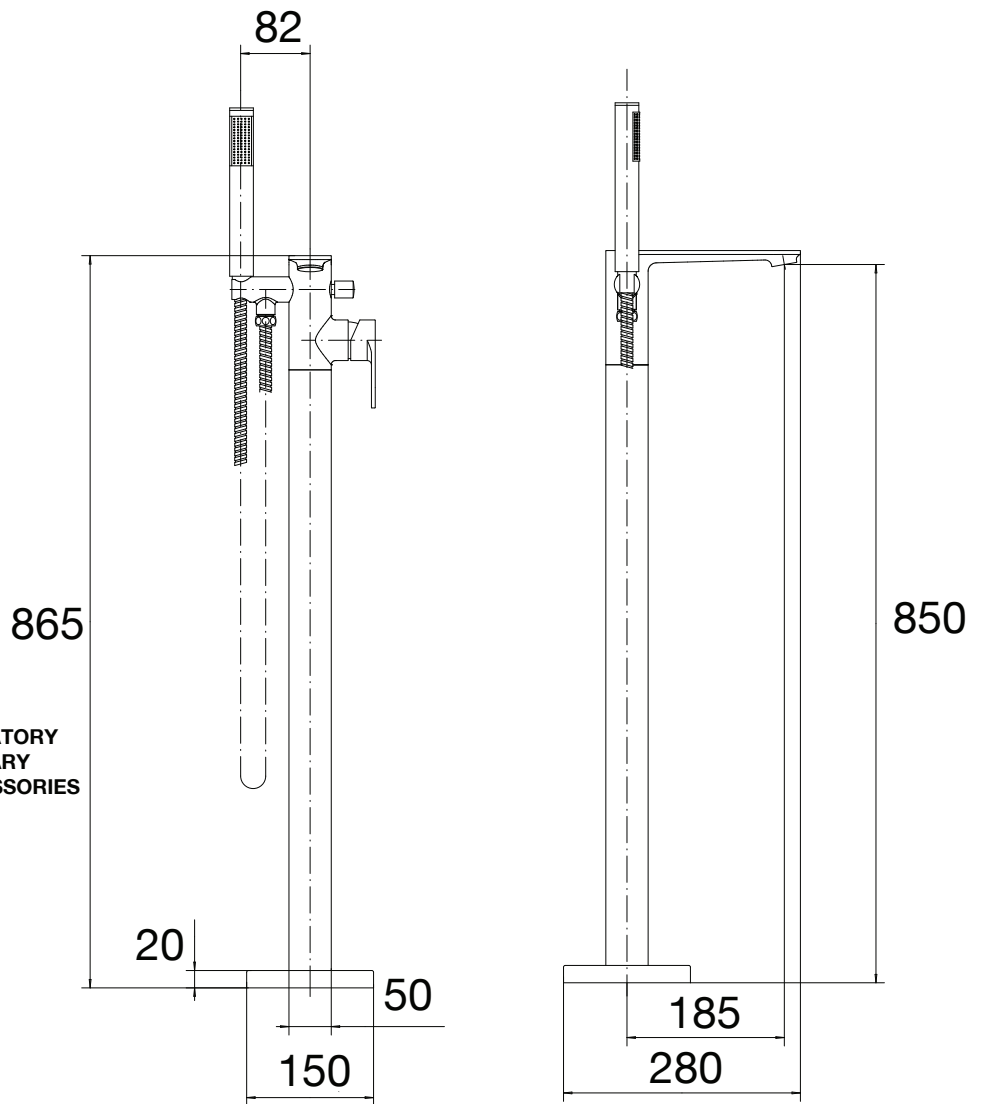
Diagrams not to scale. All dimensions in mm (tolerance of +/-5mm)



Brass PVD
(physical vapour deposition)

FLOW RATE DATA IS TESTED UNDER LABORATORY CONDITIONS: ACTUAL FLOW RATE MAY VARY DEPENDING ON DOMESTIC SUPPLY AND ACCESSORIES

Pressure:	Flow Rate:
0.2bar	4.8 litres / min
0.3bar	5.8 litres / min
0.4bar	6.5 litres / min
0.5bar	7.3 litres / min
1bar	10.3 litres / min
2bar	14.5 litres / min



*Dimensions are subject to change, customers are advised to measure actual product before commencing installation.

FAQs

What is the size of the tap tail connection? The tap tails have a standard 1/2" BSP compression fitting

What bore is the tap tail? The tails have a 10mm internal bore.

What length are the tap tails? The tails are 900mm in length.

Does the tap come fitted with an aerator? Yes, the aerator comes pre-installed but can be replaced.

What is the recommended minimum pressure? 1 Bar

Technical Data Sheet

Fuse Basin Mixer Gunmetal - TR1129



No.	Description	Code	Fixings Included
1	Fuse Basin Mixer Gunmetal	TR1129	YES



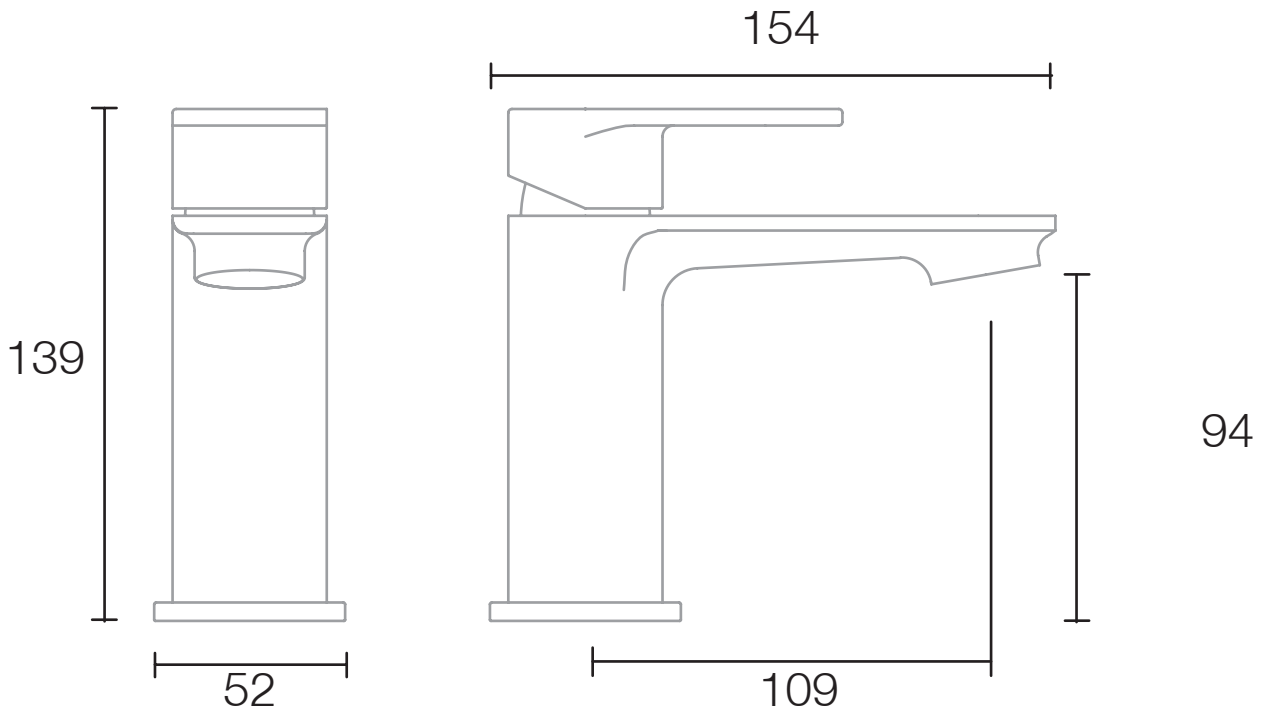
Gunmetal PVD
(Physical Vapour Deposition)

FLOW RATE DATA IS TESTED UNDER LABORATORY CONDITIONS: ACTUAL FLOW RATE MAY VARY DEPENDING ON DOMESTIC SUPPLY AND ACCESSORIES

Pressure:	Flow Rate:
0.2bar	4.7 litres / min
0.3bar	6 litres / min
0.4bar	7.5 litres / min
0.5bar	9.9 litres / min
1bar	14.5 litres / min
2bar	17.8 litres / min

Dimensions - TR1107

Diagrams not to scale. All dimensions in mm (tolerance of +/-5mm)



*Dimensions are subject to change, customers are advised to measure actual product before commencing installation.

FAQs

What is the size of the tap tail connection? The tap tails have a standard 1/2" BSP fixing.

What bore is the tap tail? The tails have a 10mm internal bore.

What length are the tap tails? The tails are 300mm in length.

Does the tap come fitted with an aerator? Yes, the aerator comes pre-installed but can be replaced.

What is the recommended minimum pressure? 0.3 Bar

Technical Data Sheet

Fuse Mini Basin Mixer Gunmetal - TR1130



No.	Description	Code	Fixings Included
1	Fuse Mini Basin Mixer Gunmetal	TR1130	YES



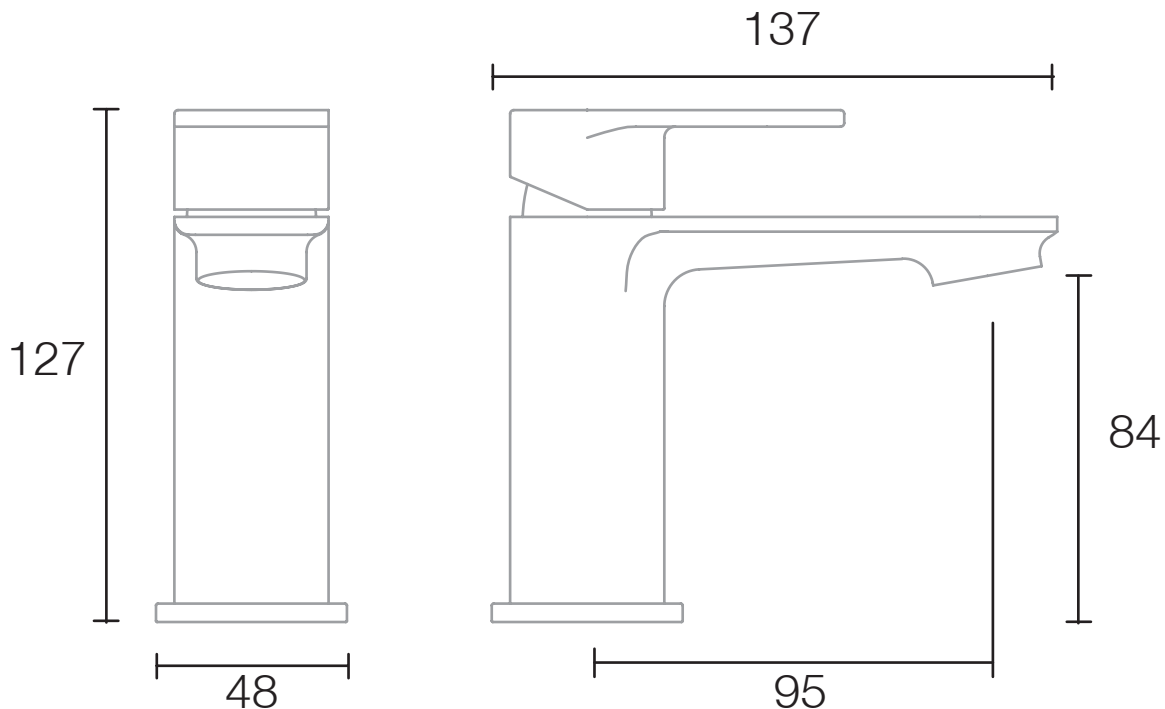
Gunmetal PVD
(Physical Vapour Deposition)

FLOW RATE DATA IS TESTED UNDER LABORATORY CONDITIONS: ACTUAL FLOW RATE MAY VARY DEPENDING ON DOMESTIC SUPPLY AND ACCESSORIES

Pressure:	Flow Rate:
0.2bar	4.6 litres / min
0.3bar	5.9 litres / min
0.4bar	6.9 litres / min
0.5bar	9.7 litres / min
1bar	14.3 litres / min
2bar	17.5 litres / min

Dimensions - TR1107

Diagrams not to scale. All dimensions in mm (tolerance of +/-5mm)



*Dimensions are subject to change, customers are advised to measure actual product before commencing installation.

FAQs

- What is the size of the tap tail connection?** The tap tails have a standard 1/2" BSP fixing.
- What bore is the tap tail?** The tails have a 10mm internal bore.
- What length are the tap tails?** The tails are 300mm in length.
- Does the tap come fitted with an aerator?** Yes, the aerator comes pre-installed but can be replaced.
- What is the recommended minimum pressure?** 0.3 Bar

Technical Data Sheet

Fuse Tall Basin Mixer Gunmetal - TR1133



No.	Description	Code	Fixings Included
1	Fuse Tall Basin Mixer - Gunmetal	TR1133	YES



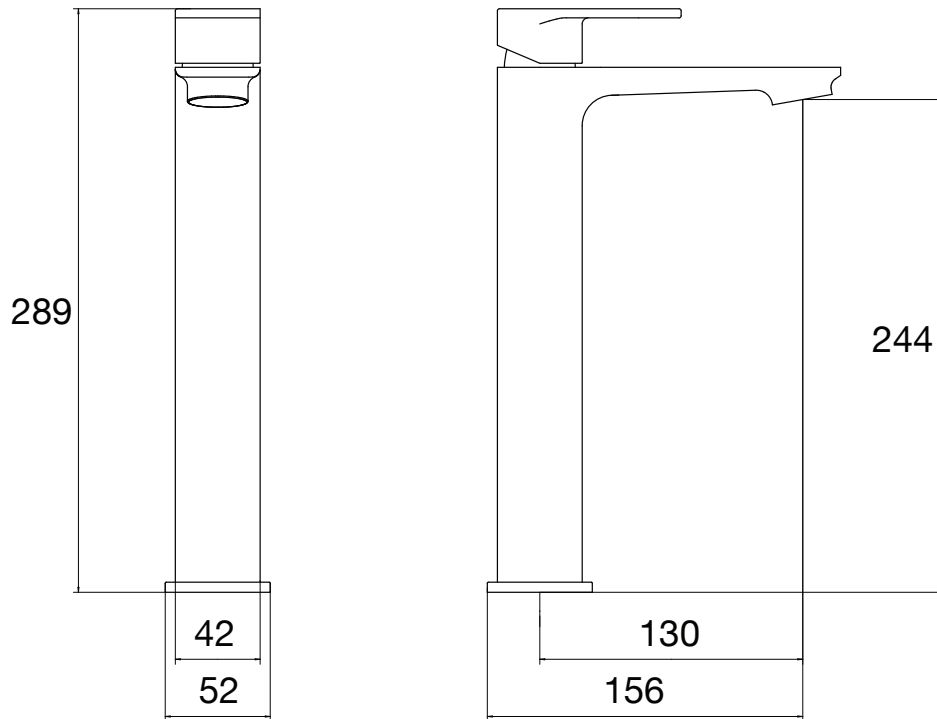
Gunmetal PVD
(Physical Vapour Deposition)

FLOW RATE DATA IS TESTED UNDER LABORATORY CONDITIONS: ACTUAL FLOW RATE MAY VARY DEPENDING ON DOMESTIC SUPPLY AND ACCESSORIES

Pressure:	Flow Rate:
0.2bar	5.3 litres / min
0.3bar	6.2 litres / min
0.4bar	7.5 litres / min
0.5bar	10.3 litres / min
1bar	15.4 litres / min
2bar	19.2 litres / min

Dimensions - TR1107

Diagrams not to scale. All dimensions in mm (tolerance of +/-5mm)



*Dimensions are subject to change, customers are advised to measure actual product before commencing installation.

FAQs

What is the size of the tap tail connection? The tap tails have a standard 1/2" BSP compression fitting

What bore is the tap tail? The tails have a 10mm internal bore.

What length are the tap tails? The tails are 600mm in length.

Does the tap come fitted with an aerator? Yes, the aerator comes pre-installed but can be replaced.

What is the recommended minimum pressure? 0.3 Bar

Technical Data Sheet

Fuse Bath Filler Gunmetal - TR1131



No.	Description	Code	Fixings Included
1	Fuse Bath Filler Gunmetal	TR1131	YES



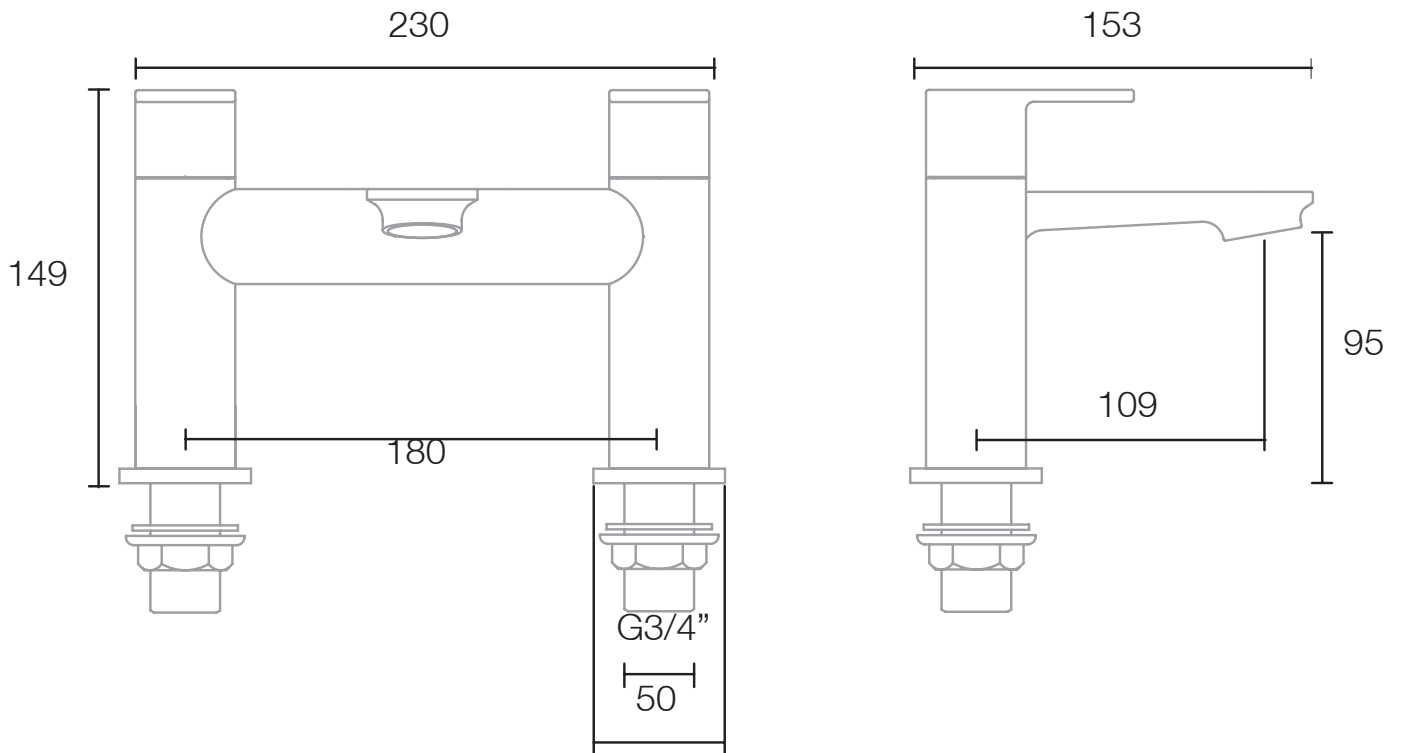
Gunmetal PVD
(Physical Vapour Deposition)

FLOW RATE DATA IS TESTED UNDER LABORATORY CONDITIONS: ACTUAL FLOW RATE MAY VARY DEPENDING ON DOMESTIC SUPPLY AND ACCESSORIES

Pressure:	Flow Rate:
0.2bar	9.3 litres / min
0.3bar	11.8 litres / min
0.4bar	15.5 litres / min
0.5bar	22.5 litres / min
1bar	33.2 litres / min
2bar	38 litres / min

Dimensions - TR1107

Diagrams not to scale. All dimensions in mm (tolerance of +/-5mm)



*Dimensions are subject to change, customers are advised to measure actual product before commencing installation.

FAQs

Does the tap come fitted with an aerator? Yes, the aerator comes pre-installed but can be replaced.

What size plumbing fittings are needed for the threaded legs? This product will work with standard 3/4" plumbing fittings.

What is the recommended minimum pressure? 0.3 Bar

Technical Data Sheet

Fuse Bath Shower Mixer Gunmetal - TR1132



No.	Description	Code	Fixings Included
1	Fuse Bath Shower Mixer Gunmetal	TR1132	YES



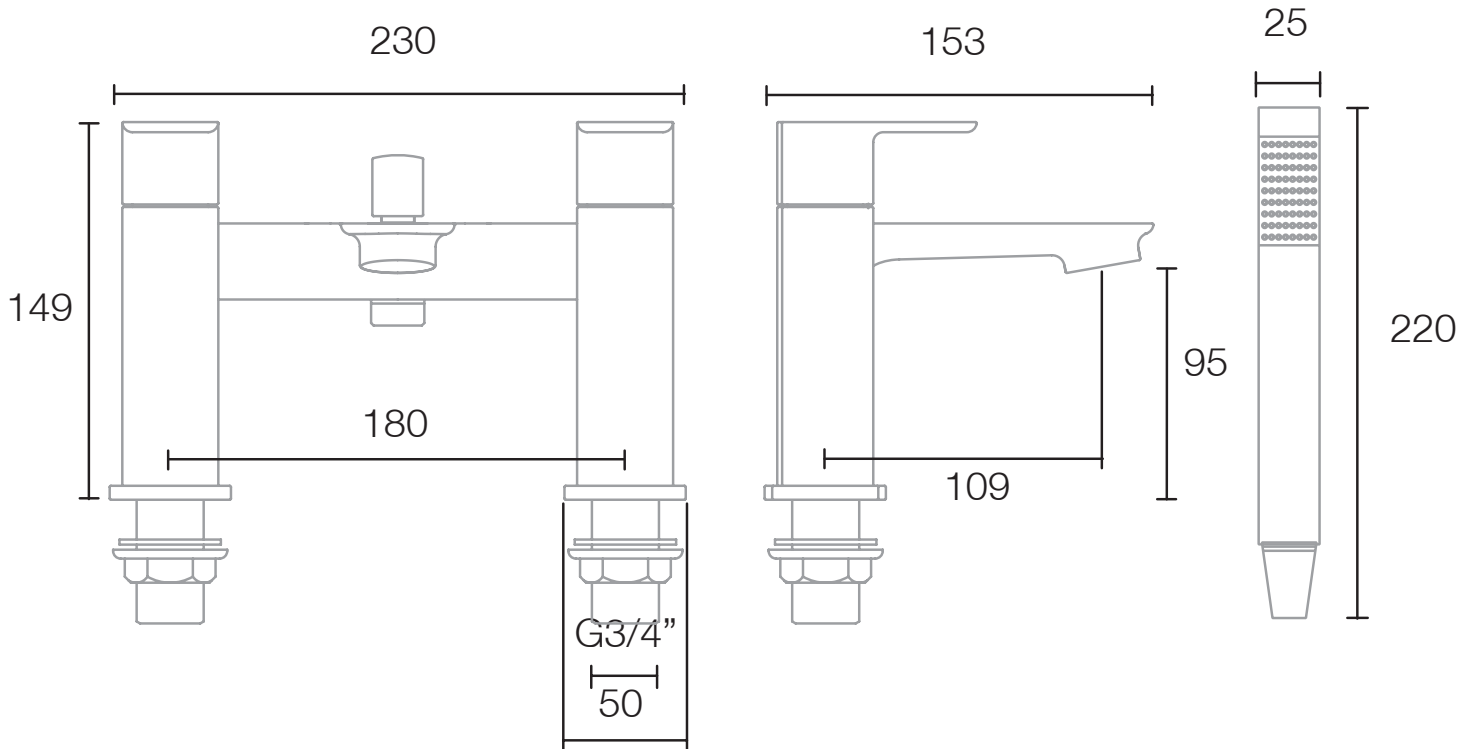
Gunmetal PVD
(Physical Vapour Deposition)

FLOW RATE DATA IS TESTED UNDER LABORATORY CONDITIONS: ACTUAL FLOW RATE MAY VARY DEPENDING ON DOMESTIC SUPPLY AND ACCESSORIES

Pressure:	Flow Rate:
0.2bar	8.5 litres / min
0.3bar	11.5 litres / min
0.4bar	14.7 litres / min
0.5bar	22.3 litres / min
1bar	31.5 litres / min
2bar	36.8 litres / min

Dimensions - TR1107

Diagrams not to scale. All dimensions in mm (tolerance of +/-5mm)



*Dimensions are subject to change, customers are advised to measure actual product before commencing installation.

FAQs

Does the tap come fitted with an aerator?

Yes, the aerator comes pre-installed but can be replaced.

What size plumbing fittings are needed for the threaded legs?

This product will work with standard 3/4" plumbing fittings.

What size are the connections for the shower hose?

The threaded connections on the shower hose are a standard 1/2" BSP connection.

What is the recommended minimum pressure? 0.3 Bar

Technical Data Sheet

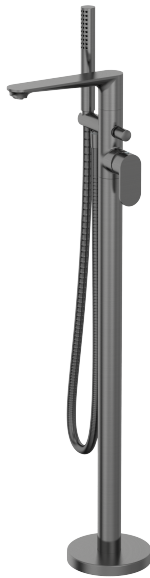
Fuse Freestanding Bath Shower Mixer Gunmetal - TR1134



No.	Description	Code	Fixings Included
	Fuse Freestanding Bath Shower Mixer Gunmetal	TR1134	YES

Dimensions - TR1107

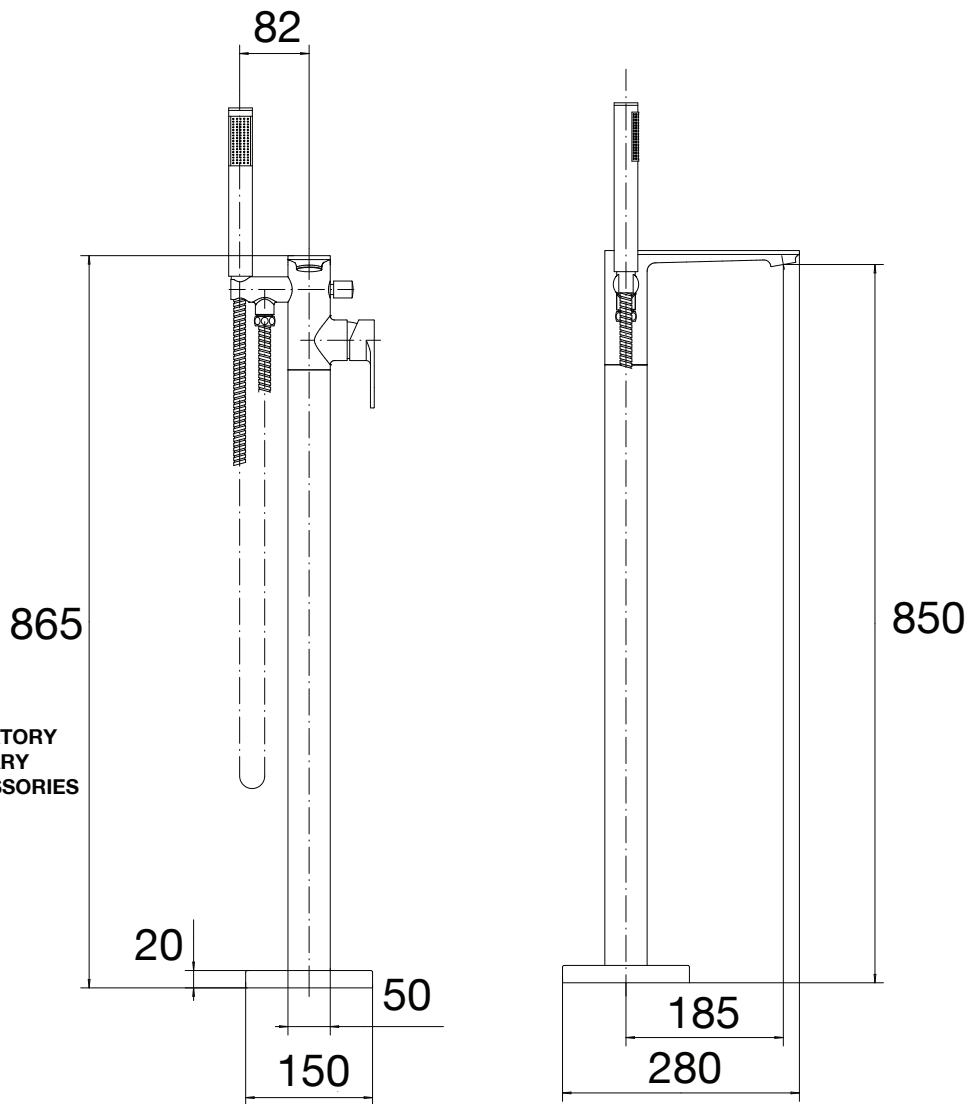
Diagrams not to scale. All dimensions in mm (tolerance of +/-5mm)



Gunmetal PVD
(Physical Vapour Deposition)

**FLOW RATE DATA IS TESTED UNDER LABORATORY
CONDITIONS: ACTUAL FLOW RATE MAY VARY
DEPENDING ON DOMESTIC SUPPLY AND ACCESSORIES**

Pressure:	Flow Rate:
0.2bar	4.8 litres / min
0.3bar	5.8 litres / min
0.4bar	6.5 litres / min
0.5bar	7.3 litres / min
1bar	10.3 litres / min
2bar	14.5 litres / min



*Dimensions are subject to change, customers are advised to measure actual product before commencing installation.

FAQs

What is the size of the tap tail connection? The tap tails have a standard 1/2" BSP compression fitting

What bore is the tap tail? The tails have a 10mm internal bore.

What length are the tap tails? The tails are 900mm in length.

Does the tap come fitted with an aerator? Yes, the aerator comes pre-installed but can be replaced.

What is the recommended minimum pressure? 1 Bar