

# Technical Data Sheet

Act Basin Mixer - TR1064



No.	Description	Code	Fixings Included
1	Act Basin Mixer	TR1064	YES



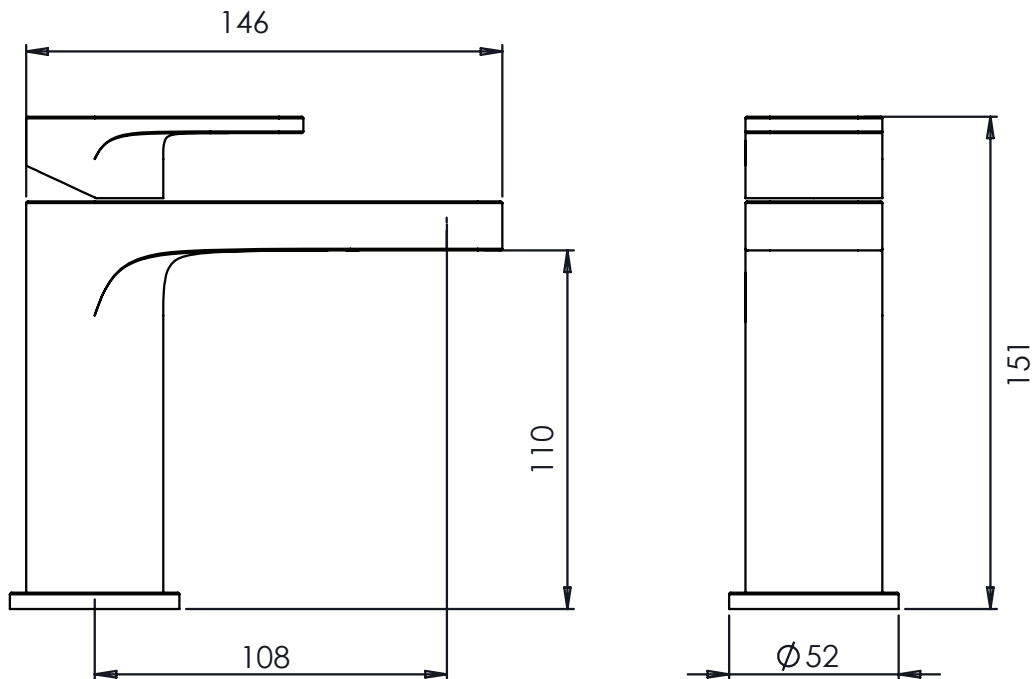
Chrome Plated

**FLOW RATE DATA IS TESTED UNDER LABORATORY CONDITIONS: ACTUAL FLOW RATE MAY VARY DEPENDING ON DOMESTIC SUPPLY AND ACCESSORIES**

Pressure:	Flow Rate:
0.2bar	4 litres / min
0.3bar	4.5 litres / min
0.4bar	5.2 litres / min
0.5bar	5.6 litres / min
1bar	5.6 litres / min
2bar	5.6 litres / min

## Dimensions - TR1064

Diagrams not to scale. All dimensions in mm (tolerance of +/-5mm)



\*Dimensions are subject to change, customers are advised to measure actual product before commencing installation.

## FAQs

- What bore is the tap tail?** The tails have a 10mm internal bore.
- What length are the tap tails?** The tails are 300mm in length.
- Does the tap come fitted with an aerator?** Yes, the aerator comes pre-installed but can be replaced.
- What is the size of the tap tail connection?** The tap tails have a standard 1/2" BSP fixing.
- What is the recommended minimum pressure?** 0.2 Bar

# Technical Data Sheet

Act Eco Basin Mixer - TR1135  
with Cold Start Cartridge and Water Saver



No.	Description	Code	Fixings Included
1	Act Eco Basin Mixer	TR1135	YES

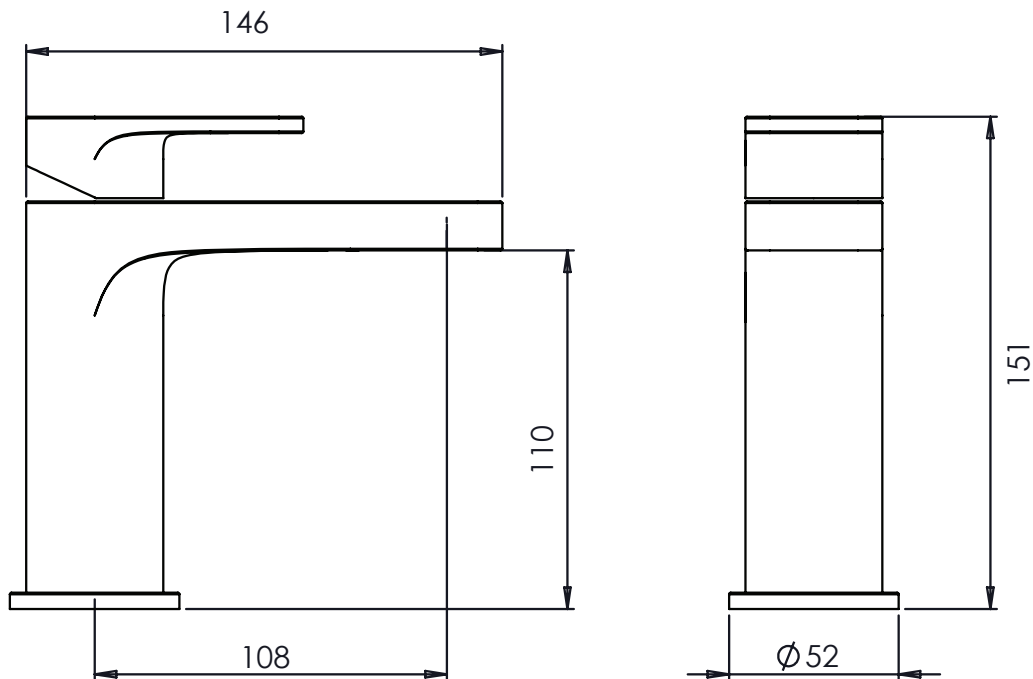


**FLOW RATE DATA IS TESTED UNDER LABORATORY CONDITIONS: ACTUAL FLOW RATE MAY VARY DEPENDING ON DOMESTIC SUPPLY AND ACCESSORIES**

Pressure:	Flow Rate:
0.2bar	4 litres / min
0.3bar	4.5 litres / min
0.4bar	5.2 litres / min
0.5bar	5.6 litres / min
1bar	5.6 litres / min
2bar	5.6 litres / min

## Dimensions - TR1064

Diagrams not to scale. All dimensions in mm (tolerance of +/-5mm)



\*Dimensions are subject to change, customers are advised to measure actual product before commencing installation.

## FAQs

**What bore is the tap tail?** The tails have a 10mm internal bore.

**What length are the tap tails?** The tails are 300mm in length.

**Does the tap come fitted with an aerator?** Yes, the aerator comes pre-installed but can be replaced.

**What is the size of the tap tail connection?** The tap tails have a standard 1/2" BSP fixing.

**What is the recommended minimum pressure?** 0.2 Bar

# Technical Data Sheet

Act Mini Basin Mixer - TR1065



No.	Description	Code	Fixings Included
1	Act Mini Basin Mixer	TR1065	YES



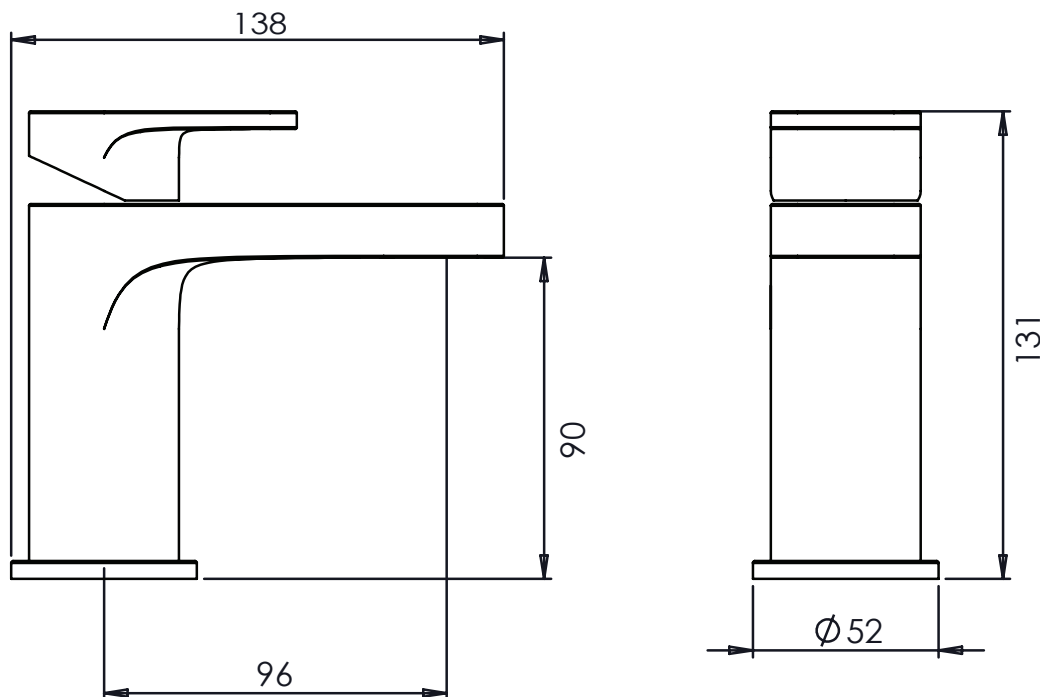
Chrome Plated

**FLOW RATE DATA IS TESTED UNDER LABORATORY CONDITIONS: ACTUAL FLOW RATE MAY VARY DEPENDING ON DOMESTIC SUPPLY AND ACCESSORIES**

Pressure:	Flow Rate:
0.2bar	4 litres / min
0.3bar	4.5 litres / min
0.4bar	5.2 litres / min
0.5bar	5.6 litres / min
1bar	5.6 litres / min
2bar	5.6 litres / min

## Dimensions - TR1065

Diagrams not to scale. All dimensions in mm (tolerance of +/-5mm)



\*Dimensions are subject to change, customers are advised to measure actual product before commencing installation.

## FAQs

**What is the size of the tap tail connection?** The tap tails have a standard 1/2" BSP fixing.

**What bore is the tap tail?** The tails have a 10mm internal bore.

**What length are the tap tails?** The tails are 300mm in length.

**Does the tap come fitted with an aerator?** Yes, the aerator comes pre-installed but can be replaced.

**What is the recommended minimum pressure?** 0.2 Bar

# Technical Data Sheet

Act Bath Filler - TR1066



No.	Description	Code	Fixings Included
1	Act Bath Filler	TR1066	YES



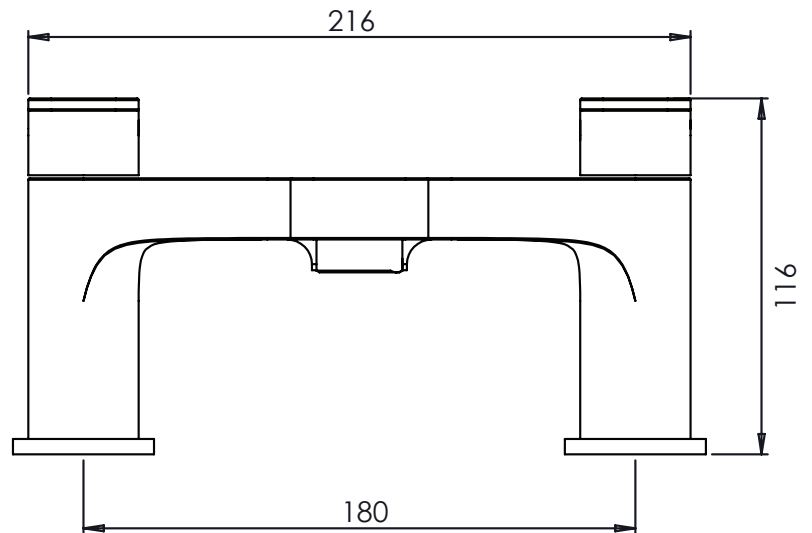
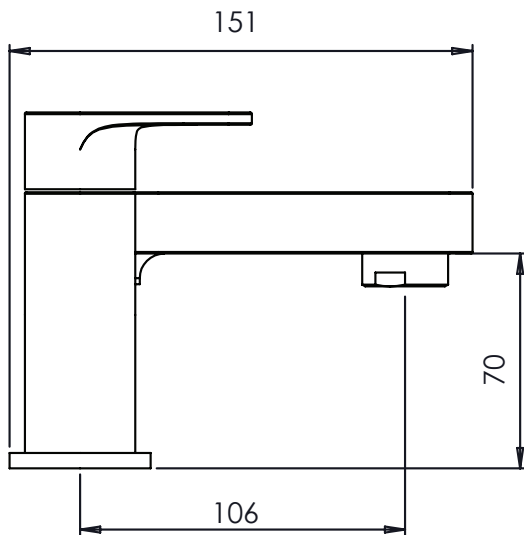
Chrome Plated

**FLOW RATE DATA IS TESTED UNDER LABORATORY CONDITIONS: ACTUAL FLOW RATE MAY VARY DEPENDING ON DOMESTIC SUPPLY AND ACCESSORIES**

Pressure:	Flow Rate:
0.2bar	14 litres / min
0.3bar	16.8 litres / min
0.4bar	18.6 litres / min
0.5bar	20.9 litres / min
1bar	29.6 litres / min
2bar	41.6 litres / min

## Dimensions - TR1066

Diagrams not to scale. All dimensions in mm (tolerance of +/-5mm)



\*Dimensions are subject to change, customers are advised to measure actual product before commencing installation.

## FAQs

**Does the tap come fitted with an aerator?** Yes, the aerator comes pre-installed but can be replaced.

**What size plumbing fittings are needed for the threaded legs?** This product will work with standard 3/4" plumbing fittings.

**What is the recommended minimum pressure?** 0.2 Bar

# Technical Data Sheet

Act Bath Shower Mixer - TR1078



No.	Description	Code	Fixings Included
1	Act Bath Shower Mixer	TR1078	YES



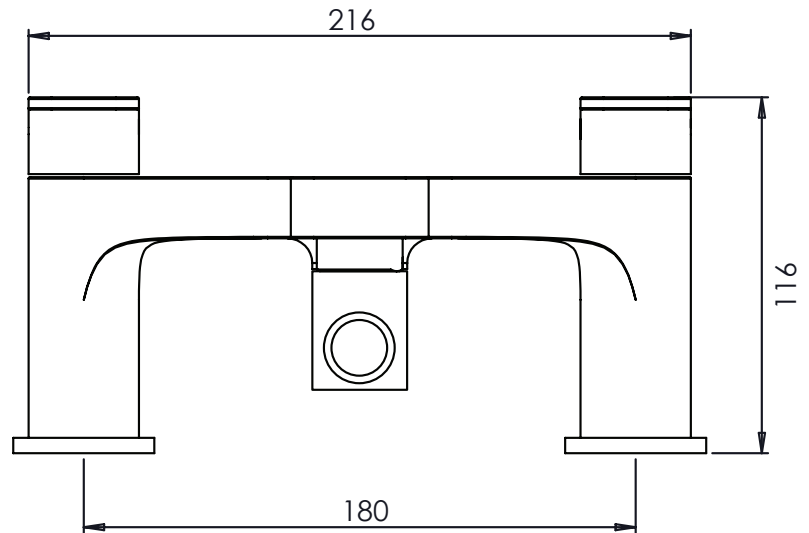
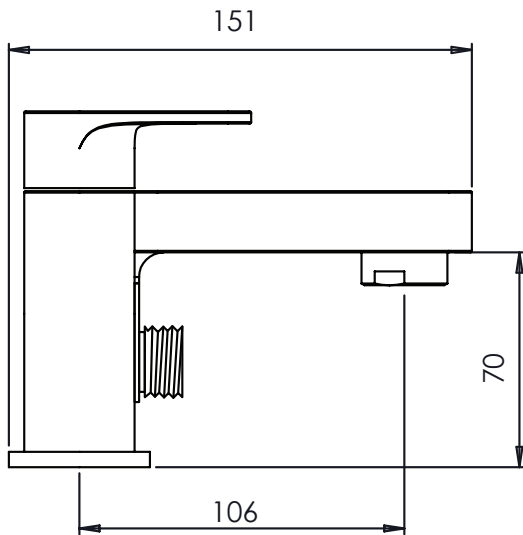
Chrome Plated

**FLOW RATE DATA IS TESTED UNDER LABORATORY CONDITIONS: ACTUAL FLOW RATE MAY VARY DEPENDING ON DOMESTIC SUPPLY AND ACCESSORIES**

Pressure:	Flow Rate:
0.2bar	14 litres / min
0.3bar	16.8 litres / min
0.4bar	18.6 litres / min
0.5bar	20.9 litres / min
1bar	29.6 litres / min
2bar	41.6 litres / min

## Dimensions - TR1078

Diagrams not to scale. All dimensions in mm (tolerance of +/-5mm)



\*Dimensions are subject to change, customers are advised to measure actual product before commencing installation.

## FAQs

### Does the tap come fitted with an aerator?

Yes, the aerator comes pre-installed but can be replaced.

### What size plumbing fittings are needed for the threaded legs?

This product will work with standard 3/4" plumbing fittings.

### What size are the connections for the shower hose?

The threaded connections on the shower hose are a standard 1/2" BSP connection.

### What is the recommended minimum pressure? 0.2 Bar

# Technical Data Sheet

Act Black Basin Mixer - TR1072



No.	Description	Code	Fixings Included
1	Act Basin Mixer	TR1072	YES

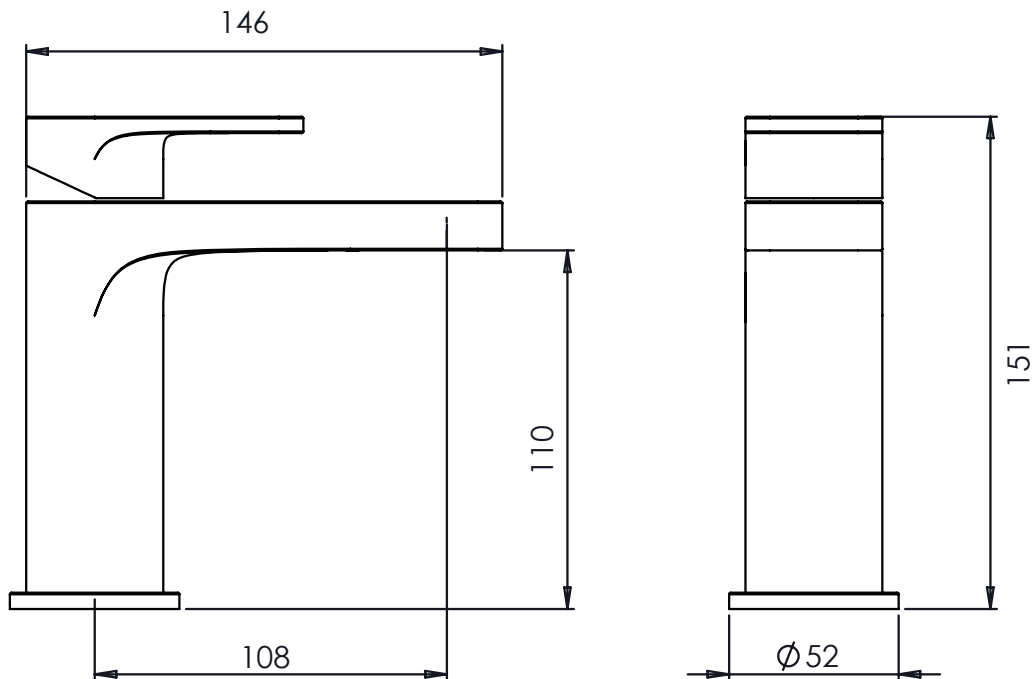


**FLOW RATE DATA IS TESTED UNDER LABORATORY CONDITIONS: ACTUAL FLOW RATE MAY VARY DEPENDING ON DOMESTIC SUPPLY AND ACCESSORIES**

Pressure:	Flow Rate:
0.2bar	4 litres / min
0.3bar	4.5 litres / min
0.4bar	5.2 litres / min
0.5bar	5.6 litres / min
1bar	5.6 litres / min
2bar	5.6 litres / min

## Dimensions - TR1072

Diagrams not to scale. All dimensions in mm (tolerance of +/-5mm)



\*Dimensions are subject to change, customers are advised to measure actual product before commencing installation.

## FAQs

**What is the size of the tap tail connection?** The tap tails have a standard 1/2" BSP fixing.

**What bore is the tap tail?** The tails have a 10mm internal bore.

**What length are the tap tails?** The tails are 300mm in length.

**Does the tap come fitted with an aerator?** Yes, the aerator comes pre-installed but can be replaced.

**What is the recommended minimum pressure?** 0.2 Bar

# Technical Data Sheet

Act Black Mini Basin Mixer - TR1073



No.	Description	Code	Fixings Included
1	Act Black Mini Basin Mixer	TR1073	YES



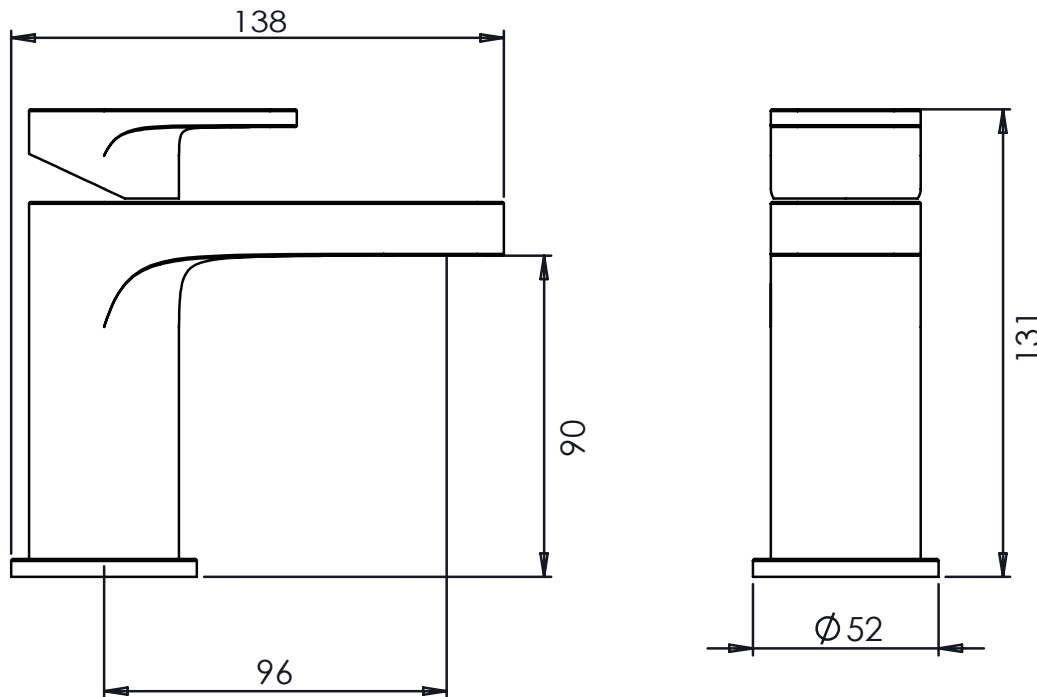
Electroplated

**FLOW RATE DATA IS TESTED UNDER LABORATORY CONDITIONS: ACTUAL FLOW RATE MAY VARY DEPENDING ON DOMESTIC SUPPLY AND ACCESSORIES**

Pressure:	Flow Rate:
0.2bar	4 litres / min
0.3bar	4.5 litres / min
0.4bar	5.2litres / min
0.5bar	5.6 litres / min
1bar	5.6 litres / min
2bar	5.6 litres / min

## Dimensions - TR1073

Diagrams not to scale. All dimensions in mm (tolerance of +/-5mm)



\*Dimensions are subject to change, customers are advised to measure actual product before commencing installation.

## FAQs

- What is the size of the tap tail connection?** The tap tails have a standard 1/2" BSP fixing.
- What bore is the tap tail?** The tails have a 10mm internal bore.
- What length are the tap tails?** The tails are 300mm in length.
- Does the tap come fitted with an aerator?** Yes, the aerator comes pre-installed but can be replaced.
- What is the recommended minimum pressure?** 0.2 Bar

# Technical Data Sheet

Act Black Bath Filler - TR1074



No.	Description	Code	Fixings Included
1	Act Black Bath Filler	TR1074	YES

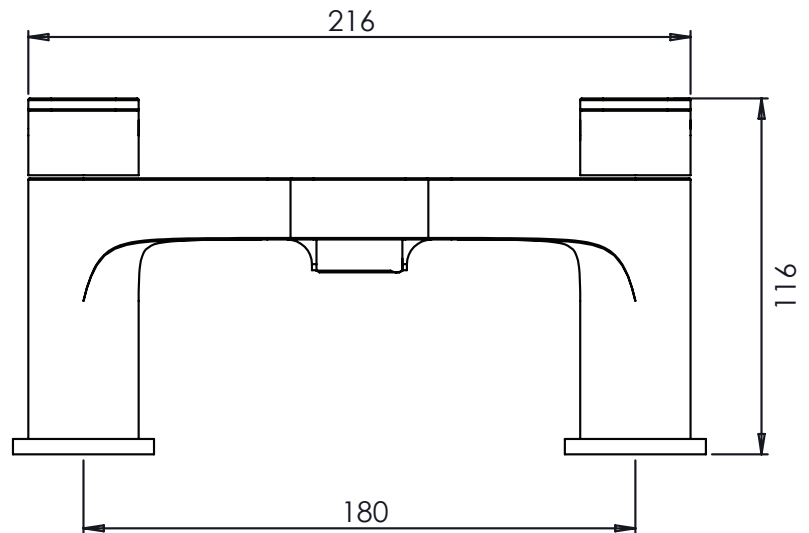
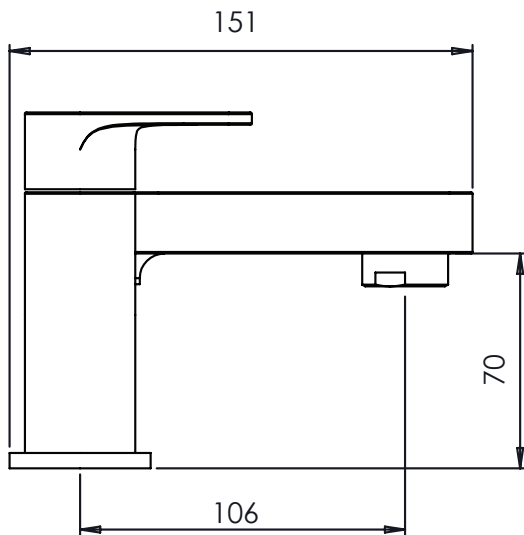


**FLOW RATE DATA IS TESTED UNDER LABORATORY CONDITIONS: ACTUAL FLOW RATE MAY VARY DEPENDING ON DOMESTIC SUPPLY AND ACCESSORIES**

Pressure:	Flow Rate:
0.2bar	14 litres / min
0.3bar	16.8 litres / min
0.4bar	18.6 litres / min
0.5bar	20.9 litres / min
1bar	29.6 litres / min
2bar	41.6 litres / min

## Dimensions - TR1074

Diagrams not to scale. All dimensions in mm (tolerance of +/-5mm)



\*Dimensions are subject to change, customers are advised to measure actual product before commencing installation.

## FAQs

**Does the tap come fitted with an aerator?** Yes, the aerator comes pre-installed but can be replaced.

**What size plumbing fittings are needed for the threaded legs?** This product will work with standard 3/4" plumbing fittings.

**What is the recommended minimum pressure?** 0.2 Bar

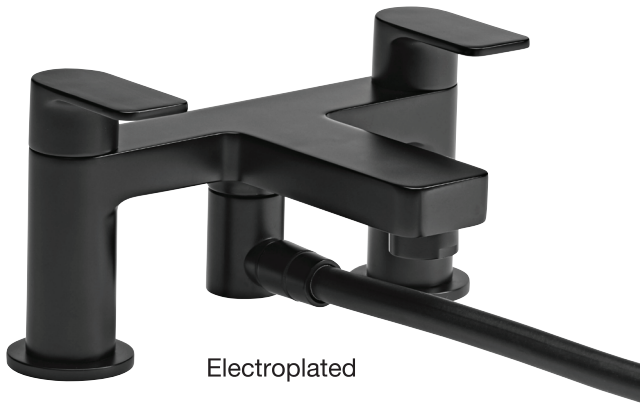


# Technical Data Sheet

Act Black Bath Shower Mixer - TR1082



No.	Description	Code	Fixings Included
1	Act Black Bath Shower Mixer	TR1082	YES

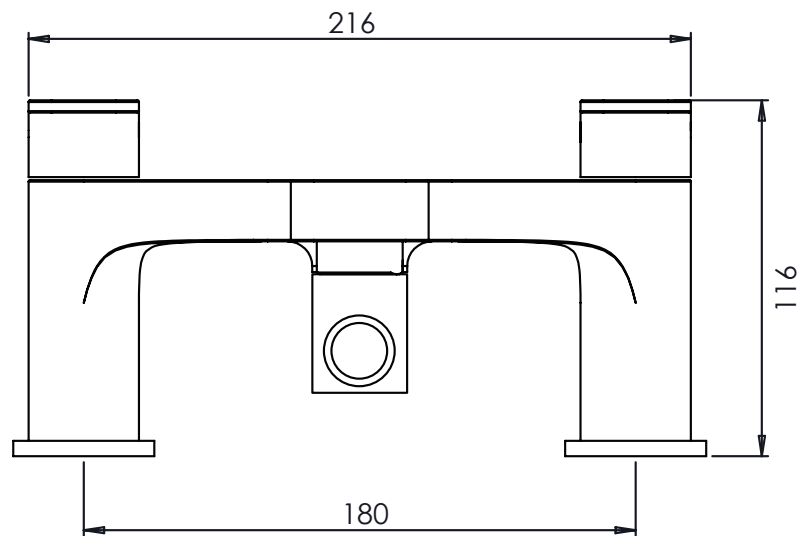
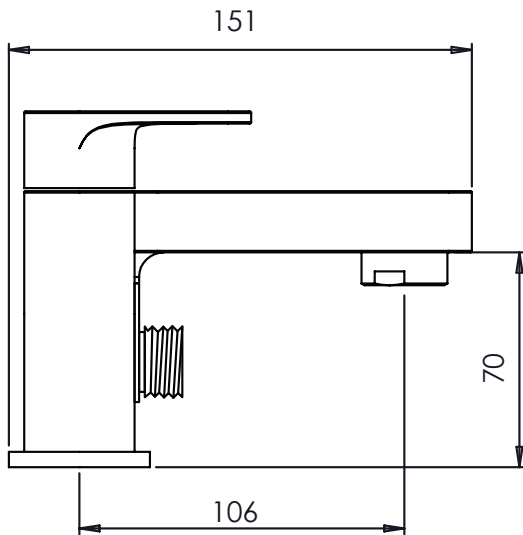


**FLOW RATE DATA IS TESTED UNDER LABORATORY CONDITIONS: ACTUAL FLOW RATE MAY VARY DEPENDING ON DOMESTIC SUPPLY AND ACCESSORIES**

Pressure:	Flow Rate:
0.2bar	14 litres / min
0.3bar	16.8 litres / min
0.4bar	18.6 litres / min
0.5bar	20.9 litres / min
1bar	29.6 litres / min
2bar	41.6 litres / min

## Dimensions - TR1082

Diagrams not to scale. All dimensions in mm (tolerance of +/-5mm)



\*Dimensions are subject to change, customers are advised to measure actual product before commencing installation.

## FAQs

**Does the tap come fitted with an aerator?**

Yes, the aerator comes pre-installed but can be replaced.

**What size plumbing fittings are needed for the threaded legs?**

This product will work with standard 3/4" plumbing fittings.

**What size are the connections for the shower hose?**

The threaded connections on the shower hose are a standard 1/2" BSP connection.

**What is the recommended minimum pressure? 0.2 Bar**