

# Technical Data Sheet

Crew Basin Mixer - TR1025 (Chrome), TR1136 (Brushed Brass)



No.	Description	Code	Fixings Included
1	Crew Basin Mixer	TR1025, TR1136	YES

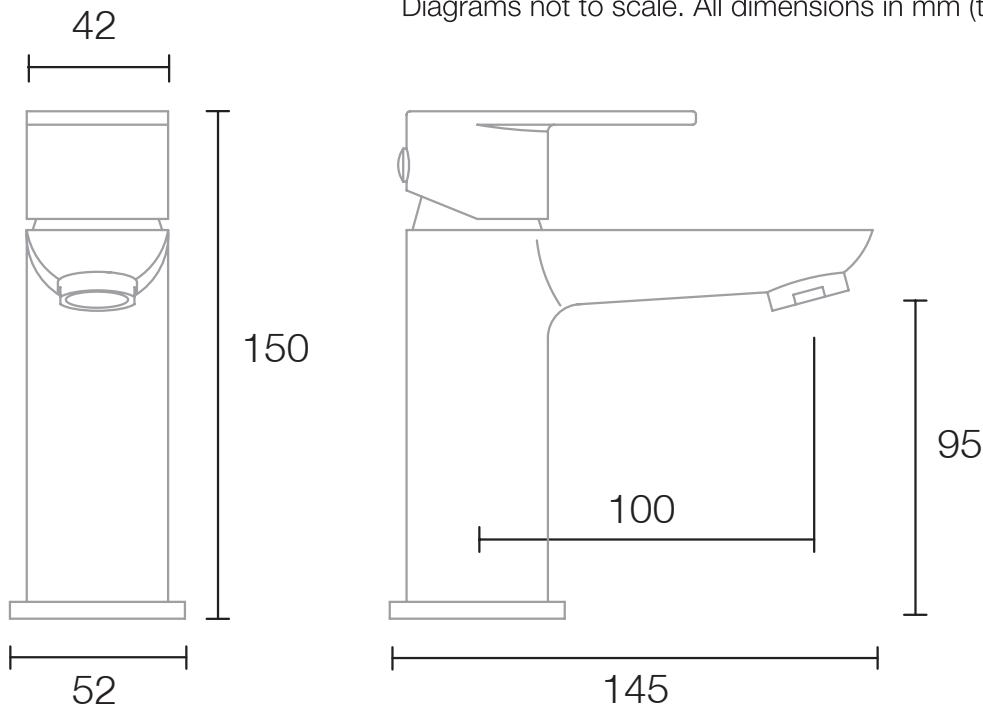


**FLOW RATE DATA IS TESTED UNDER LABORATORY CONDITIONS: ACTUAL FLOW RATE MAY VARY DEPENDING ON DOMESTIC SUPPLY AND ACCESSORIES**

Pressure:	Flow Rate:
0.2bar	5.3 litres / min
0.3bar	6.4 litres / min
0.4bar	7.3 litres / min
0.5bar	8.2 litres / min
1bar	11.4 litres / min
2bar	16.2 litres / min
3bar	19.9 litres / min

## Dimensions

Diagrams not to scale. All dimensions in mm (tolerance of +/-5mm)



\*Dimensions are subject to change, customers are advised to measure actual product before commencing installation.

## FAQs

**What is the size of the tap tail connection?** The tap tails have a standard 1/2" BSP fixing.

**What bore is the tap tail?** The tails have a 10mm internal bore.

**What length are the tap tails?** The tails are 300mm in length.

**Does the tap come fitted with an aerator?** Yes, the aerator comes pre-installed but can be replaced.

**What is the recommended minimum pressure?** 0.2 Bar

# Technical Data Sheet

Crew Mini Basin Mixer - TR1026 (Chrome), TR1137 (Brushed Brass)



No.	Description	Code	Fixings Included
1	Crew Mini Basin Mixer	TR1026, TR1137	YES

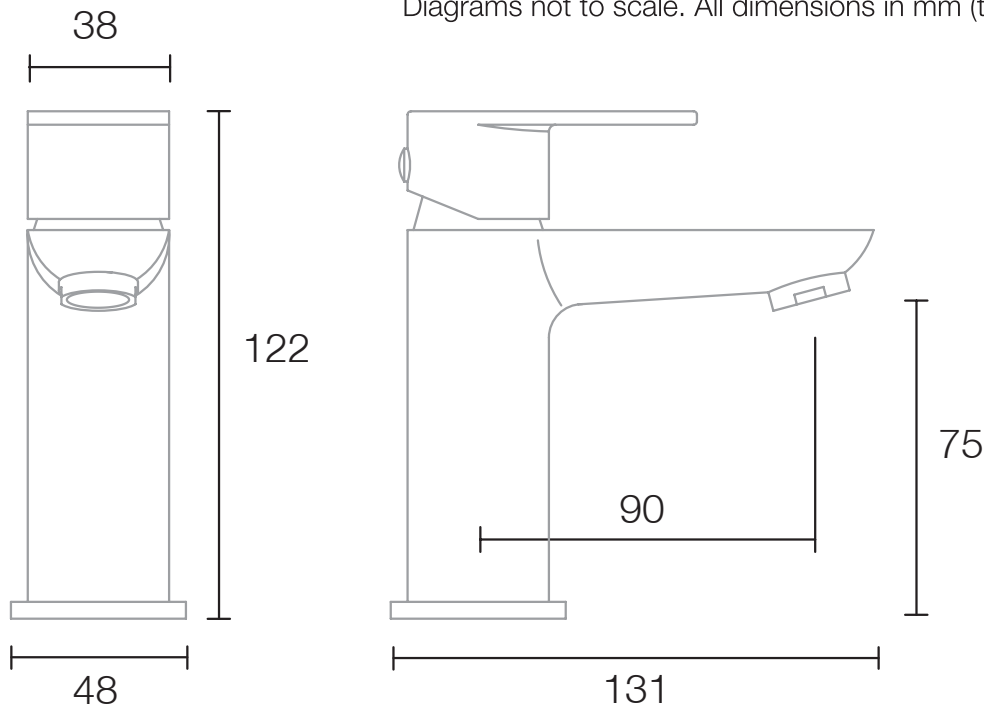


**FLOW RATE DATA IS TESTED UNDER LABORATORY CONDITIONS: ACTUAL FLOW RATE MAY VARY DEPENDING ON DOMESTIC SUPPLY AND ACCESSORIES**

Pressure:	Flow Rate:
0.2bar	4.6 litres / min
0.3bar	5.5 litres / min
0.4bar	6.3 litres / min
0.5bar	7.2 litres / min
1bar	9.6 litres / min
2bar	13.7 litres / min
3bar	16.7 litres / min

## Dimensions

Diagrams not to scale. All dimensions in mm (tolerance of +/-5mm)



\*Dimensions are subject to change, customers are advised to measure actual product before commencing installation.

## FAQs

- What is the size of the tap tail connection?** The tap tails have a standard 1/2" BSP fixing.
- What bore is the tap tail?** The tails have a 10mm internal bore.
- What length are the tap tails?** The tails are 300mm in length.
- Does the tap come fitted with an aerator?** Yes, the aerator comes pre-installed but can be replaced.
- What is the recommended minimum pressure?** 0.3 Bar

# Technical Data Sheet

Crew Tall Basin Mixer - TR1084 (Chrome), TR1140 (Brushed Brass)



No.	Description	Code	Fixings Included
1	Crew Tall Basin Mixer	TR1084, TR1140	YES

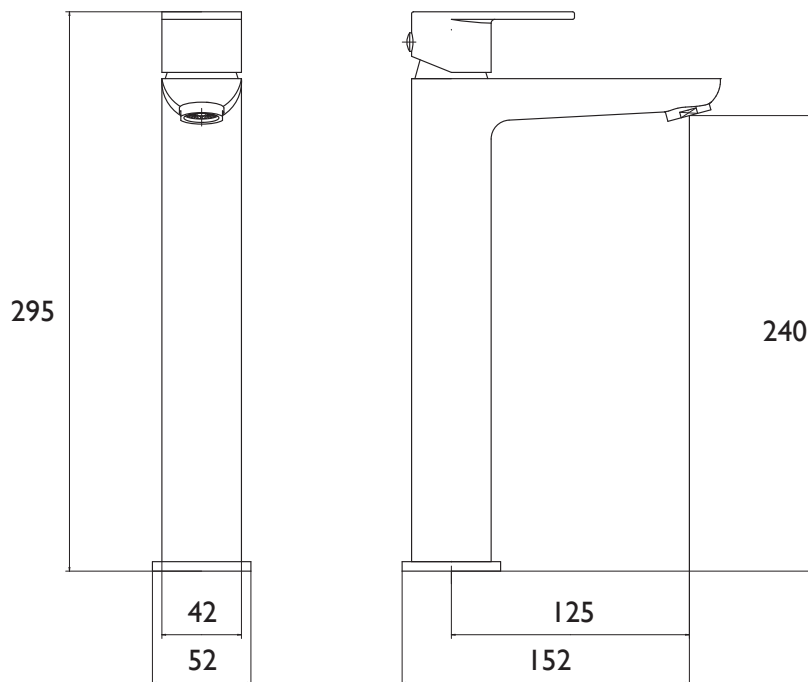


**FLOW RATE DATA IS TESTED UNDER LABORATORY CONDITIONS: ACTUAL FLOW RATE MAY VARY DEPENDING ON DOMESTIC SUPPLY AND ACCESSORIES**

Pressure:	Flow Rate:
0.2bar	3.8 litres / min
0.3bar	5 litres / min
0.4bar	6.2 litres / min
0.5bar	7.6 litres / min
1bar	10.8 litres / min
2bar	16 litres / min
3bar	19.6 litres / min

## Dimensions

Diagrams not to scale. All dimensions in mm (tolerance of +/-5mm)



\*Dimensions are subject to change, customers are advised to measure actual product before commencing installation.

## FAQs

**What is the size of the tap tail connection?** The tap tails have a standard 1/2" BSP fixing.

**What bore is the tap tail?** The tails have a 10mm internal bore.

**What length are the tap tails?** The tails are 300mm in length.

**Does the tap come fitted with an aerator?** Yes, the aerator comes pre-installed but can be replaced.

**What is the recommended minimum pressure?** 0.3 Bar

# Technical Data Sheet

Crew Bath Filler - TR1027 (Chrome), TR1138 (Brushed Brass)



No.	Description	Code	Fixings Included
1	Crew Bath Filler	TR1027, TR1138	YES

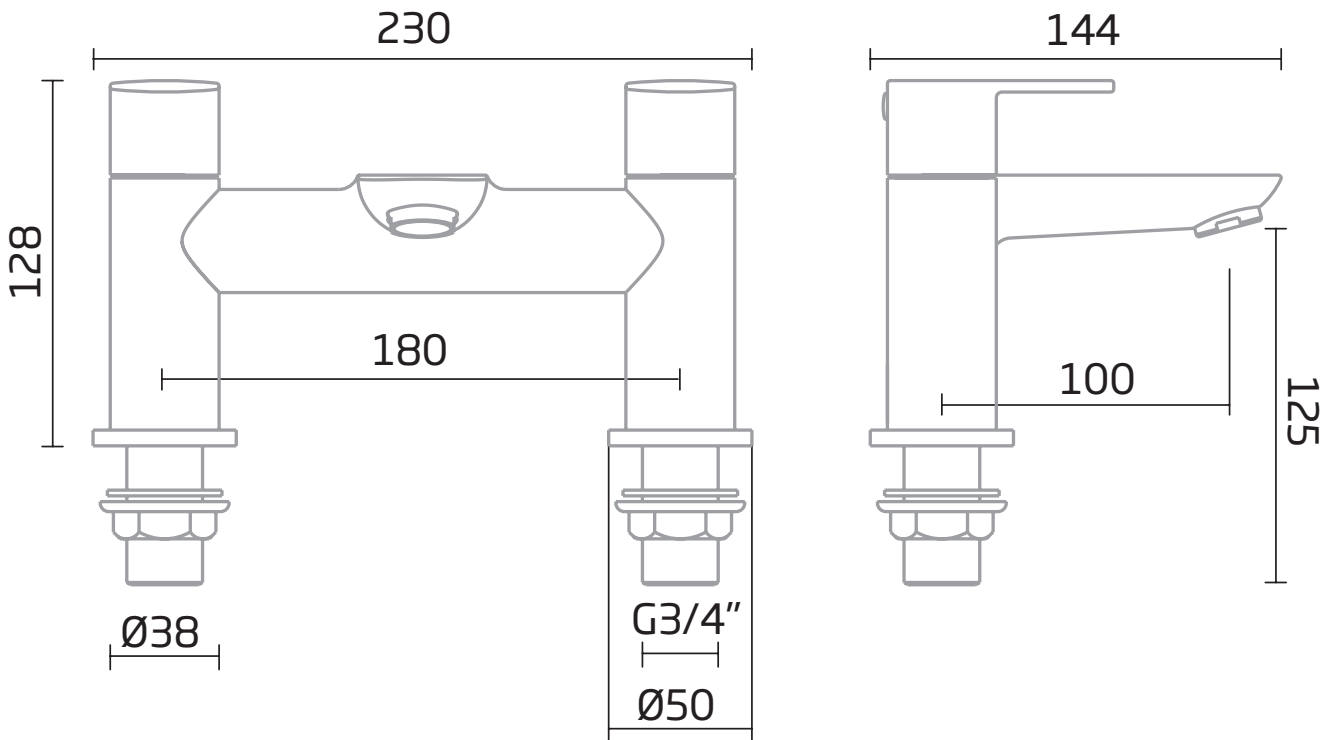
**FLOW RATE DATA IS TESTED UNDER LABORATORY CONDITIONS: ACTUAL FLOW RATE MAY VARY DEPENDING ON DOMESTIC SUPPLY AND ACCESSORIES**



Pressure:	Flow Rate:
0.2bar	14 litres / min
0.3bar	16.8 litres / min
0.4bar	19.2 litres / min
0.5bar	21.4 litres / min
1bar	29.8 litres / min
2bar	42 litres / min
3bar	51.8 litres / min

## Dimensions

Diagrams not to scale. All dimensions in mm (tolerance of +/-5mm)



\*Dimensions are subject to change, customers are advised to measure actual product before commencing installation.

## FAQs

**Does the tap come fitted with an aerator?** Yes, the aerator comes pre-installed but can be replaced.

**What size plumbing fittings are needed for the threaded legs?** This product will work with standard 3/4" plumbing fittings.

**What is the recommended minimum pressure?** 0.3 Bar

# Technical Data Sheet

Crew Bath Shower Mixer - TR1028 (Chrome), TR1139 (Brushed Brass)



No.	Description	Code	Fixings Included
1	Crew Bath Shower Mixer	TR1028, TR1139	YES

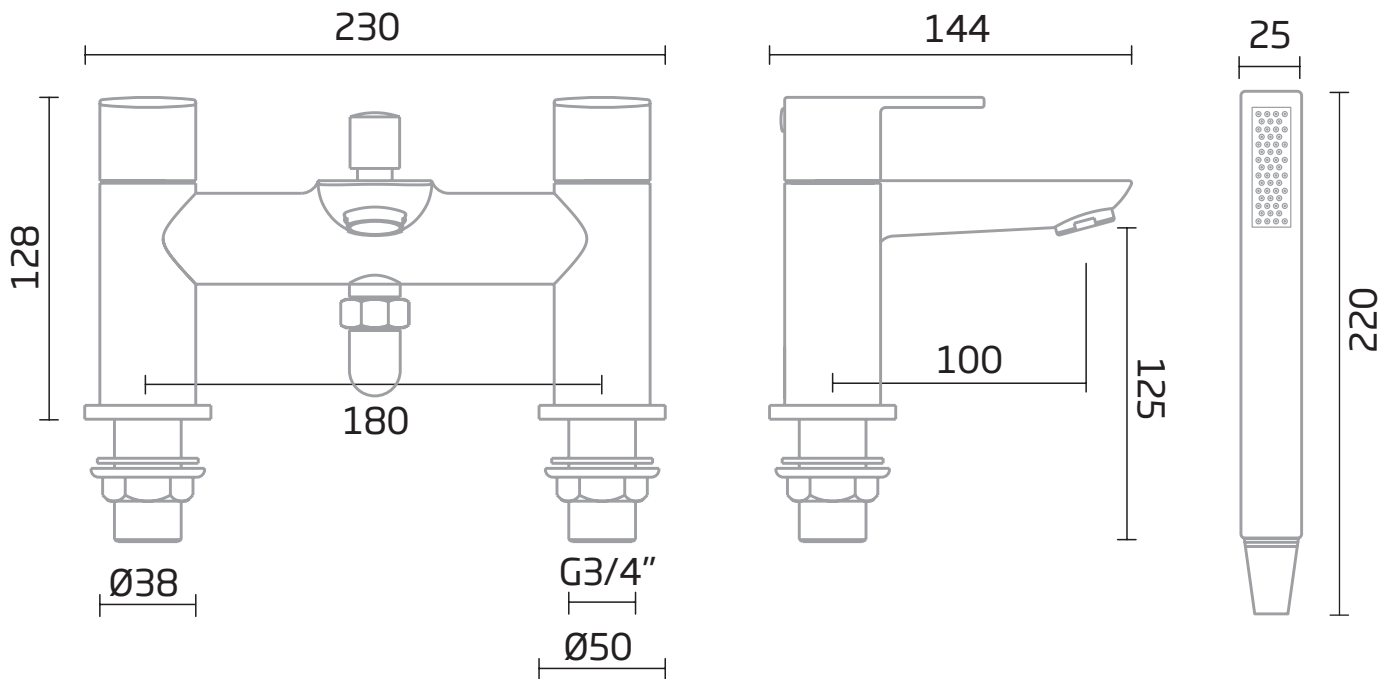


**FLOW RATE DATA IS TESTED UNDER LABORATORY CONDITIONS: ACTUAL FLOW RATE MAY VARY DEPENDING ON DOMESTIC SUPPLY AND ACCESSORIES**

Pressure:	Flow Rate:
0.2bar	11.4 litres / min
0.3bar	13.8 litres / min
0.4bar	15.9 litres / min
0.5bar	17.7 litres / min
1bar	24.6 litres / min
2bar	34.5 litres / min
3bar	42.2 litres / min

## Dimensions

Diagrams not to scale. All dimensions in mm (tolerance of +/-5mm)



\*Dimensions are subject to change, customers are advised to measure actual product before commencing installation.

## FAQs

**Does the tap come fitted with an aerator?**

Yes, the aerator comes pre-installed but can be replaced.

**What size plumbing fittings are needed for the threaded legs?**

This product will work with standard 3/4" plumbing fittings.

**What size are the connections for the shower hose?**

The threaded connections on the shower hose are a standard 1/2" BSP connection.

**What is the recommended minimum pressure?** 0.3 Bar