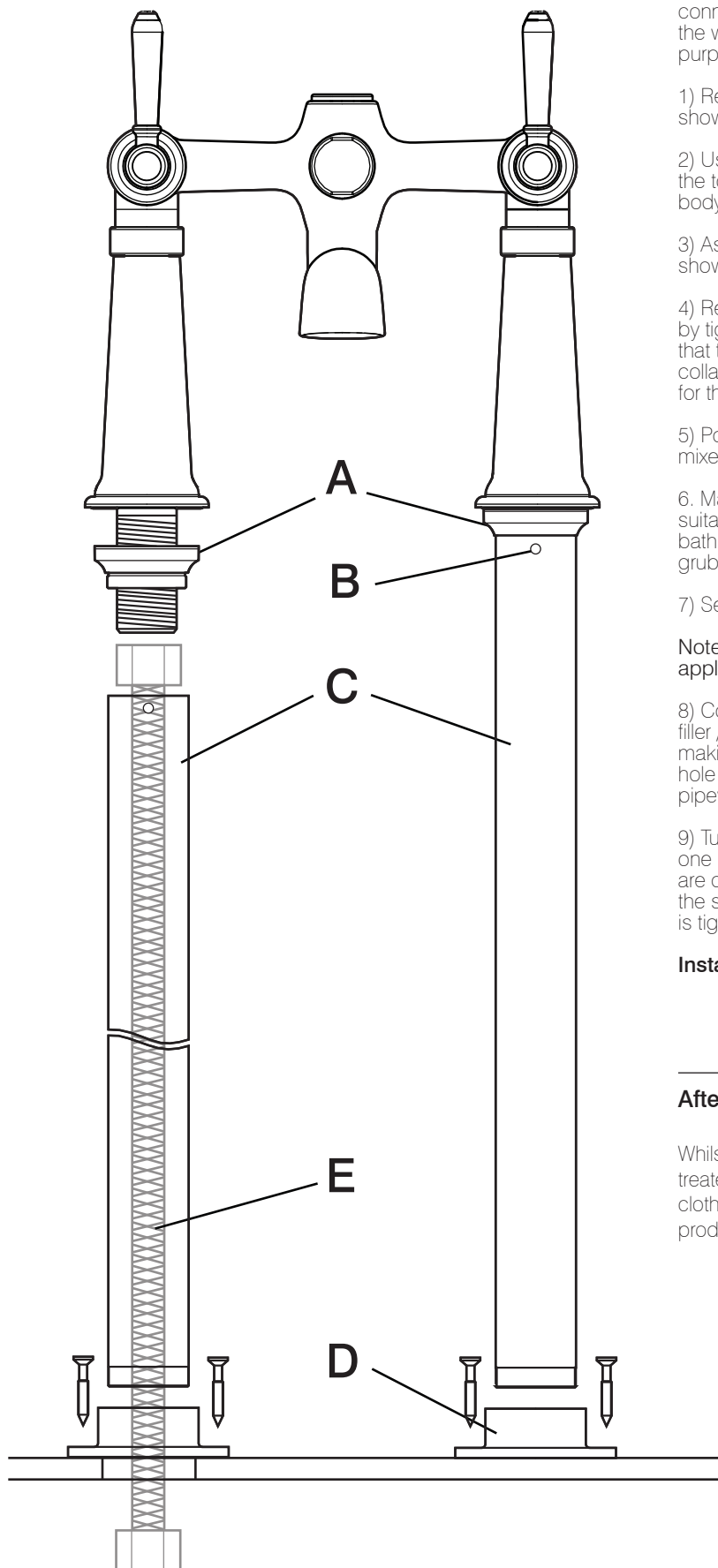


Stand Pipes

Installation Instructions



Installation Procedure:

Before installing the bath filler / bathshower mixer, ensure the desired installation position is suitable and allows access for the pipework to be connected to the bath / shower mixer through the stand pipes. Turn off the water supply prior to installation. Bath filler shown is for illustrative purposes and not supplied.

- 1) Remove the fixing nuts and washers from the bath filler or bath shower mixer legs.
 - 2) Using an allen key, remove the stand pipe threaded collars (A) from the top of the stand pipes by loosening the grub screw (B) on the pipe body (C).
 - 3) Assemble the stand pipe threaded collars (A) to the bath filler / bath shower mixer 3/4" threaded leg inlets.
 - 4) Reassemble the stand pipe threaded collars (A) to the stand pipes by tightening them to the pipe body (C) with the grub screw (B). Ensure that the grub screw is tightened into the plastic collar on the threaded collars. This will ensure the stand pipes are the correct distance apart for the next step.
 - 5) Position the fully assembled stand pipe and bath filler / bath shower mixer in the desired installation location.
 6. Mark the stand pipe base (D) fixing holes on the floor and make a suitably sized hole in the floor for pipework to pass through. Remove the bath filler / bath shower mixer from the stand pipes by loosening the grub screws (B).
 - 7) Secure the stand pipe base to the floor.
- Note:** The fixings supplied are intended for use on floors - for other applications consult a specialist for suitable fixings.
- 8) Connect the 3/4" flexible hoses (E) to the threaded legs of the bath filler / bath shower mixer and re-position it onto the stand pipes - making sure the hoses pass through the stand pipes and through the hole in the floor. Connect the other end of the hose to the water supply pipework under the floorboards.
 - 9) Turn the water supply back on and run water through the system for one minute to flush the system and check for any leaks. Once leak tests are complete, ensure the bath filler / shower mixer is tightly secured to the stand pipes with the grub screw. Again, ensure that the grub screw is tightening into the plastic collar, which can be rotated if necessary.

Installation is now complete.

Aftercare Instructions

Whilst this item has a high quality durable finish, it should nevertheless be treated with care. Surfaces should be cleaned using only a soft damp cloth and clean water & dried using a soft cotton cloth. Bath cleaning products, even non-scratch ones could damage the finished surface.

Customer Service
Brassmill Lane Trading Estate, Bath, BA1 3JF

Tel: 01225 303 900
Fax: 01225 448 877

GEN.STANDPIPE.12.23.V1