

Technical Data Sheet

Marine Shower System



No.	Description	Code	Fixings Included
1	Marine Shower System	TR3003	YES

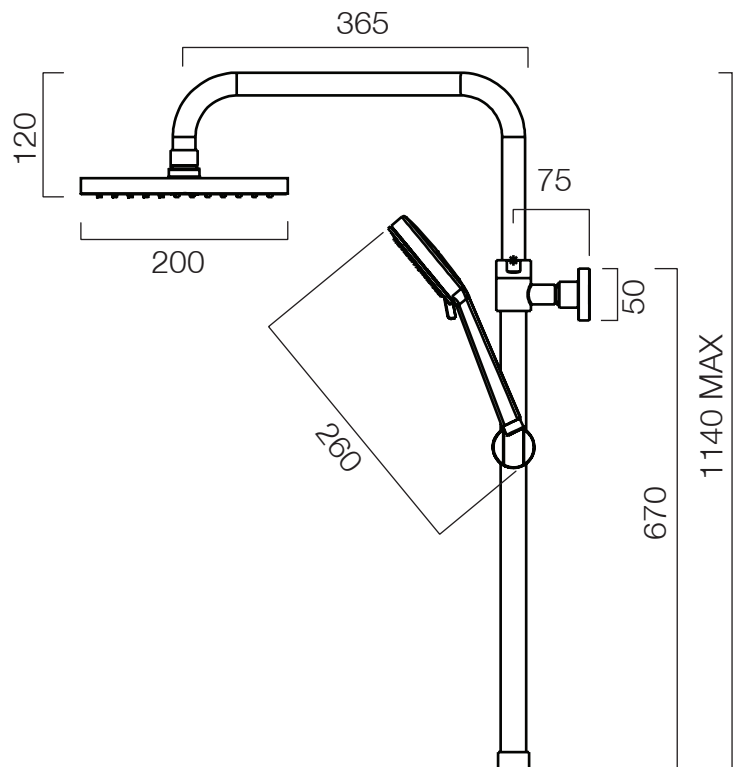
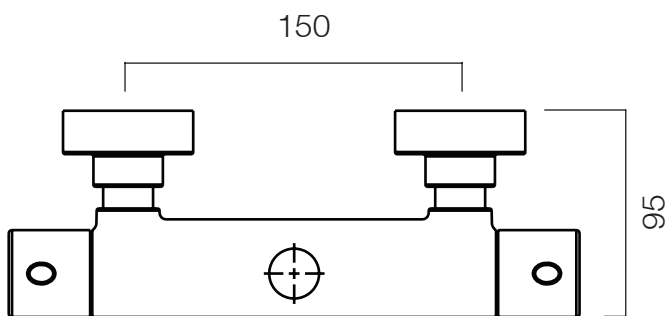
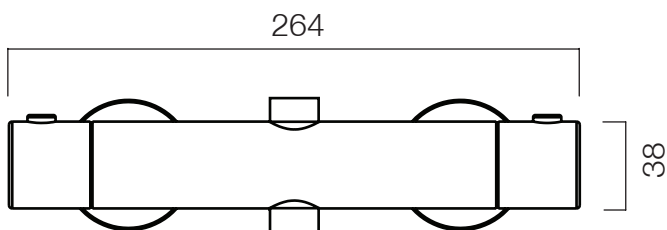


FLOW RATE DATA IS TESTED UNDER LABORATORY CONDITIONS: ACTUAL FLOW RATE MAY VARY DEPENDING ON DOMESTIC SUPPLY AND ACCESSORIES

Min Pressure:	1BAR
1BAR	7.6 l/m
2BAR	10.5 l/m
3BAR	12.6 l/m
4BAR	15 l/m
5BAR	18.5 l/m

Dimensions - TR3003 (Dimensions are subject to change, customers are advised to measure actual product before commencing installation.)

Diagrams not to scale. All dimensions in mm (tolerance of +/-5mm)



FAQ	Answer
Inlet Pipework Diametre	15mm
Valve Outlet Dimension	1/2" BSP
Adjustment Range of Riser Rail (once fixed to wall)	700-1140mm
Hose Length	1.5mm
Height of Shower Handset (in holder)	Adjustable Slider

Component	Material
Shower Valve	Brass (Chrome Plated), Chromed ABS Handles
Valve Wall Covers	Stainless Steel (Chrome Plated)
Riser Rail & Wall Bracket	Stainless Steel (Chrome Plated)
Handset Slider	Chromed ABS
Shower Handset	Chromed ABS
Shower Head	Chromed ABS
Shower Hose	Stainless Steel