

Technical Data Sheet

Marine Shower System - Brass



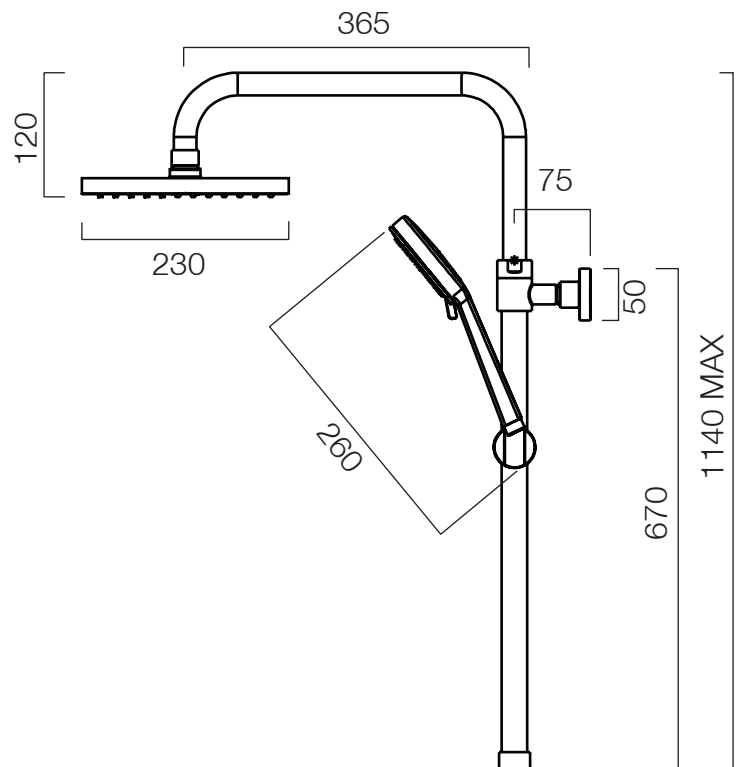
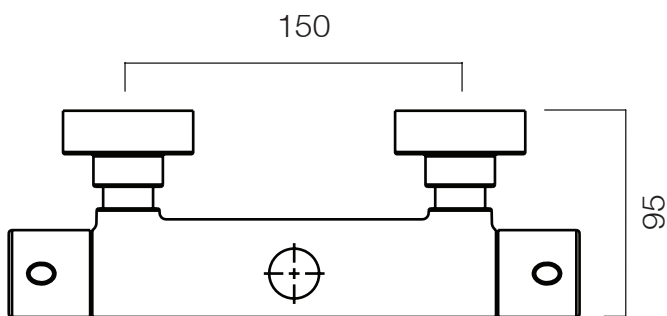
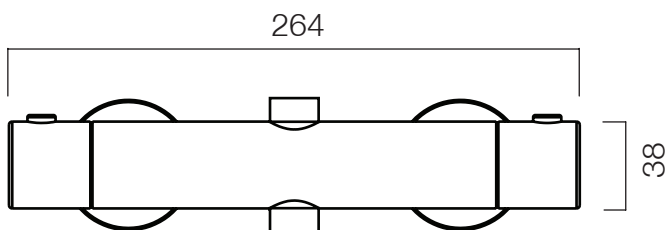
No.	Description	Code	Fixings Included
1	Marine Shower System Brass	TR3027	YES



Min Pressure:	1BAR
1BAR	7.6 l/m
2BAR	10.5 l/m
3BAR	12.6 l/m
4BAR	15 l/m
5BAR	18.5 l/m

Dimensions - TR3027 (Dimensions are subject to change, customers are advised to measure actual product before commencing installation.)

Diagrams not to scale. All dimensions in mm (tolerance of +/-5mm)



FAQ	Answer
Inlet Pipework Diametre	15mm
Valve Outlet Dimension	1/2" BSP
Adjustment Range of Riser Rail (once fixed to wall)	700-1140mm
Hose Length	1.5mm
Height of Shower Handset (in holder)	Adjustable Slider

Component	Material
Shower Valve	Brass Body, Zinc Handles - PVD Coated
Valve Wall Covers	Stainless Steel (PVD Coated)
Riser Rail & Wall Bracket	Stainless Steel (PVD Coated)
Handset Slider	ABS (PVD Coated)
Shower Handset	ABS (PVD Coated)
Shower Head	ABS (PVD Coated)
Shower Hose	Stainless Steel (PVD Coated)