

Technical Data Sheet

Ergo 2F Concealed Shower System - Black



| No. | Description | Codes | Fixings Included |
|-----|---|--------|------------------|
| 1 | Ergo 2F Concealed Shower System - Black | TR3031 | YES |

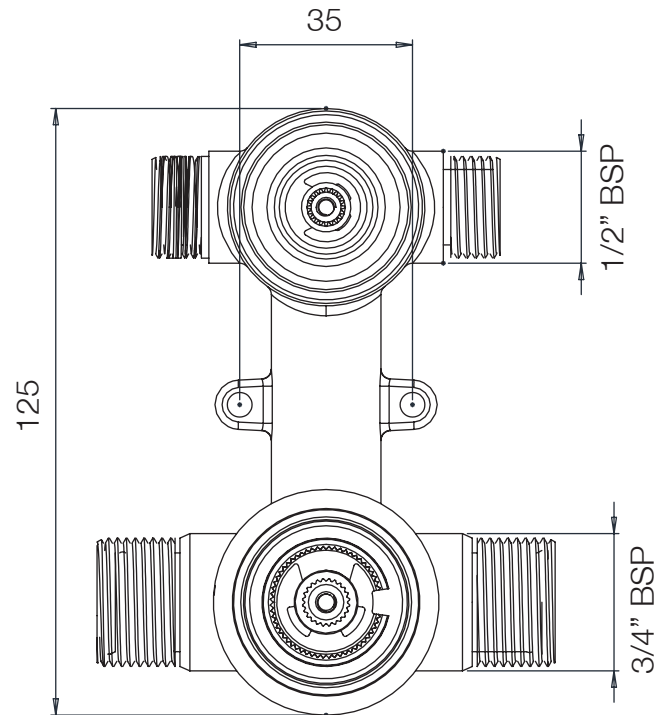
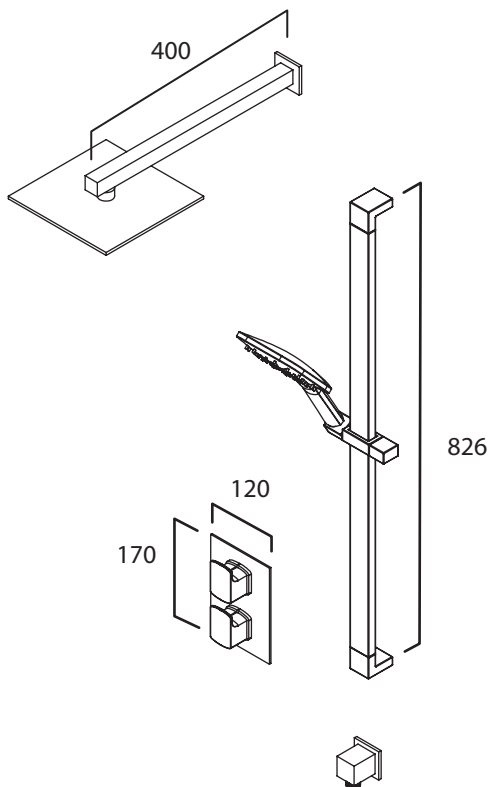


Black Electroplated

FLOW RATE DATA IS TESTED UNDER LABORATORY CONDITIONS: ACTUAL FLOW RATE MAY VARY DEPENDING ON DOMESTIC SUPPLY AND ACCESSORIES

| | |
|-------------------|-------------------|
| Minimum Pressure: | 1BAR |
| Inlet Pressure | Flow Rate (l/min) |
| 0.5bar | 8 |
| 1bar | 9 |
| 2bar | 13.5 |
| 3bar | 17.5 |

Dimensions - Overview



NOTE: VALVE TO BE RECESSED 80-100mm FROM FINISHED WALL SURFACE

FAQs

How tall is the riser rail? 826mm

How long is the shower hose? 1.5m

What is the minimum pressure for the valve? 1.0bar

What is the valve connection size? 1/2" BSP for outlets / 3/4" BSP for inlets

Components

Shower Arm, Shower Head - Brass,
 Wall Elbow, Valve Handles - Brass,
 Riser Rail, Shower Hose - Stainless Steel,
 Shower Handset, Slider - ABS,
 Concealed Valve - Brass