

# Technical Data Sheet

## Ergo 2F Concealed Shower System - Brass

R2

No.	Description	Codes	Fixings Included
1	Ergo 2F Concealed Shower System - Brass	TR3032	YES

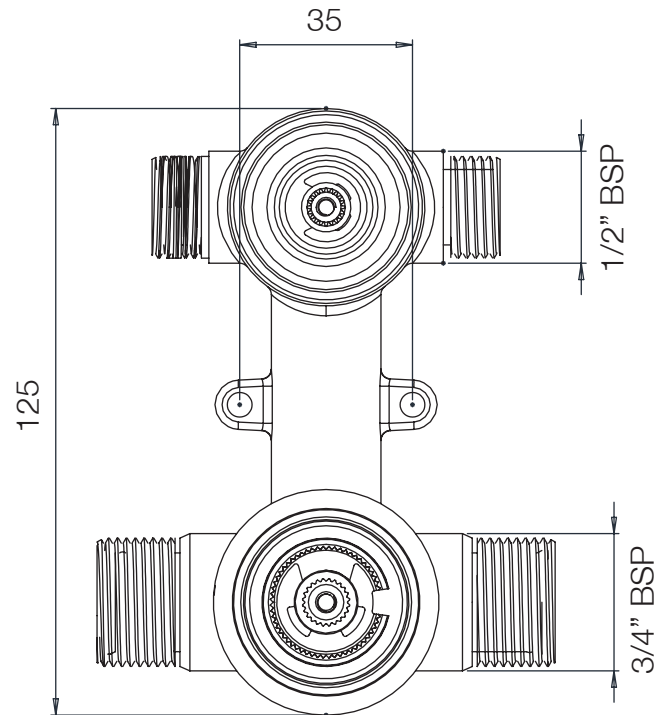
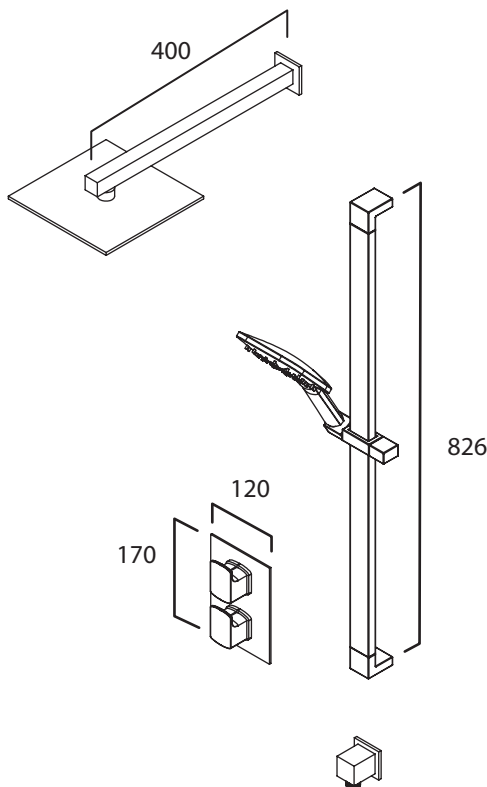


Brushed Brass PVD

**FLOW RATE DATA IS TESTED UNDER LABORATORY CONDITIONS: ACTUAL FLOW RATE MAY VARY DEPENDING ON DOMESTIC SUPPLY AND ACCESSORIES**

Minimum Pressure:	1BAR
Inlet Pressure	Flow Rate (l/min)
0.5bar	8
1bar	9
2bar	13.5
3bar	17.5

### Dimensions - Overview



**NOTE: VALVE TO BE RECESSED 80-100mm FROM FINISHED WALL SURFACE**

### FAQs

**How tall is the riser rail?** 826mm

**How long is the shower hose?** 1.5m

**What is the minimum pressure for the valve?** 1.0bar

**What is the valve connection size?** 1/2" BSP for outlets / 3/4" BSP for inlets

### Components

- Shower Arm, Shower Head - Brass,
- Wall Elbow, Valve Handles - Brass,
- Riser Rail, Shower Hose - Stainless Steel,
- Shower Handset, Slider - ABS,
- Concealed Valve - Brass