

Technical Data Sheet

Shower Systems



No.	Description	Code	Fixings Included
1	Halcyon 2F Exposed Shower System	TR3034, TR3035	YES



Chrome Plated



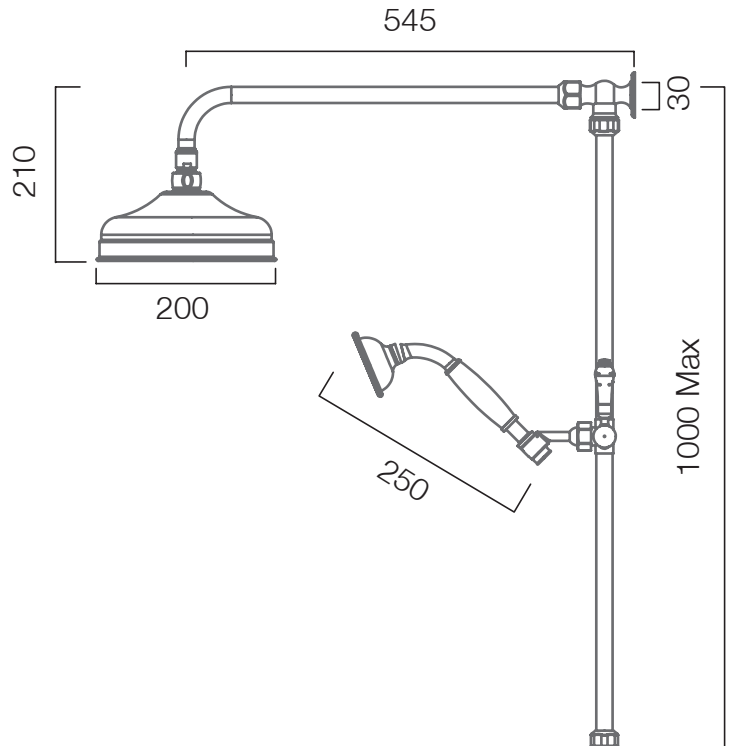
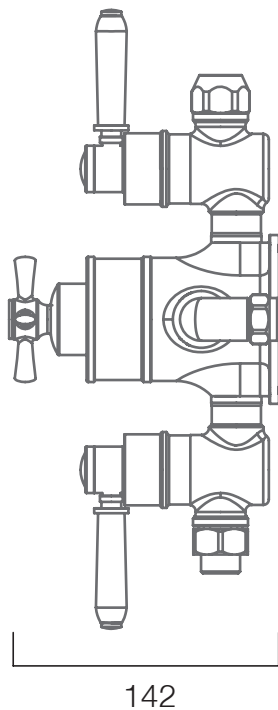
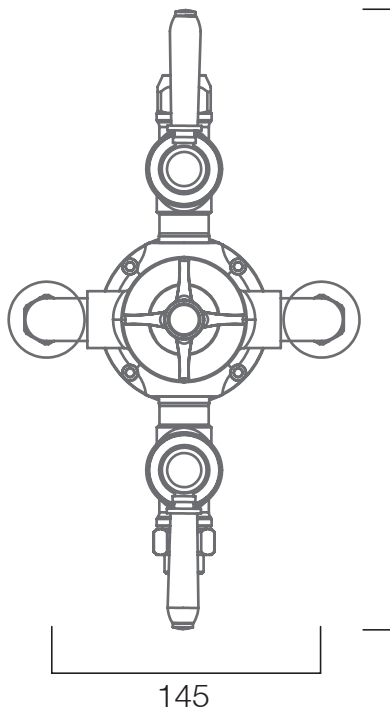
Brushed Brass PVD

FLOW RATE DATA IS TESTED UNDER LABORATORY CONDITIONS: ACTUAL FLOW RATE MAY VARY DEPENDING ON DOMESTIC SUPPLY AND ACCESSORIES

Minimum Pressure:	1BAR
Inlet Pressure	Flow Rate (l/min)
0.5 bar	9.6
1 bar	14.7
2 bar	21.9
3 bar	26.1

Dimensions - Overview

Diagrams not to scale. All dimensions in mm (tolerance of +/-5mm)



FAQs

How tall is the riser rail? 1000mm - this can be cut down if necessary

How long is the shower hose? 1.5m

What is the minimum pressure for the valve? 1.0bar

What is the valve connection size? 1/2" suitable for 15mm pipework

Components

- Shower Arm, Shower Head - Brass,
- Wall Elbow, Valve Handles - Brass,
- Riser Rail, Shower Hose - Stainless Steel,
- Shower Handset, Slider - Brass & Ceramic,
- Exposed Valve - Brass