

Technical Data Sheet

Shower Systems

R2

No.	Description	Code	Fixings Included
1	Joy Dual Function Shower System - Black	TR3038	YES



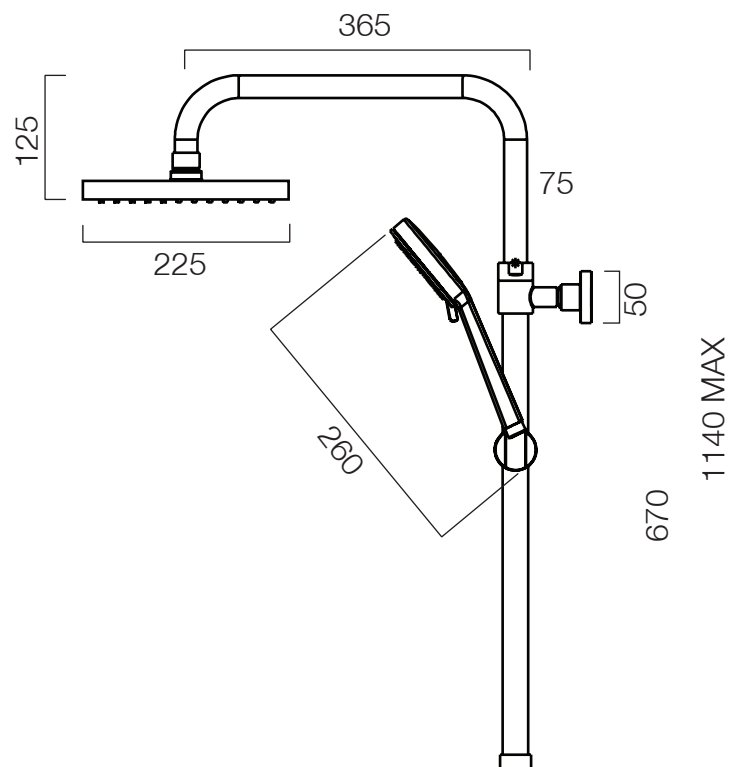
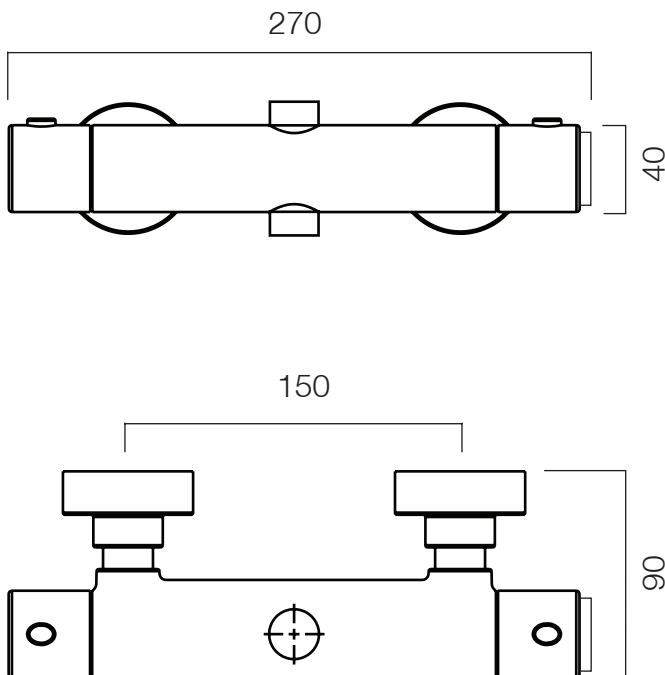
Inlet Pressure	Flow Rate (l/min)
0.2bar	4
0.3bar	5.5
0.5bar	7
1bar	11
2bar	14
3bar	20

Flow from valve may vary depending on accessories and domestic supply.

Dimensions - Overview

Diagrams not to scale. All dimensions in mm (tolerance of +/-5mm)

Diagrams not to scale. All dimensions in mm (tolerance of +/-5mm)



FAQs

How tall is the riser rail? Adjustable height - maximum 1140mm

How long is the shower hose? 1.5m

What is the minimum pressure for the valve? 0.5BAR

What is the valve connection size? 3/4" threaded inlets / 1/2" threaded outlet

Materials:

Riser - Stainless Steel - Electroplated

Valve - Brass (Electroplated)

Cover Plates - Stainless Steel (Electroplated)

Slider - ABS (Electroplated)

Handset - ABS (Electroplated)

Shower Head - ABS (