

# Technical Data Sheet

## Shower Systems



No.	Description	Code	Fixings Included
1	Joy Dual Function Shower System - Black	TR3038	YES



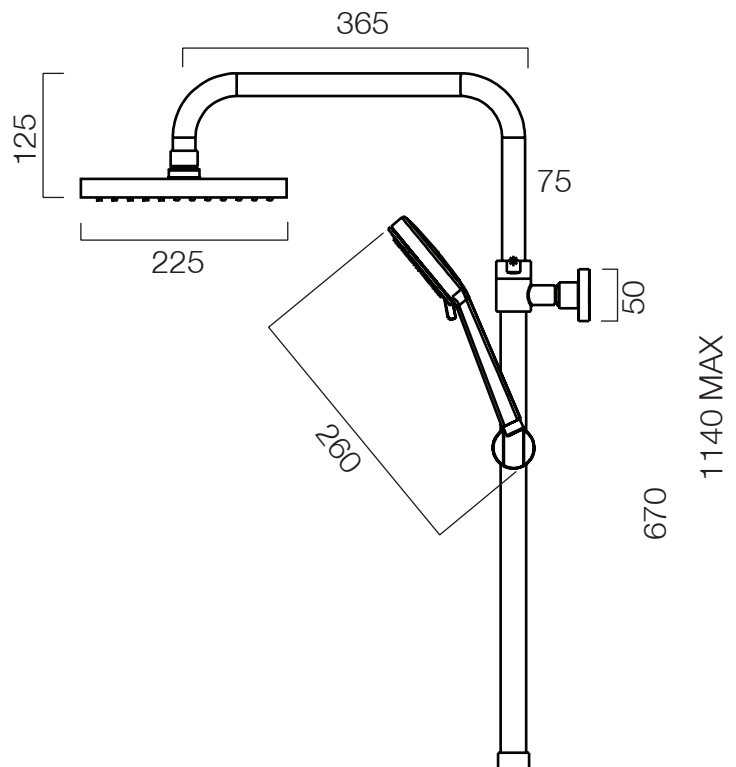
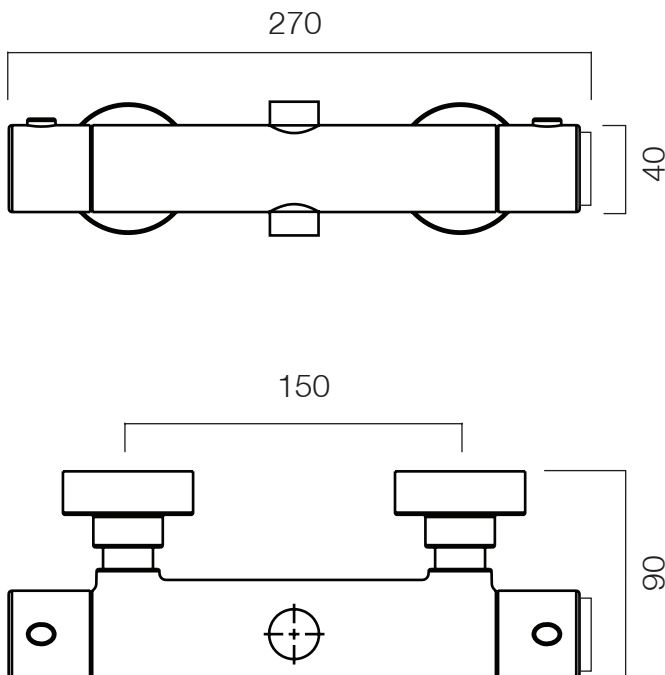
Chrome Plated

**FLOW RATE DATA IS TESTED UNDER LABORATORY CONDITIONS: ACTUAL FLOW RATE MAY VARY DEPENDING ON DOMESTIC SUPPLY AND ACCESSORIES**

Inlet Pressure	Flow Rate (l/min)
0.2bar	4
0.3bar	5.5
0.5bar	7
1bar	11
2bar	14
3bar	20

### Dimensions - Overview

Diagrams not to scale. All dimensions in mm (tolerance of +/-5mm)



### FAQs

**How tall is the riser rail?** Adjustable height - maximum 1140mm

**How long is the shower hose?** 1.5m

**What is the minimum pressure for the valve?** 0.5BAR

**What is the valve connection size?** 3/4" threaded inlets / 1/2" threaded outlet

#### Materials:

**Riser** - Stainless Steel - Electroplated

**Valve** - Brass (Electroplated)

**Cover Plates** - Stainless Steel (Electroplated)

**Slider** - ABS (Electroplated)

**Handset** - ABS (Electroplated)

**Shower Head** - ABS (Electroplated)