

Technical Data Sheet



Marine Dual Function Bar Valve Shower System

Chrome - TR3003, Black - TR3018, Brass - TR3027, Gunmetal - TR3040

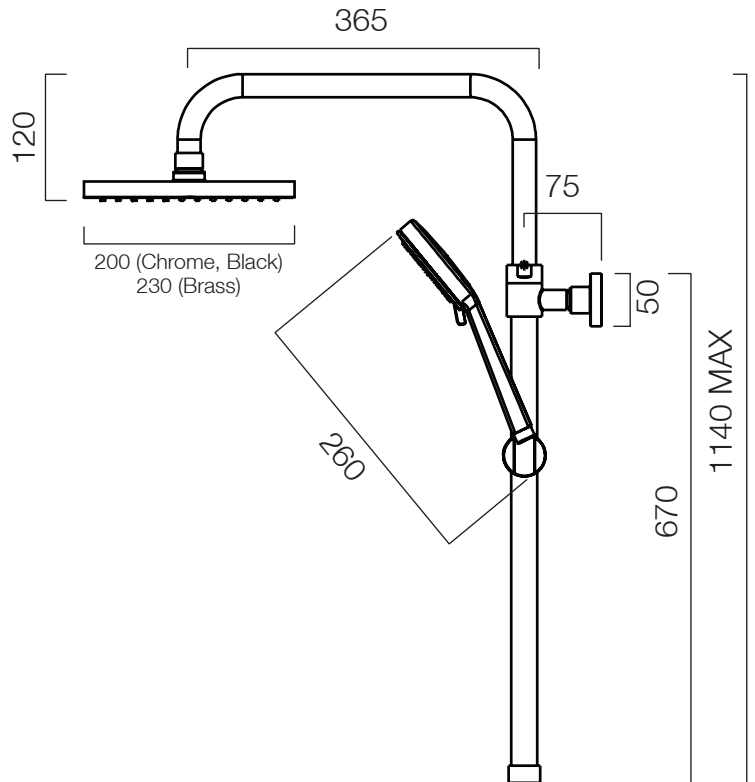
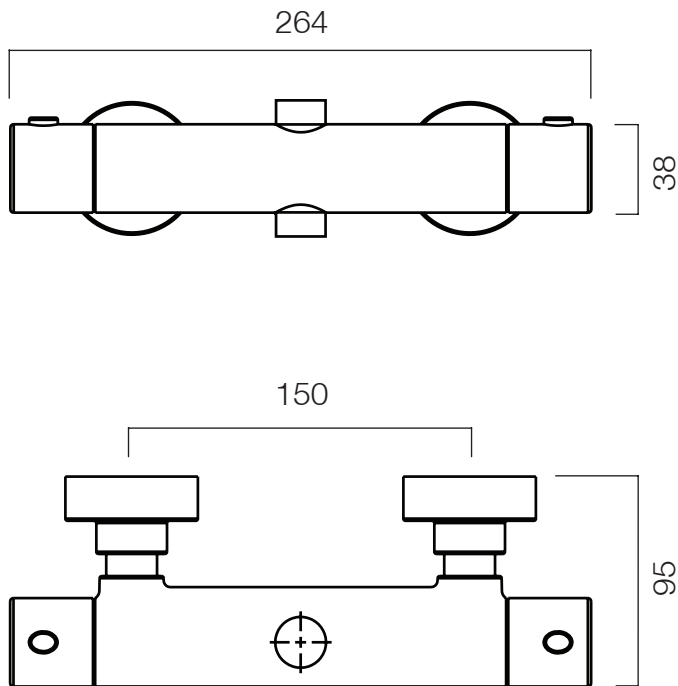


FLOW RATE DATA IS TESTED UNDER LABORATORY CONDITIONS: ACTUAL FLOW RATE MAY VARY DEPENDING ON DOMESTIC SUPPLY AND ACCESSORIES

Minimum Pressure:	1BAR
Pressure:	Flow Rate (l/min)
1BAR	7.6
2BAR	10.5
3BAR	12.6
4BAR	15
5BAR	18.5

Dimensions

Diagrams not to scale. All dimensions in mm (tolerance of +/-5mm)



FAQs

What is the size of the outlet connections? The valve uses 1/2" outlet connections.

Can I have both shower options on at the same time? No

What size Pipework do I need? 15mm

What is the recommended operating pressure? 1.0bar

What is the length of the hose? 1.5m

Component:	Material:
Valve	Brass
Wall Covers	Stainless Steel
Riser Rail & Bracket	Stainless Steel
Handset Slider	ABS
Handset / Head	ABS
Shower Hose	PVC / Stainless Steel