

Technical Data Sheet

Halcyon 2F Concealed Shower System

TR3033 - Chrome, TR3041 - Brass



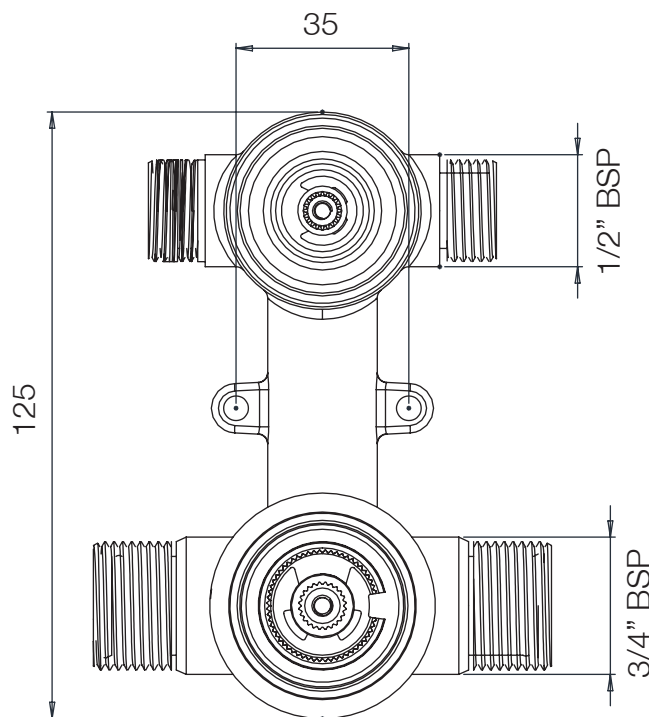
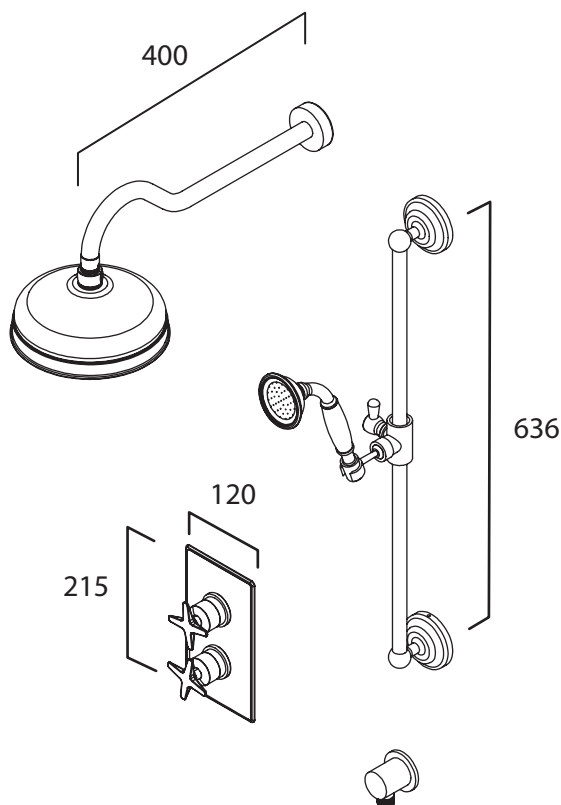
No.	Description	Codes	Fixings Included
1	Halcyon 2F Concealed Shower System	TR3033, TR3041	YES



FLOW RATE DATA IS TESTED UNDER LABORATORY CONDITIONS: ACTUAL FLOW RATE MAY VARY DEPENDING ON DOMESTIC SUPPLY AND ACCESSORIES

Minimum Pressure:	1BAR
Inlet Pressure	Flow Rate (l/min)
0.5bar	8
1bar	9
2bar	13.5
3bar	17.5

Dimensions - Overview



NOTE: VALVE TO BE RECESSED 80-100mm FROM FINISHED WALL SURFACE

FAQs

How tall is the riser rail? 636mm - the riser rail can be cut shorter if necessary

How long is the shower hose? 1.5m

What is the recommended minimum pressure for the valve? 1.0bar

What is the valve connection size? 1/2" BSP for outlets / 3/4" BSP for inlets

Components

Shower Arm, Shower Head - Brass,

Wall Elbow, Valve Handles - Brass,

Riser Rail, Shower Hose - Stainless Steel,

Shower Handset, Slider - Brass & Ceramic,

Concealed Valve - Brass