

Technical Data Sheet

Torrent Concealed Cistern



No.	Description	Product Code	Fixings Included?	Gross Weight
1	Torrent Concealed Cistern	TR9001	Yes	2.8KG



KEY FEATURES

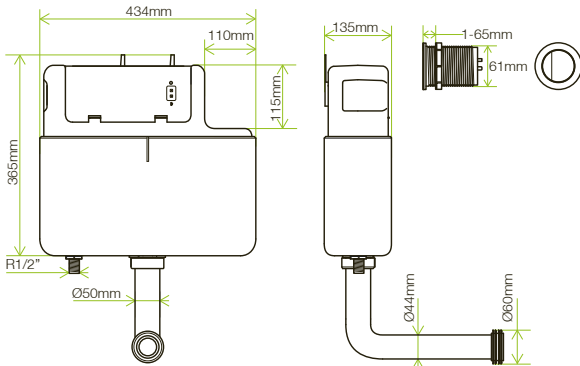
- pre-assembled concealed cistern
- 3/6 litre adjustable flush option
- pneumatic flush valve and push button operation
- bottom entry inlet valve
- top & front access
- 0.1-10.0 bar working pressure range
- flushpipe >90° for neat installation
- polystyrene insulation jacket



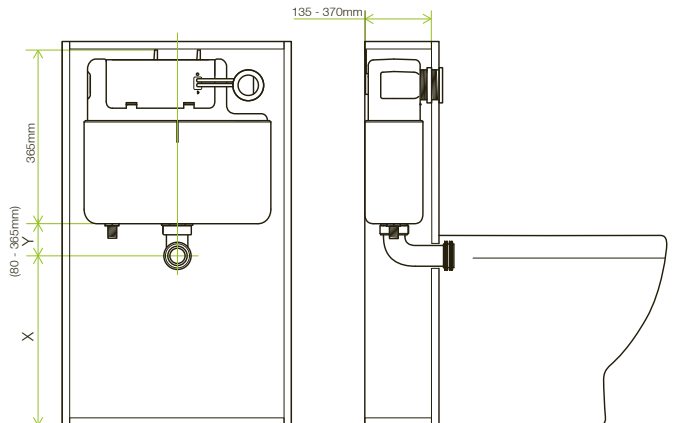
Now comes fitted with air gap inlet valve
Inlet valve WRAS approval number 2105042

DIMENSIONS

DIAGRAMS NOT TO SCALE | ALL DIMENSIONS IN MM TOLERANCE OF ± 5MM
ALL PRODUCTS CONFORM TO BRITISH STANDARDS



general dimensions



fitting dimensions

FAQs

Q - What is the length of the flush pipe to the pan
A - 390mm

Q - What is the length of the push button hoses
A - Approx 700mm

Q - What is the maximum vertical length of the flush pipe to the tank?
A - 400mm

Q - Why does the big (full flush) button go down when pressing the small (reduced flush) button?
A - This is normal due to the button mechanism - the bellow closes the full flush compartment to reduce the total flush.

Q - When the button is pushed it wont go in or flush?
A - Check the hose connections from the back of the button to the valve.

Q - What is the minimum flush volume achievable using this cistern?
A - By following the flush valve adjustment process detailed in the instructions a minimum flush level of 4.5L (full) and 2.6L (reduced) can be achieved. To obtain this flush level the setting used should be 4.5 (white float) and 6 (blue float)