

General Care & Safety

Wall plugs supplied are ONLY suitable for solid stone/brick walls. They are not suitable for use in aerated blocks or similar. If fixing to a stud wall, sufficient extra internal reinforcements must be made to the wall. Screws must locate into suitably reinforced studs and noggins.

Take care using power tools – The use of a residual current device (RCD) is recommended. Beware of hidden cables or pipes when drilling.

This product can be dangerous if installed incorrectly. This product must be installed by a qualified plumber or installer. It is the installer's responsibility to check that the fixings are suitable for the installation in hand.

Cistern fittings are suitable for Water pressure: 0.2 - 10 bar. Do not add caustic chemical substances (e.g. containing chlorine compounds or similar) into the cistern. These can damage the valve components and cause failure.

Before starting to enclose the cistern, the system must be first tested for leaks before 2nd fix commences. Temporarily fix the back to wall pan in place and make connections. Turn the water supply on and flush the pan to check for leaks. This is particularly important to do prior to tiling for fully tiled installations

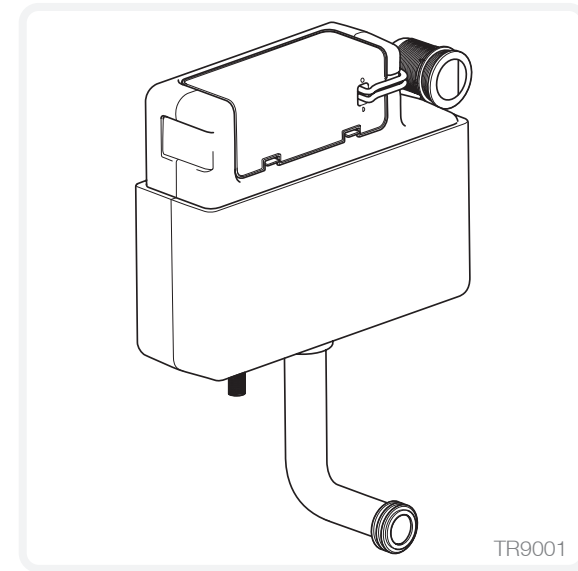
This cistern is not suitable for use with wall hung pans without the use of a suitable supporting frame.

Torrent

Slimline Concealed Cistern

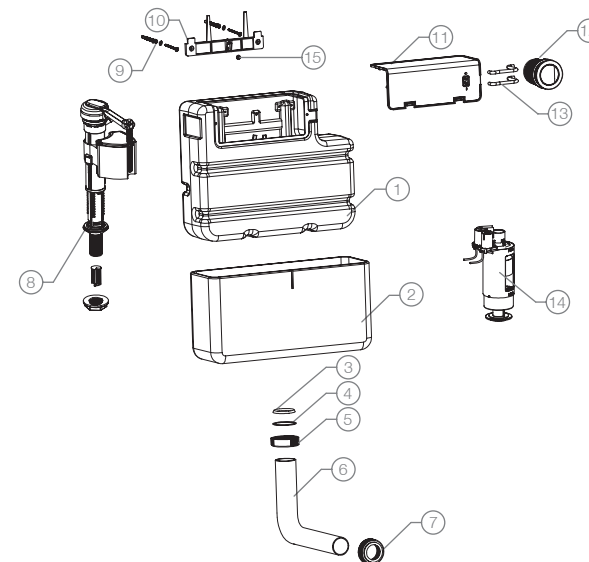
Please retain for future reference

△ TR9001



This product must be installed by a qualified fitter or plumber in accordance with and meet the requirements of the Water Supply (Water Fittings) Regulations 1999 and Scottish Byelaws 2004

Parts included



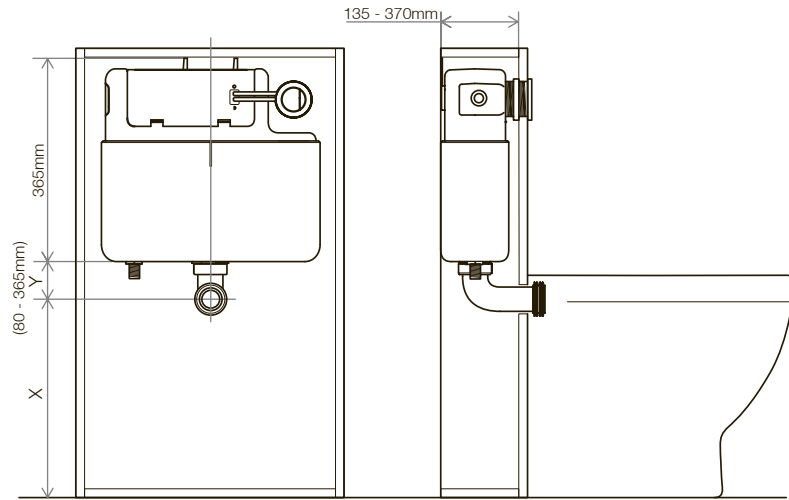
1. Cistern
2. EPS Jacket
3. Seal
4. Washer
5. Flush Bend Nut
6. Flush Bend
7. Key Seal
8. Bottom Entry Fill Valve
9. 2 x Attaching Screws
10. Attachment Plate
11. Cistern Cover
12. Pneumatic Push-button
13. Air Hoses
14. Flush Valve
15. Cistern Fixing Screw

Brought to you by the Roper Rhodes Group
Brassmill Lane Trading Estate
Bath
BA1 3JF
t: 01225 303900

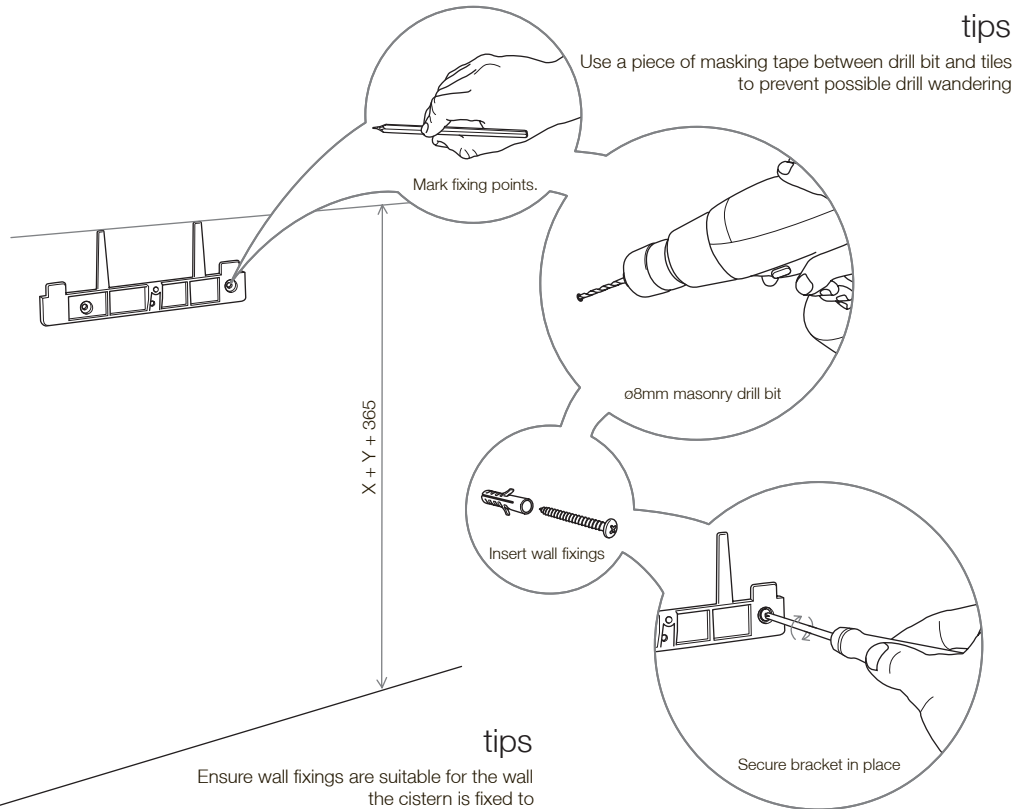


16
TR9001
Personal Hygiene
BS EN 14055: 2010 - CL 2 - 6

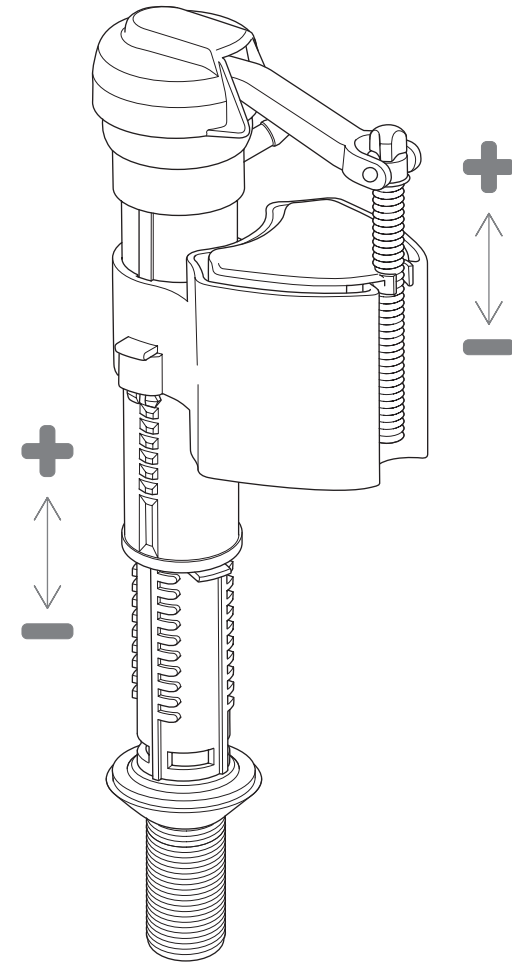
Fitting dimensions



Installation of the cistern

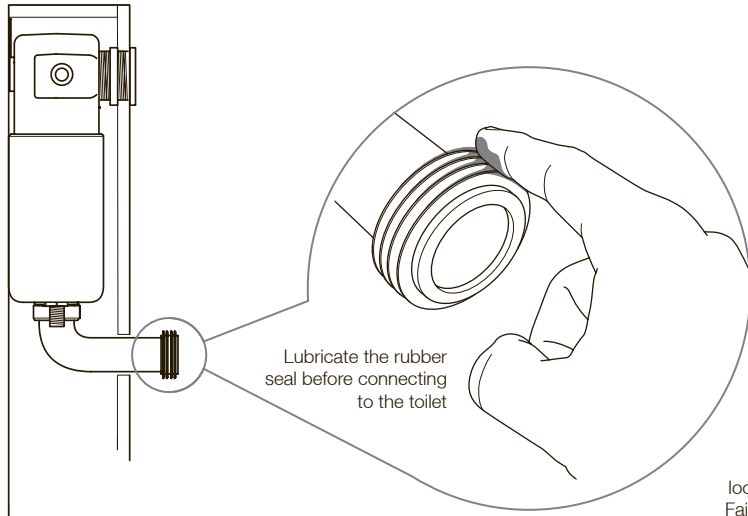


Adjusting the water level



By adjusting the fill valve the water level can either be increased or decreased accordingly

Fixing the toilet

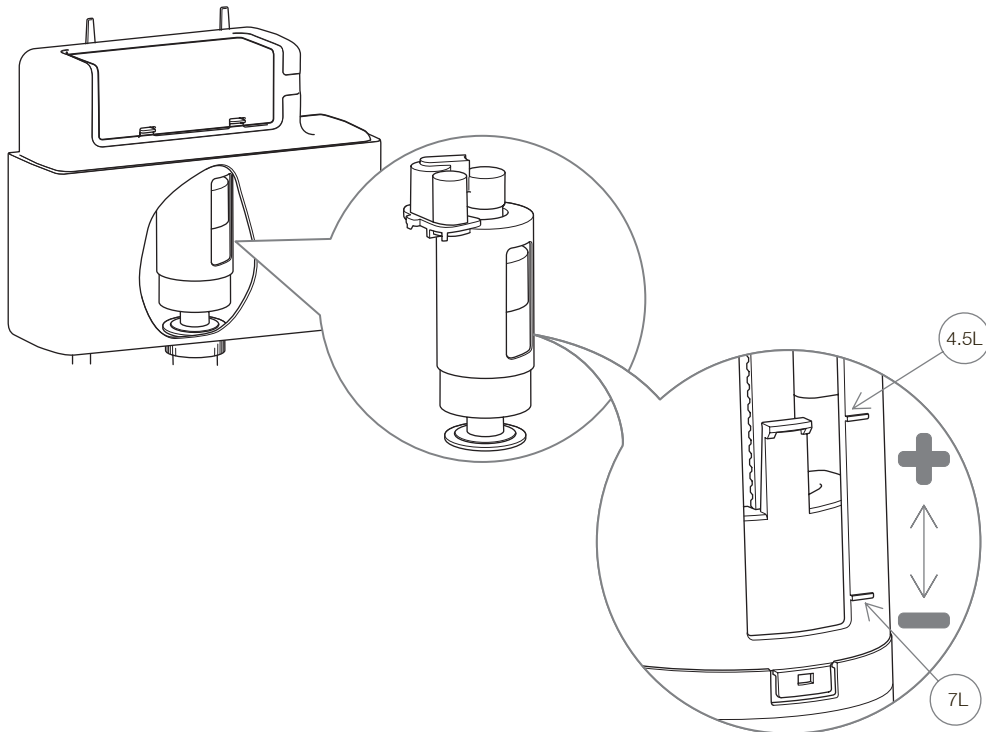


note
Lubricant not supplied.
Please use a suitable
plumbers grease.

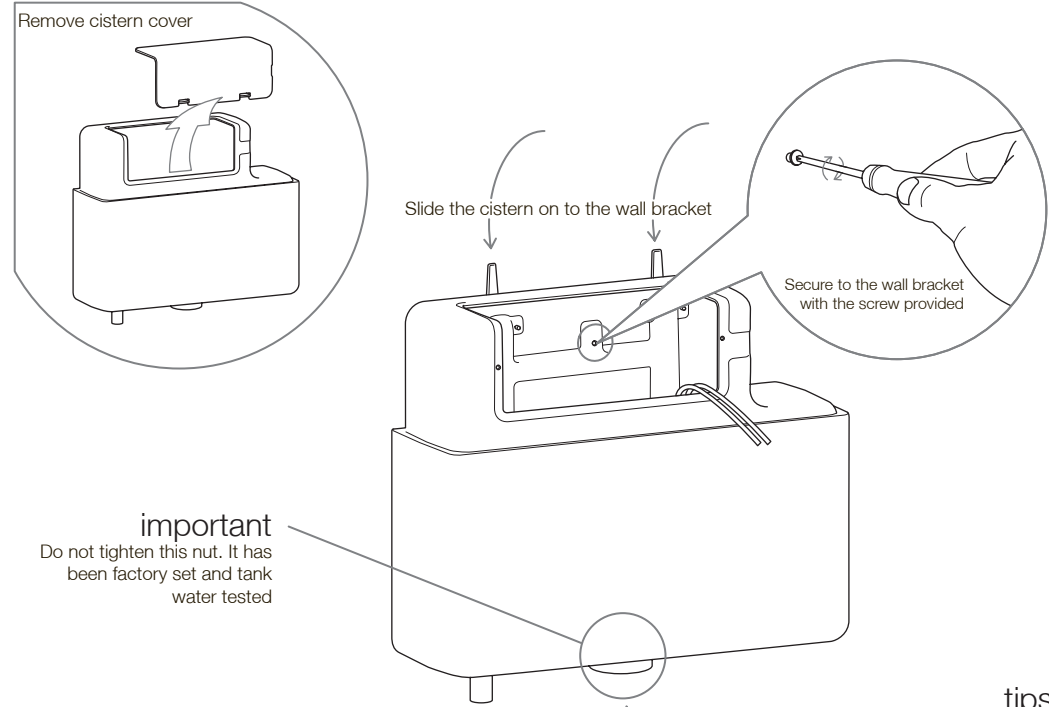
important
Great care must be taken when
fixing the toilet. Careful cutting
of the pipe and alignment are
very important to ensure no
leaks occur.

important
Please support the flush pipe when
locating the toilet onto the rubber seal.
Failure to do so could result in damage
to the flush connection

Adjusting the flush volume

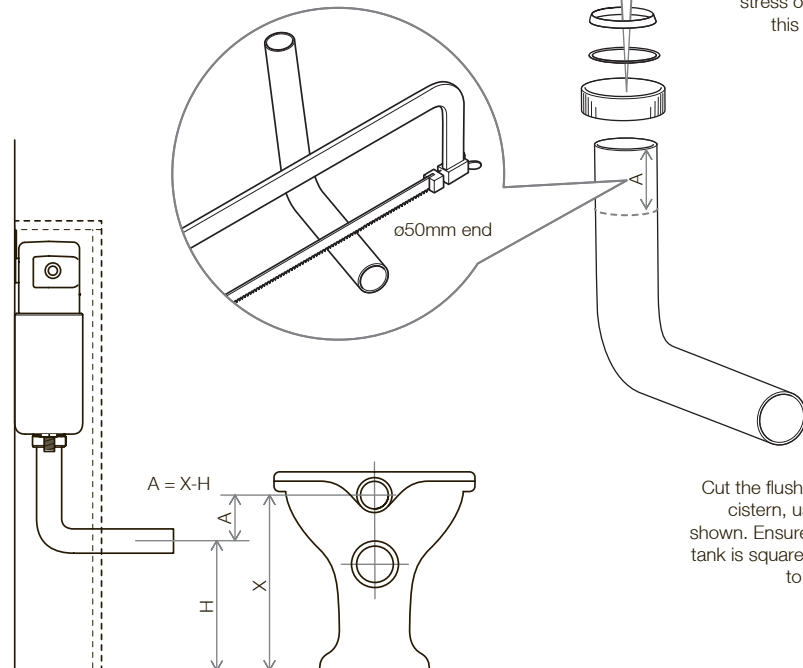


By adjusting the flush valve the flushing volume can be altered

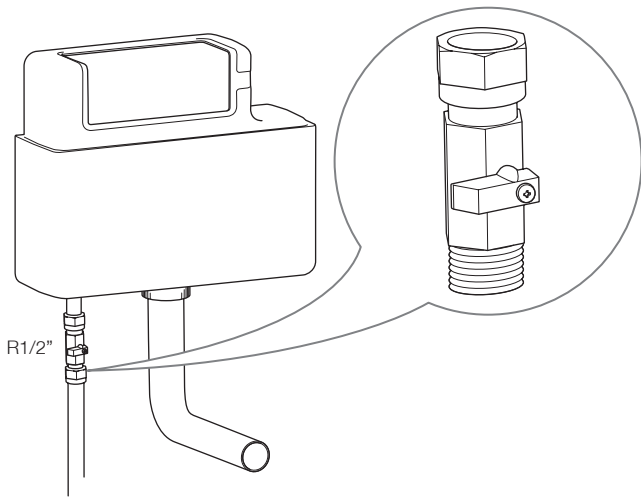


tips

It is recommended that the flush bend be adequately braced against the wall using an appropriate pipe bracket or wooden packing. Ensure there is no tension / stress on the connection to the tank as this could cause the fittings to leak.



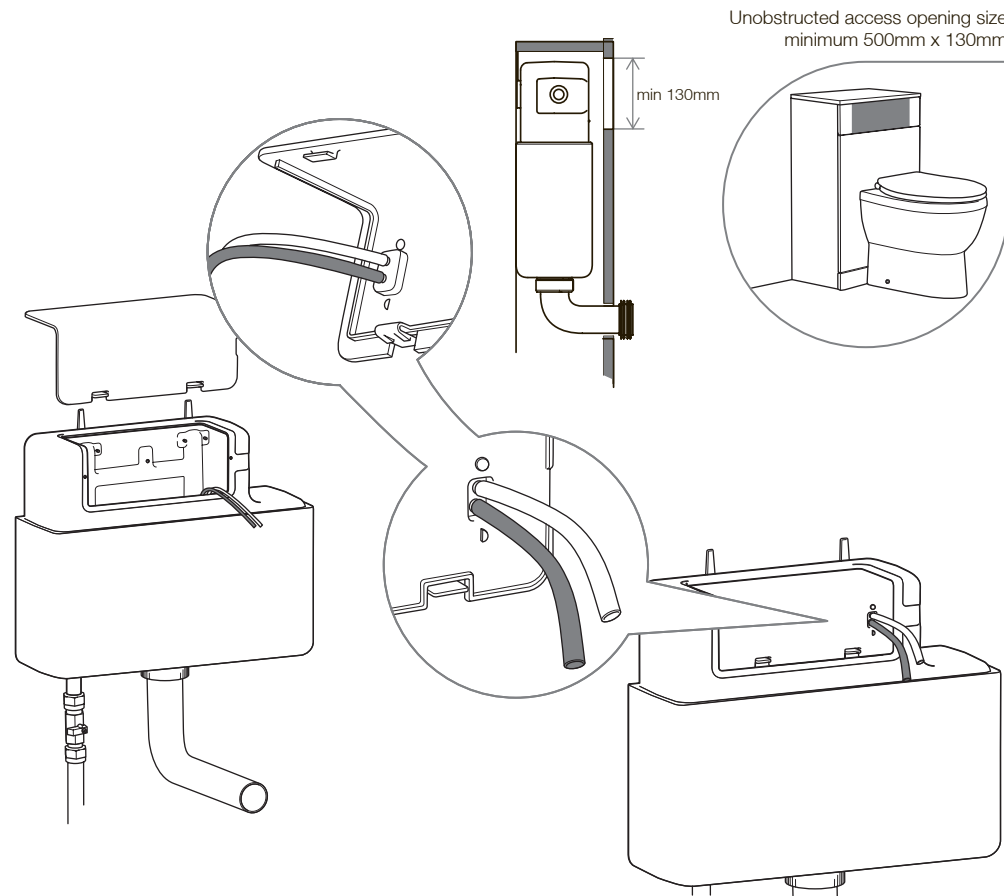
Cut the flush bend to size and attach to the cistern, using the appropriate fittings, as shown. Ensure alignment to pan from cistern tank is square both vertically and horizontally to allow seal to function correctly



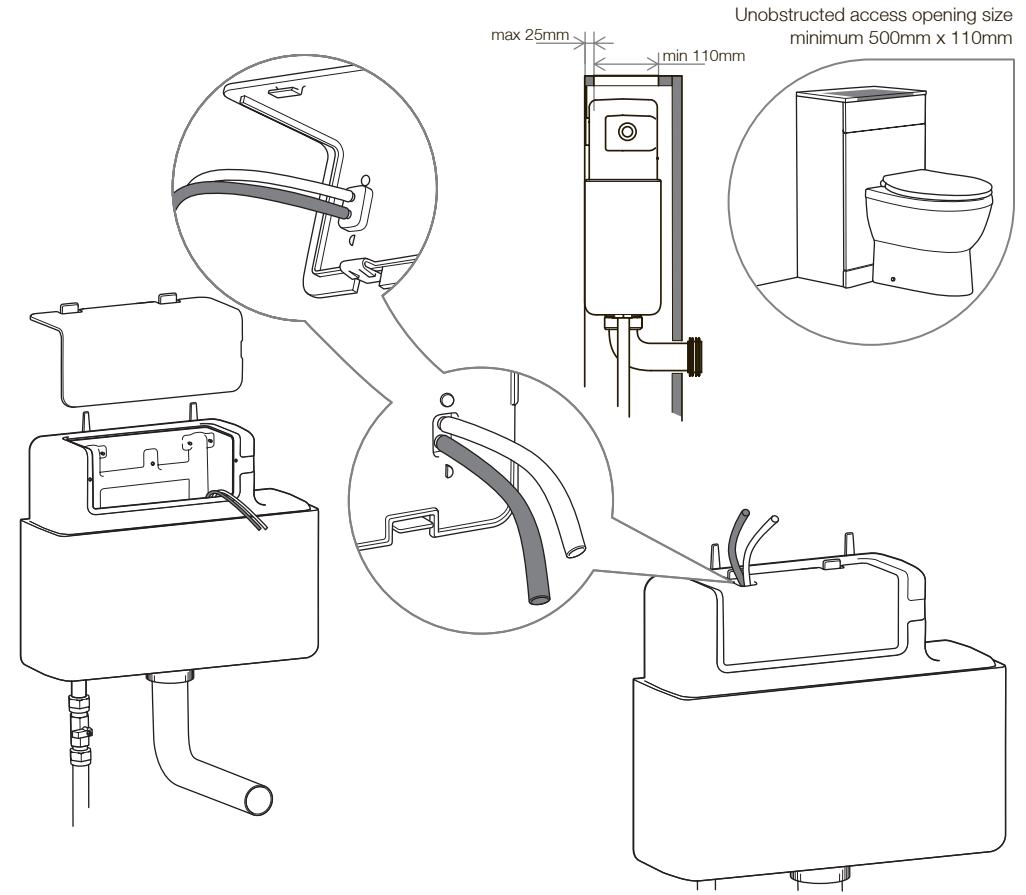
note
Stop valve not included

Connect the water supply to the cistern using an approved double check valve to fluid category 3 in addition to an accessible service valve.

Installation with a front access panel



Installation with a top access panel



Installation of pneumatic push-button

