

## General Care & Safety

Wall plugs supplied are ONLY suitable for solid stone/brick walls. They are not suitable for use in aerated blocks or similar. If fixing to a stud wall, sufficient extra internal reinforcements must be made to the wall. Screws must locate into suitably reinforced studs and noggins.

Take care using power tools – The use of a residual current device (RCD) is recommended. Beware of hidden cables or pipes when drilling.

This product can be dangerous if installed incorrectly. This product must be installed by a qualified plumber or installer. It is the installer's responsibility to check that the fixings are suitable for the installation in hand.

Cistern fittings are suitable for Water pressure: 0.2 - 10 bar. Do not add caustic chemical substances (e.g. containing chlorine compounds or similar) into the cistern. These can damage the valve components and cause failure.

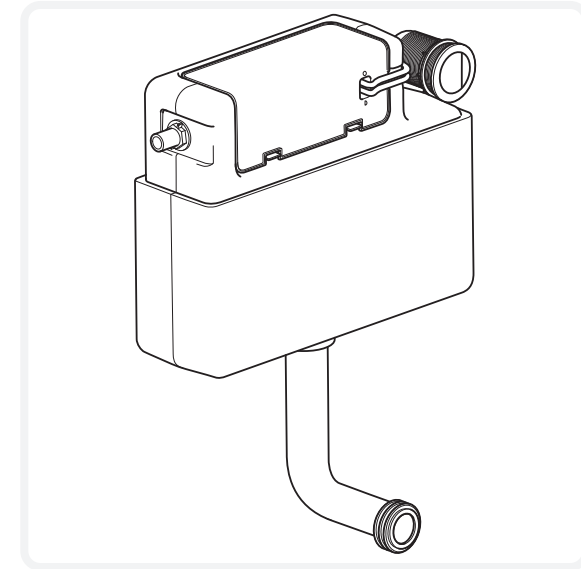
Before starting to enclose the cistern, the system must be first tested for leaks before 2nd fix commences. Temporarily fix the back to wall pan in place and make connections. Turn the water supply on and flush the pan to check for leaks. This is particularly important to do prior to tiling in installations

This cistern is not suitable for use with wall hung pans without the use of a suitable supporting frame.

## Slimline Concealed Cistern - Side Entry

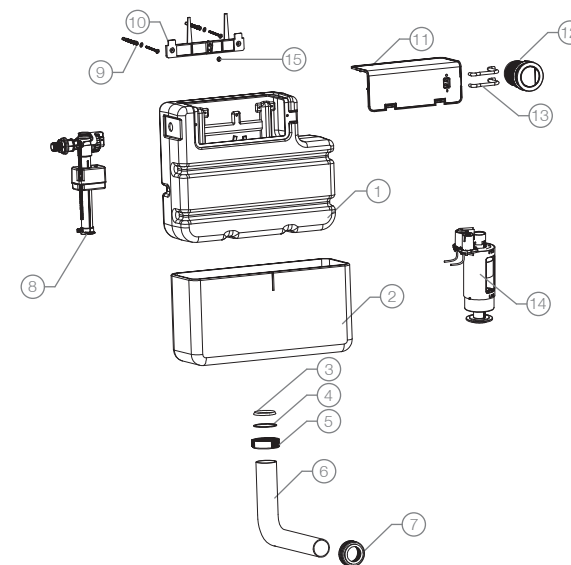
Please retain for future reference

Ø TR9002



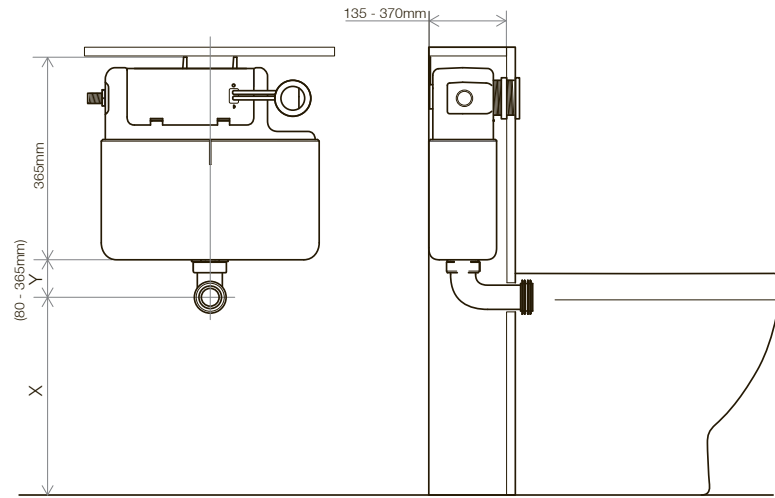
This product must be installed by a qualified fitter or plumber in accordance with and meet the requirements of the Water Supply (Water Fittings) Regulations 1999 and Scottish Byelaws 2004

## Parts included

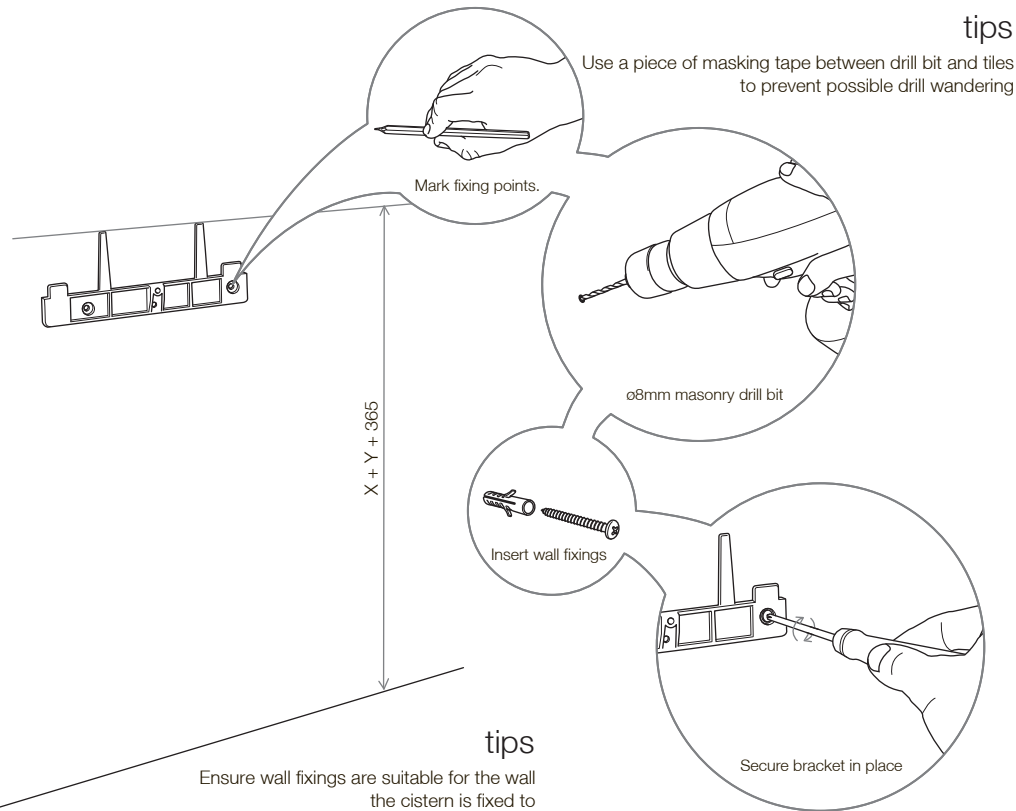


1. Cistern
2. EPS Jacket
3. Seal
4. Washer
5. Flush Bend Nut
6. Flush Bend
7. Key Seal
8. Side Entry Fill Valve
9. 2 x Attaching Screws
10. Attachment Plate
11. Cistern Cover
12. Pneumatic Push-button
13. Air Hoses
14. Flush Valve
15. Cistern Fixing Screw

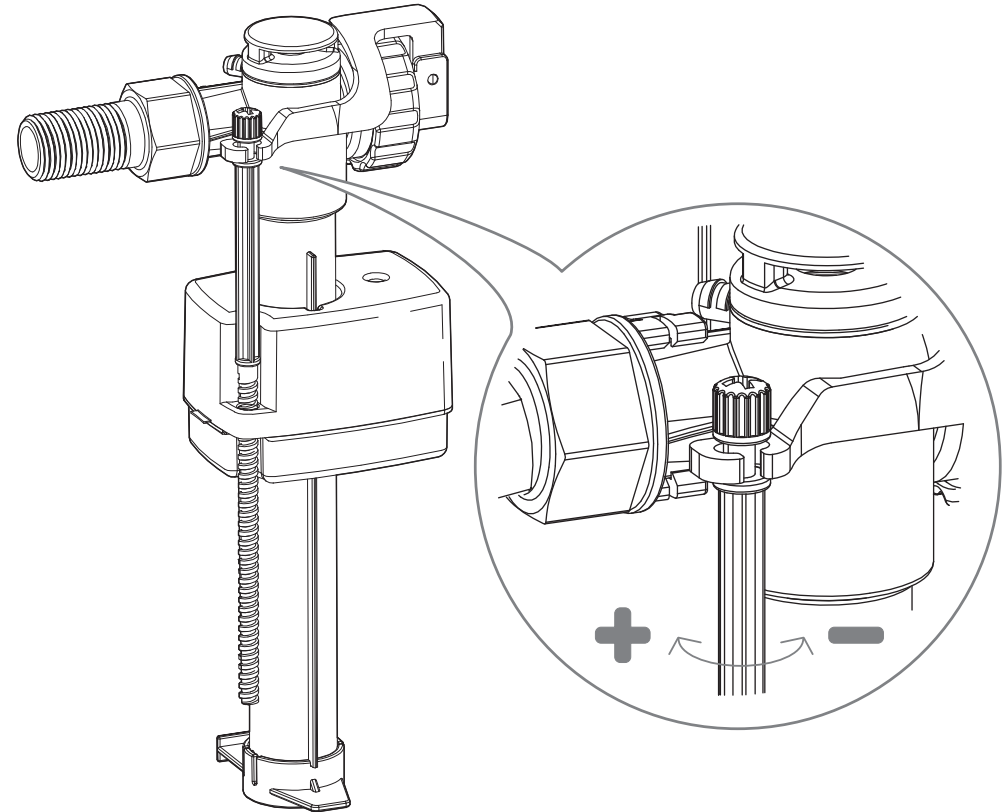
## Fitting dimensions



## Installation of the cistern

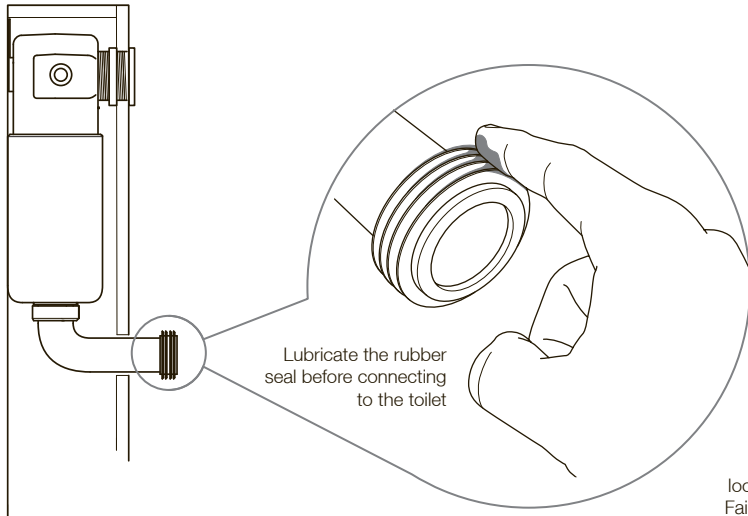


## Adjusting the water level



By adjusting the fill valve the water level can either be increased or decreased accordingly

## Fixing the toilet

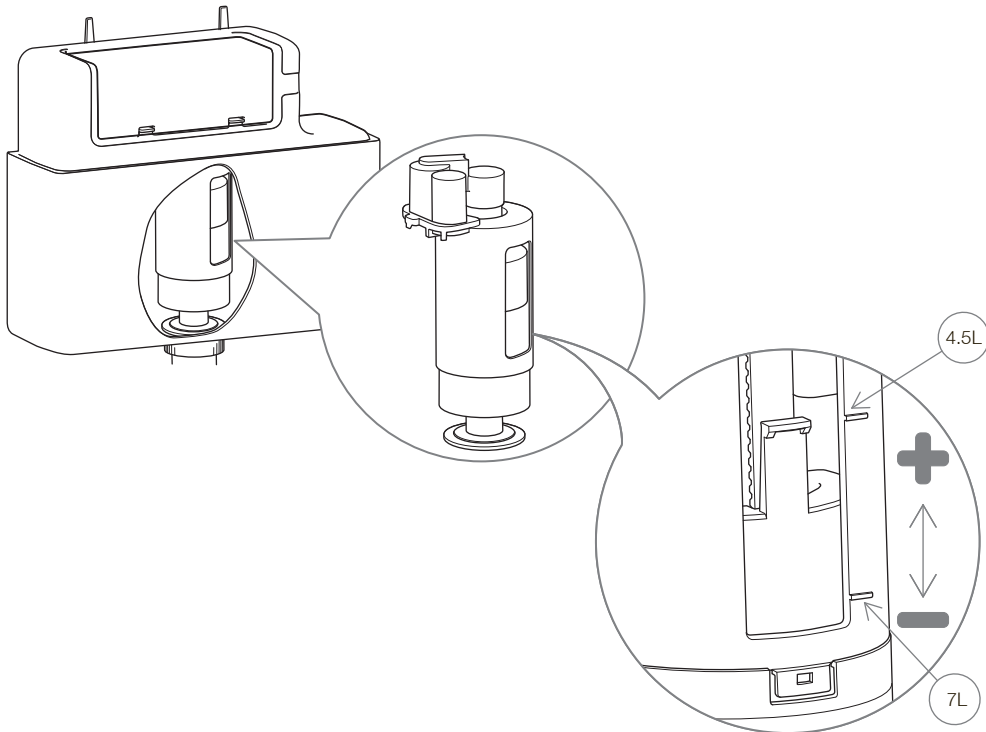


**note**  
Lubricant not supplied.  
Please use a suitable  
plumbers grease.

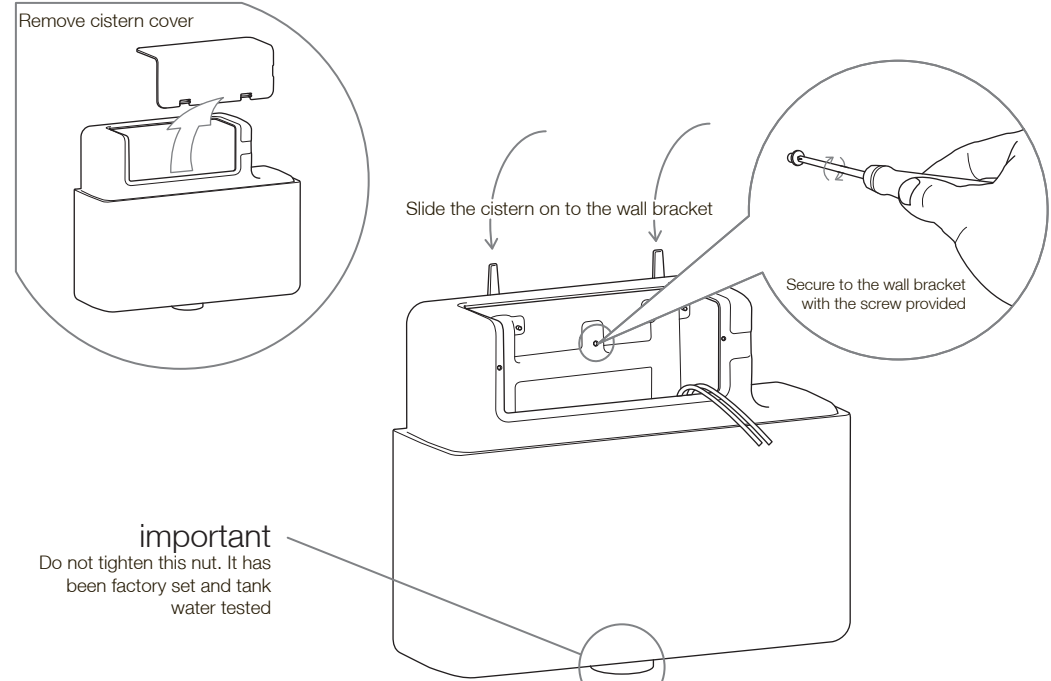
**important**  
Great care must be taken when  
fixing the toilet. Careful cutting  
of the pipe and alignment are  
very important to ensure no  
leaks occur.

**important**  
Please support the flush pipe when  
locating the toilet onto the rubber seal.  
Failure to do so could result in damage  
to the flush connection

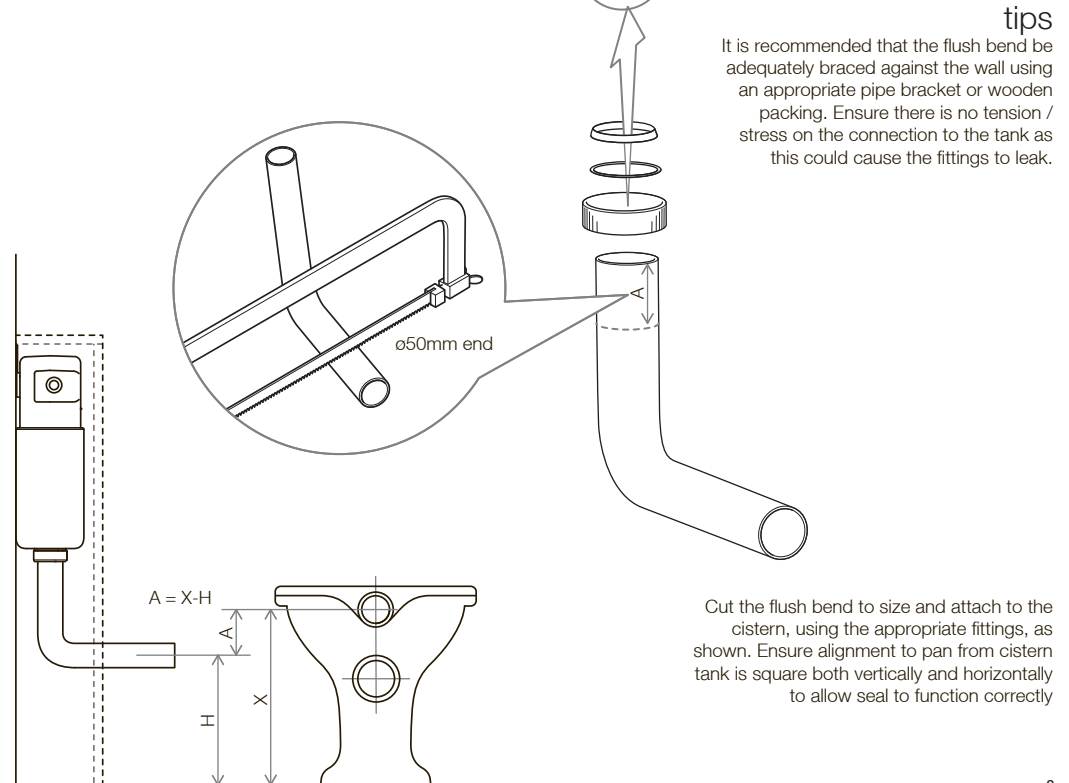
## Adjusting the flush volume

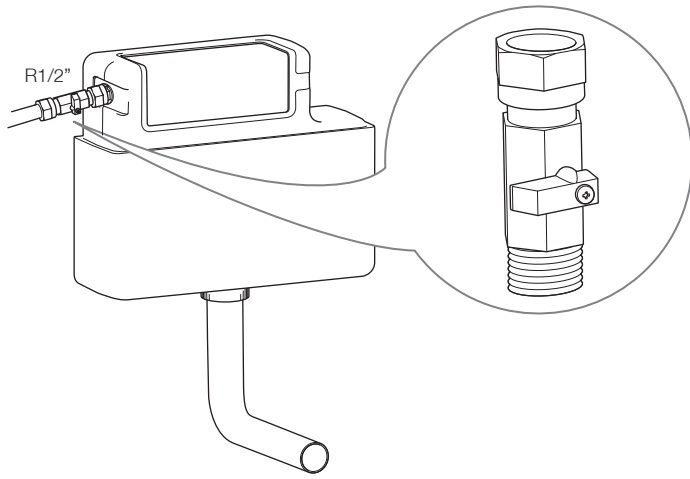


By adjusting the flush valve the flushing volume can be altered



**important**  
Do not tighten this nut. It has  
been factory set and tank  
water tested

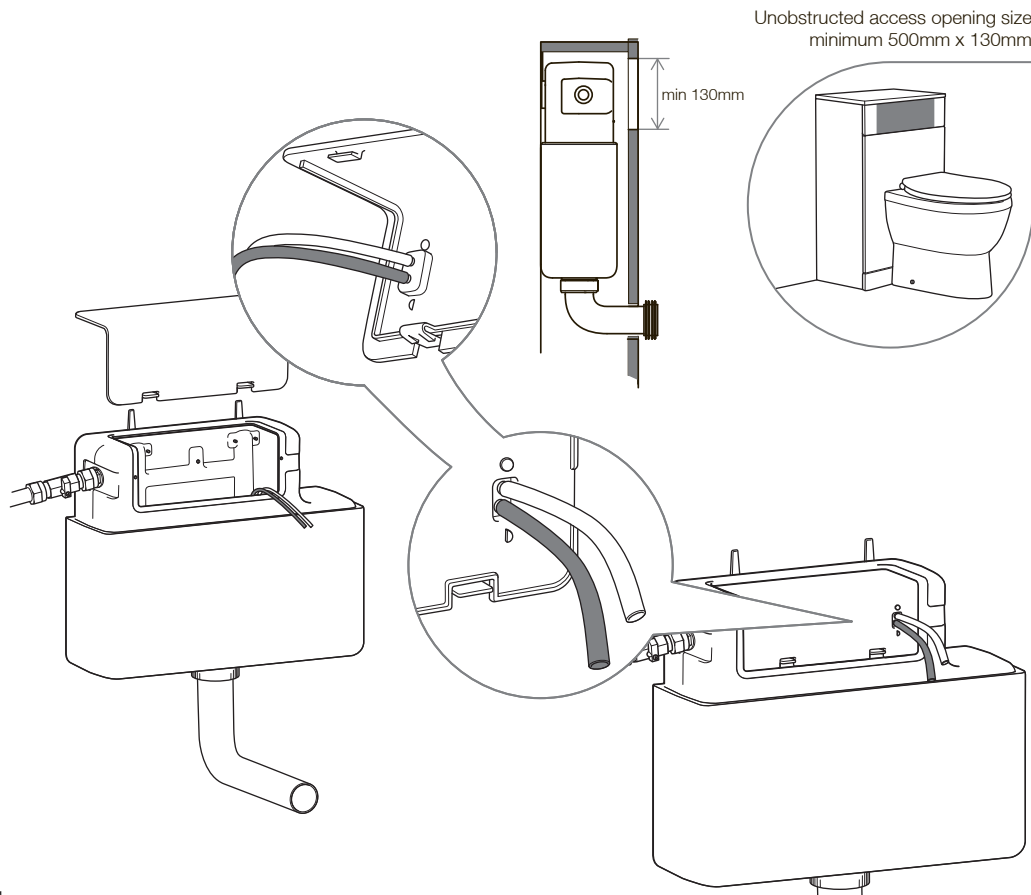




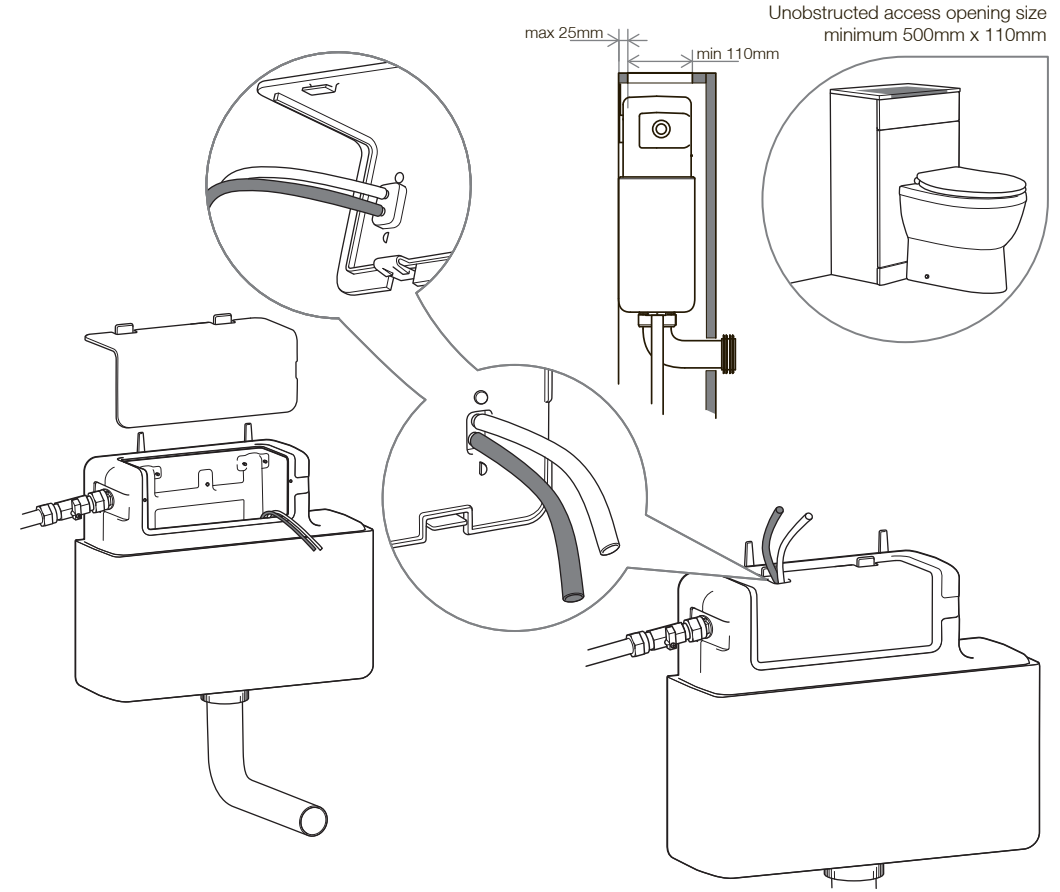
**note**  
Stop valve not included

Connect the water supply to the cistern using an approved double check valve to fluid category 3 in addition to an accessible service valve.

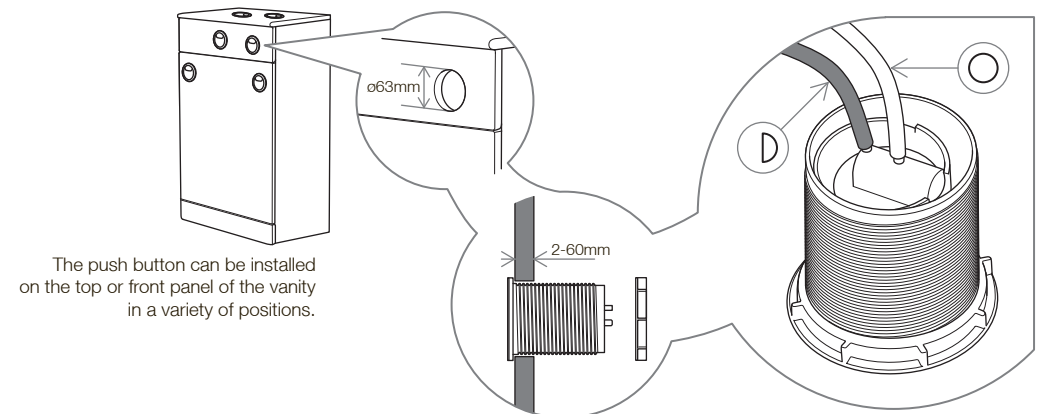
### Installation with a front access panel



### Installation with a top access panel



### Installation of pneumatic push-button



The push button can be installed on the top or front panel of the vanity in a variety of positions.