

# Technical Data Sheet

## 820mm Wall Hung Frame and Cistern

No.	Description	Product Code	Fixings Included?	Gross Weight
1	Wall Hung Frame and Cistern	TR9005	Yes	15.55KG

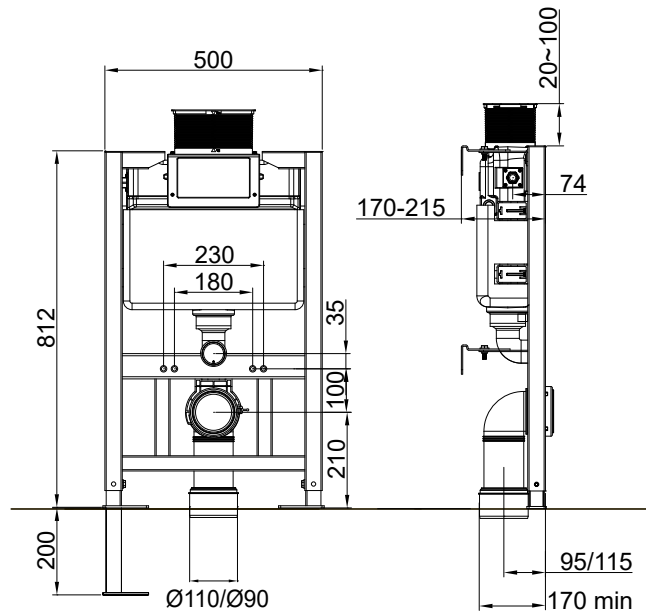


Now comes fitted with air gap inlet valve  
Inlet valve WRAS approval number 2105042

### KEY FEATURES

- adjustable depth 167-215mm
- adjustable height legs (up to 200mm adjustment)
- 6/3 litre adjustable flush option
- side entry 1/2" inlet valve
- front access panel
- 0.1-10.0 bar working pressure range
- flushpipe >90° for neat installation
- polystyrene insulation jacket
- Choose the optional Furniture Adaptor Kit (TR9007) when using the frame in furniture installations.

### DIMENSIONS



DIAGRAMS NOT TO SCALE | ALL DIMENSIONS IN MM TOLERANCE OF ± 5MM  
ALL PRODUCTS CONFORM TO BRITISH STANDARDS

### FAQs

**Q - Is the frame supplied with a flush plate?**

A - No, this is purchased separately

**Q - Can the flush plate be mounted on top?**

A - No the flush plate can only be mounted on the front of the cistern

**Q - Can the waste pipe be routed out to the side of the frame?**

A - Yes, with a minimum distance of 170mm from wall to the front of the frame.

**Q - What is the flushing volume of the cistern?**

A - The cistern has full flush of 6 litres and reduced flush of 3 litres.

**Q - What standard has the frame been tested to?**

A - All wall hung WC frames are tested against BS EN 997 - static loading of 400kg and dynamic loading of 200kg for 50,000 cycles - simulating 15 years of usage.

**Q - What is the minimum flush volume achievable using this frame?**

A - The flush valve adjustment detailed in the instructions gives a minimum full flush level of 4.5L.

Please note the depth remaining of the protective shroud once cut must be a minimum of 20mm.

This means that the finished surface must be a minimum of 35mm from the front of the frame as shown, right.

