

general care & safety

Wall plugs supplied are ONLY suitable for solid stone/brick walls. They are not suitable for use in aerated blocks or similar. If fixing to a stud wall, sufficient extra internal reinforcements must be made to the wall. Screws must locate into suitably reinforced studs and noggins.

Take care using power tools – The use of a residual current device (RCD) is recommended. Beware of hidden cables or pipes when drilling.

This product can be dangerous if installed incorrectly. This product must be installed by a qualified plumber or installer. It is the installer's responsibility to check that the fixings are suitable for the installation in hand.

Cistern fittings are suitable for Water pressure: 0.5 - 10 bar. Do not add caustic chemical substances (eg containing chlorine compounds or similar) into the cistern. These can damage the valve components and cause failure.

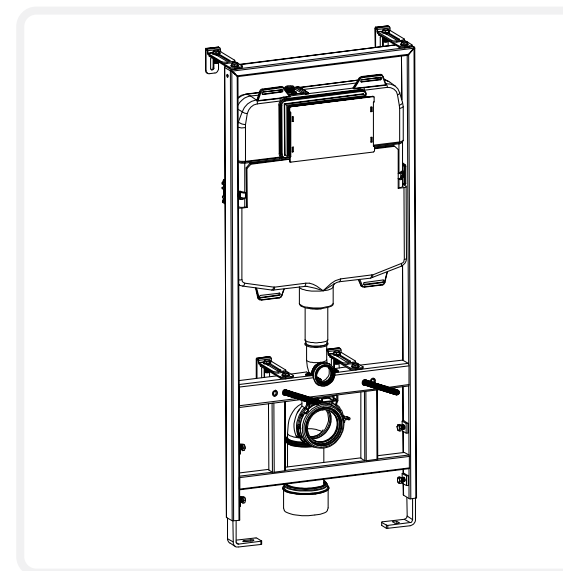
Before starting to enclose the frame, the system must be first tested for leaks before 2nd fix commences. Using the help of a second person to hold the pan in place on the frame, turn on the water supply and flush the pan to check for leaks.

1170mm wall hung frame

fitting instructions

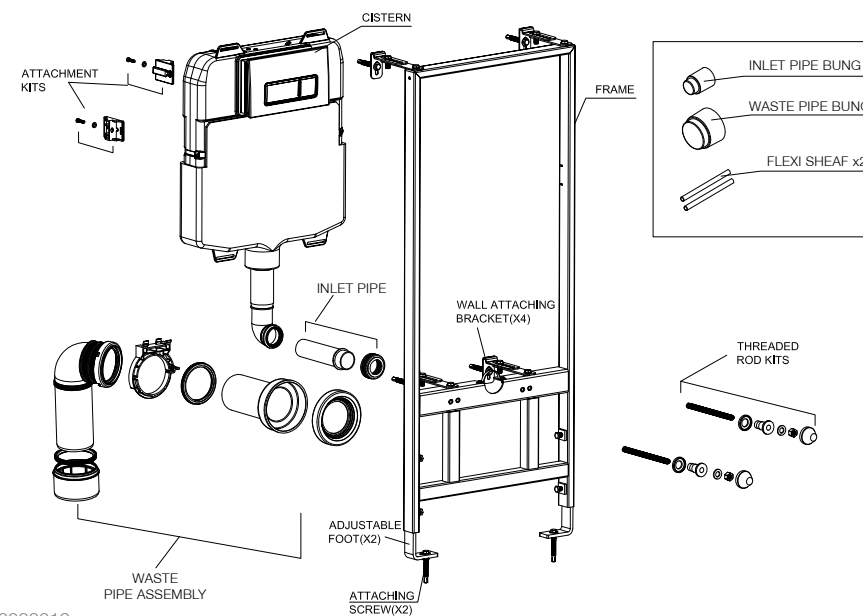
Please read completely first before commencing.
Please retain for future reference.

TR9006



This product must be installed by a qualified fitter or plumber in accordance with and meet the requirements of the Water Supply (Water Fittings) Regulations 1999 and Scottish Byelaws 2004

exploded diagram



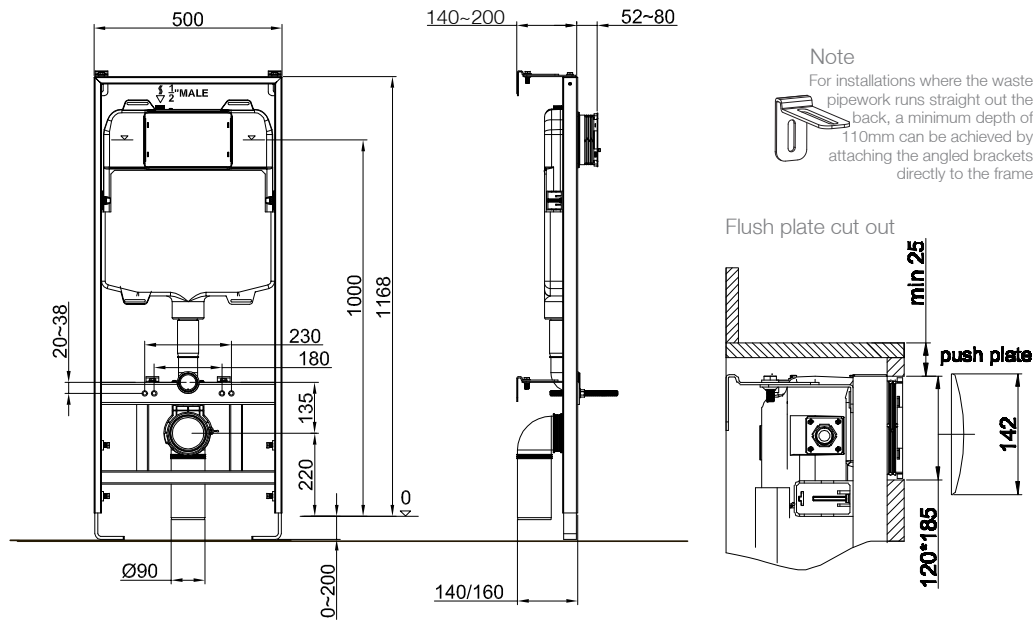
Brought to you by the Roper Rhodes Group
Brassmill Lane Trading Estate
Bath
BA1 3JF
t: 01225 303900



15
EN 14055:2010 &
EN 14124: 2004
Load Tested to EN 997: 400KG

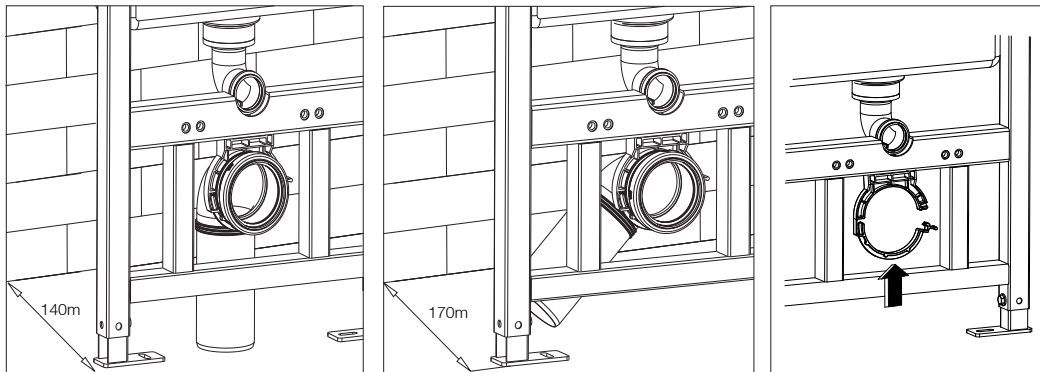
V5.AG.12032019

fitting dimensions



(Wall Hung Frame dimensions - Top mounted flush shown)

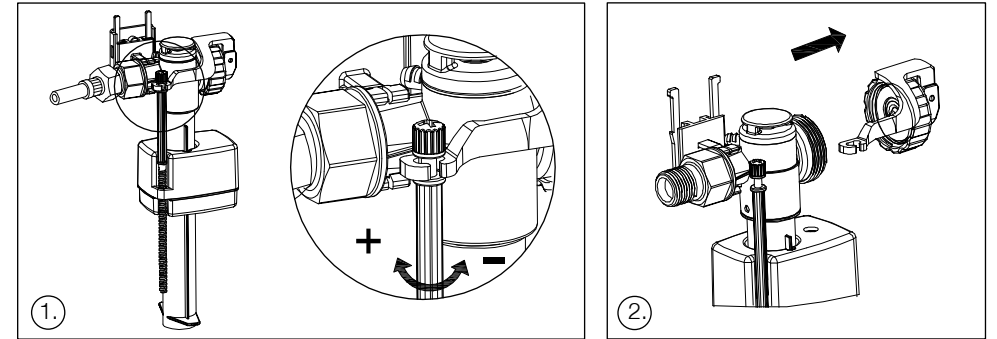
installation of waste pipe



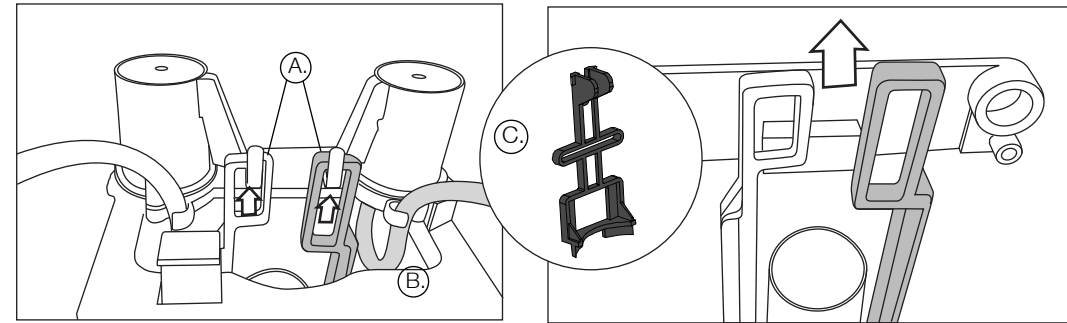
To allow space for the installation of the waste pipe to the side of the frame, allow at least 150mm of space between the wall and the wall hung frame. If the waste pipe needs to be fixed askew, allow 170mm.

The waste pipe can be installed easily by opening up the fixing collar and positioning the lip of the waste pipe inside the collar. The collar should then be clipped closed to secure the waste pipe in place before it is connected to the toilet pan.

adjustments & maintenance

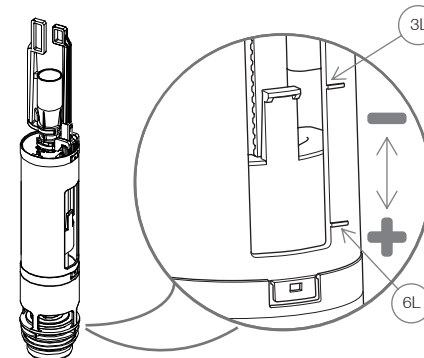


The water level in the cistern can be adjusted by turning the adjustment controls with a screwdriver - clockwise will increase the water level, anti-clockwise will lower the water level - as shown in Figure 1. The fill valve can be removed by disconnecting the valve from its flexible hose. The fill valve can be removed and cleaned if the water filling slows down or doesn't stop, as shown in Figure 2.



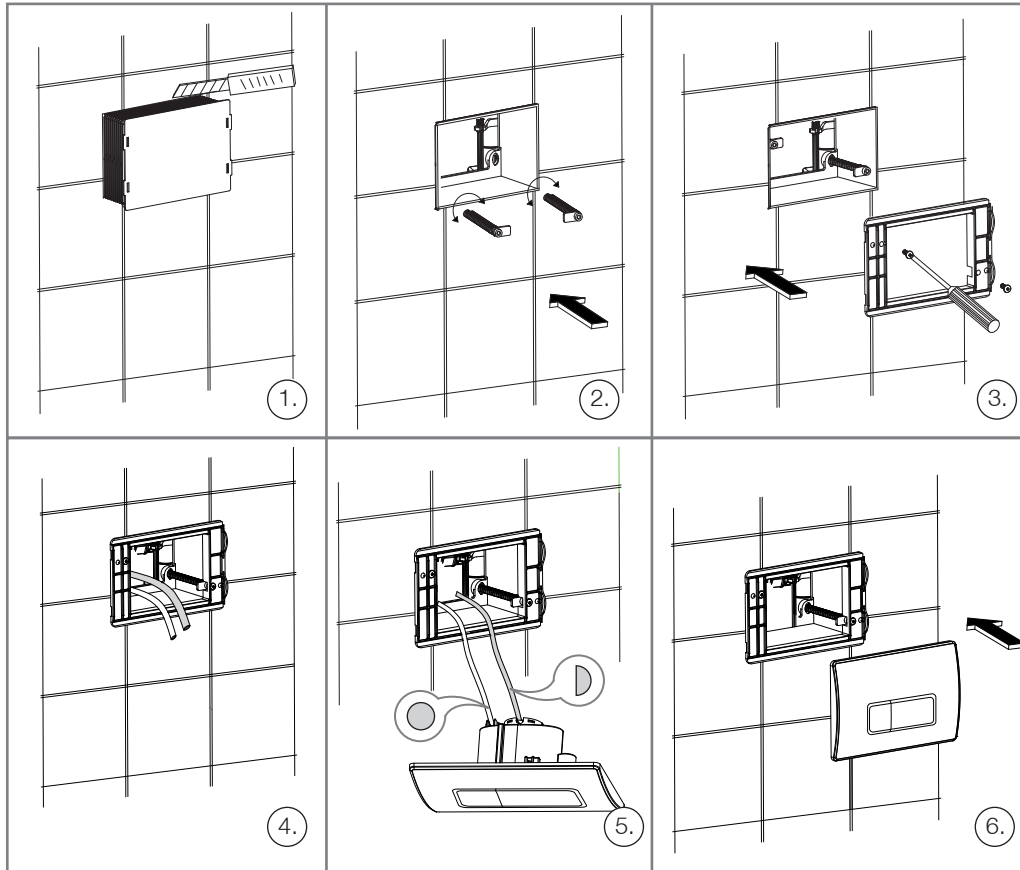
To remove the flush valve, the flush plate should be removed to gain access. After removing the blue and clear plastic tubes from the flush interface, the control arms (A) can be lifted off the pneumatic actuator (B). The actuator can then be removed from the cistern.

The flush valve retaining bracket (C) should be pinched together and removed from the cistern allowing the flush valve to be removed. Care should be taken to avoid dropping the bracket into the cistern. The flush valve control arms can be removed from the top of the flush valve with a firm pull. The overflow tube can be removed with a quarter turn. Once the overflow tube and arms are removed, the flush valve can be lifted and tilted to one side to a position that allows it to be removed. To replace, reverse this procedure.



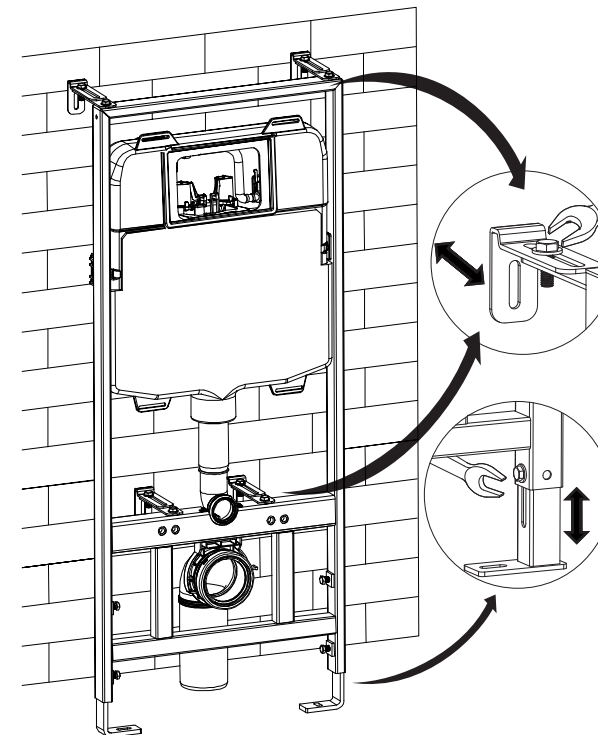
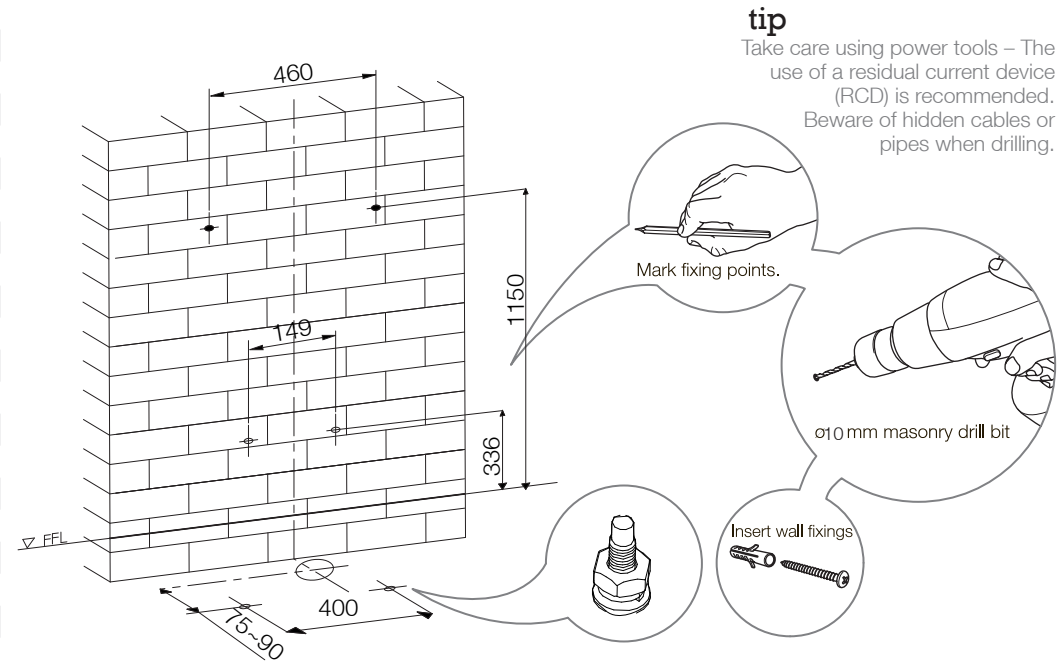
The flush valve can be adjusted to increase or decrease the amount of water used during each flush. It is factory set for 6L full flush & 3L reduced flush.

installation of flush plate



1. Using a craft knife, cut the protective casing so that it is flush with the wall.
2. Screw the plastic fixing arms supplied with the flush plate into the protective casing. A quarter turn should secure the arms in place.
3. Fix the flush plate mounting bracket to the fixing arms using a screwdriver as shown.
4. Take out the hoses so that they can be accessed for fitting the flush controls.
5. Connect the hoses, making sure that the blue hose is connected to the half flush connector as shown.
6. Locate the right side of the flush plate onto the mounting bracket and push to the left to locate.

installation of wall hung frame



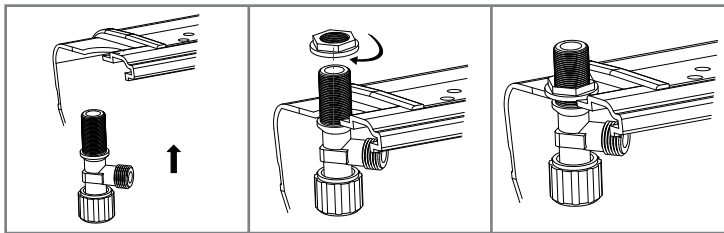
Assemble the brackets to the frame as shown, using 8x 25mm hex head bolts & washers.

The height of the frame and distance from the wall can be adjusted manually with the bolts found on the top fixing bracket and the legs of the frame. Loosening the bolts will allow the frame to be adjusted accordingly. Use a spirit level to ensure the frame is level. Re-tighten the bolts to secure the frame into its new position.

Using the dimensional drawing above as a guide, mark and drill holes in the appropriate places using a 10mm masonry drill bit. If the frame has been adjusted, mark off the new hole positions accordingly. Use a piece of masking tape to prevent the drill from wandering.

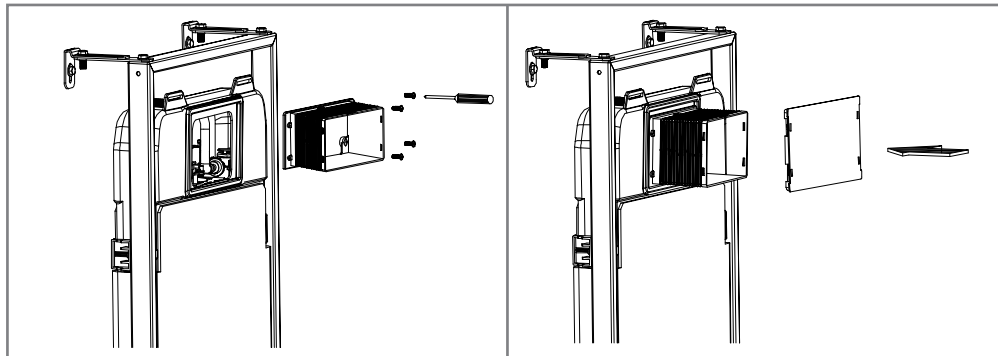
Using the wall fixings provided, secure the frame to the wall. Ensure that the fixings supplied are suitable for the installation in hand. If in doubt consult an expert.

installation of isolation valve

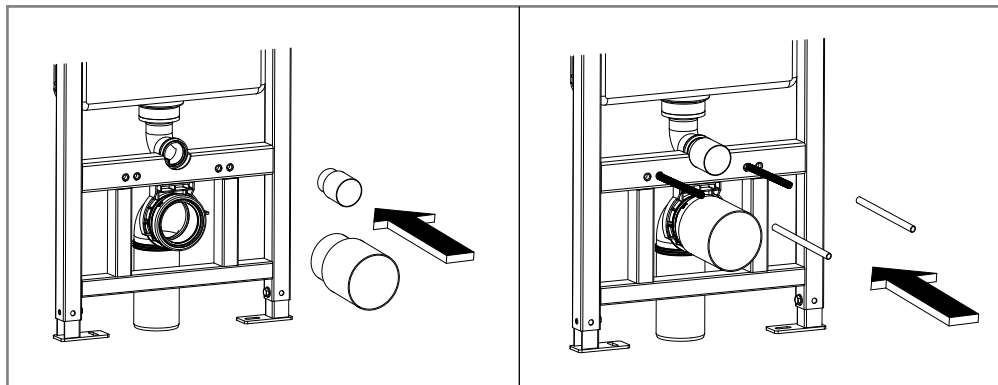


The isolation valve should come pre-assembled with the cistern. If the valve needs replacing, the above instructions show the correct installation procedure. Once installed, connect the flexible hose to the valve. Important: Flush out all impurities in the system prior to connection. Before building the final cladding, install the pan, turn on the water supply and fill the pan. Check tightness of supply and drain connections. Close the isolation valve and drain the cistern and pan, then remove the pan. Connect the water supply to the cistern using an approved double check valve to fluid category 3.

installation of protective casing



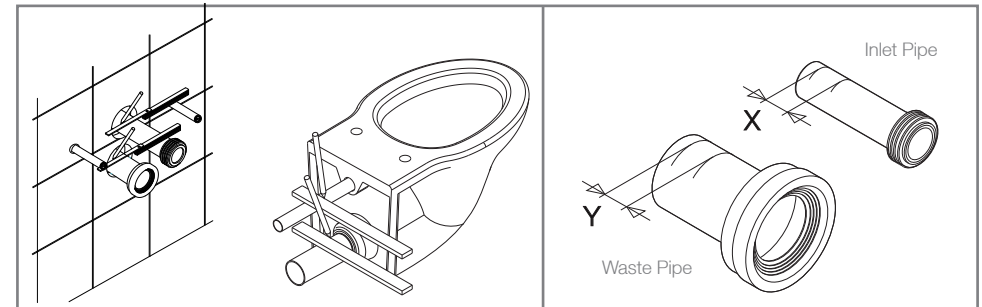
Before the partition wall is installed around the wall hung frame, the plastic protective casing needs to be screwed onto the cistern to ensure that the push plate or flush button can be installed later. Ensure that there is minimum of a 3mm gap between the protective casing cover and the aperture in the partition wall (or furniture fascia).



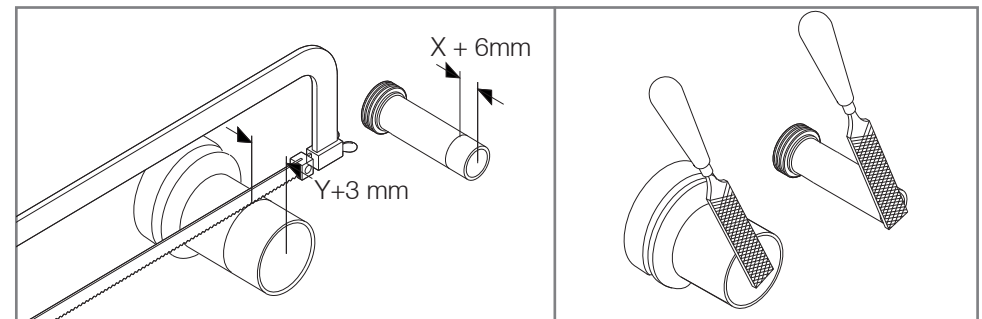
Install the bungs in the waste and flush pipes to protect them during any building work. Similarly, the threaded rods on which the toilet pan will be hung should be installed at a distance corresponding to the width of the pan fixing holes. When screwed into place, the flexible sheaths should be put on the rods for protection. At this point it is recommended to temporarily install the pan and check for leaks.

installation of wall hung pan

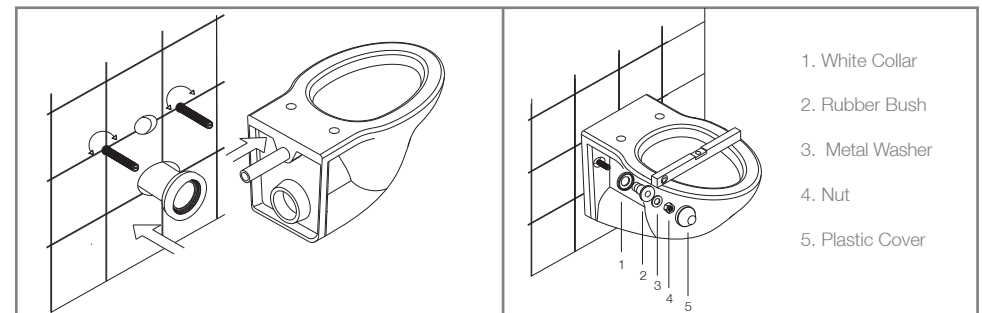
Once the partition or furniture is assembled and complete, the pan can be fitted.



1. Place the inlet and waste pipe into the frame and place a mark that corresponds to the finished surface of the wall.
2. Then place both pipes onto the back of the pan and using a straight edge, place a mark that corresponds to the back face of the pan
3. The distance between these two marks corresponds to the amount of pipe that needs to be cut off to enable the pan to fit snugly against the finished wall surface.
4. BEFORE cutting the pipes, add a further 6mm to the amount to be cut off on the inlet pipe. Add a further 3mm to the amount to be cut off the waste pipe.



5. It is ESSENTIAL that the extra distance is added to cut away extra material. Take care to cut straight otherwise leaks will occur.
6. Once cut, add a chamfer to the end of the pipe to ensure that it can be easily located inside the pipework in the wall hung frame. Using a suitable lubricant (not supplied), locate the waste pipe into the frame.



1. White Collar
2. Rubber Bush
3. Metal Washer
4. Nut
5. Plastic Cover

Push the trimmed pipes into position as shown and check that they are secure. Remove the protective flexible sheaths from the threaded rods. Position the pan taking care that the connecting pipes are well aligned to prevent leaks. Use a spirit level to make sure the pan is level and then fix to the rods with the supplied fixings in the order shown above. If the pan has concealed fixings, use the hardware supplied by the pan manufacturer when connecting the pan to the rods.