

# Technical Data Sheet

## Comfort Height Cistern

ROPER RHODES®  
TRADE SOLUTIONS

No.	Description	Product Code	Fixings Included?	Gross Weight
1	Comfort Height Cistern	TR9008	Yes	2.9KG



### KEY FEATURES

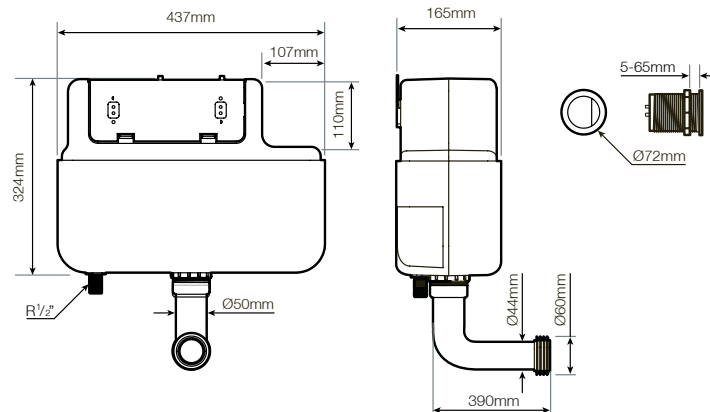
- Developed specifically for comfort height BTW WCs
- pre-assembled concealed cistern
- 3/6 litre adjustable flush option
- pneumatic flush valve and push button operation
- bottom entry inlet valve
- top & front access
- 0.1-10.0 bar working pressure range
- flushpipe >90° for neat installation
- polystyrene insulation jacket



Now comes fitted with air gap inlet valve  
Inlet valve WRAS approval number 2105042

### DIMENSIONS

DIAGRAMS NOT TO SCALE | ALL DIMENSIONS IN MM TOLERANCE OF ± 5MM  
ALL PRODUCTS CONFORM TO BRITISH STANDARDS



### FAQs

**What is the length of the push button hoses?** Approx 700mm.

**What is the vertical length of the flush pipe to the tank?** 71mm to 370mm.

**Why does the big (full flush) button go down when pressing the small (1/2 flush) button?**

This is normal due to the button mechanism - the bellow closes the full flush capacity to reduce the total flush.

**When the button is pushed it wont go in or flush?**

Check the hose connections from the back of the button to the valve.

**Can I use this cistern with a flush plate?**

Yes, not with installations inside furniture as the cistern body takes up most of the space inside the cabinet. Therefore, there is not enough room for the flush plate actuator on the rear of the plate.

**Why are there cut outs on the side of the polystyrene jacket?**

These cutouts allow the cistern to fit inside slim depth 500mm Back to Wall units without interfering with the cabinet hangers.

**Can I use this cistern in slim depth furniture?**

Yes, this cistern will even work with 500mm wide units, including Roper Rhodes and R2 fitted furniture units.

**What is the highest inlet on a pan that this cistern will work with?**

In furniture up to 820mm high (to the underside of the worktop), a pan with an inlet up to 425mm can be accommodated.

**Q - What is the minimum flush volume achievable using this cistern?**

A - By following the flush valve adjustment process detailed in the instructions a minimum flush level of 4.5L (full) and 2.6L (reduced) can be achieved. To obtain this flush level the setting used should be 7 (side setting) and 1.5 (main blue float).