

# Technical Data Sheet

## In Wall Cistern

**ROPER RHODES**<sup>®</sup>  
TRADE SOLUTIONS

No.	Description	Product Code	Fixings Included?	Gross Weight
1	In Wall Cistern	TR9009	Yes	5KG



Now comes fitted with  
air gap inlet valve  
Inlet valve WRAS approval number 2105041

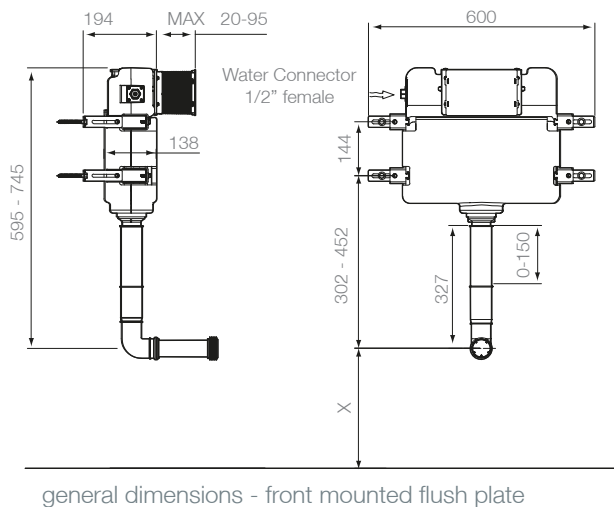


### KEY FEATURES

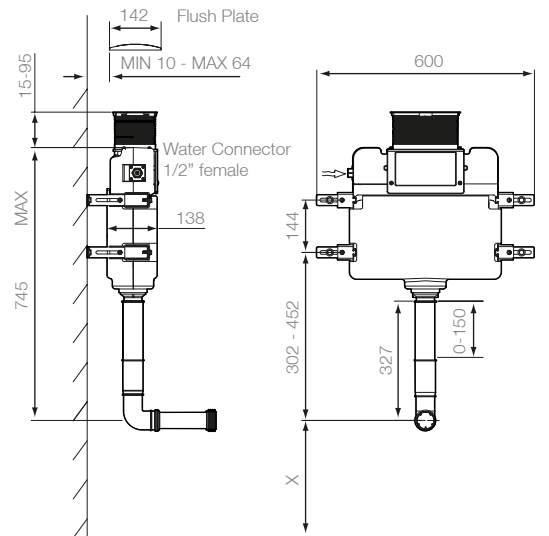
- 3/6 litre adjustable flush option
- pneumatic flush valve and push button operation
- side entry inlet valve (1/2" BSP)
- top & front access
- 0.1-10.0 bar working pressure range
- flushpipe >90° for neat installation
- flush pipe securing bracket
- polystyrene insulation jacket
- Selection of flush plates available separately
- ideal for tiled installations
- all parts serviceable through flush plate aperture

### DIMENSIONS

DIAGRAMS NOT TO SCALE | ALL DIMENSIONS IN MM TOLERANCE OF ± 5MM  
ALL PRODUCTS CONFORM TO BRITISH STANDARDS



general dimensions - front mounted flush plate



general dimensions - top mounted flush plate

### FAQs

**Q - What thickness of cladding can be used?**

A - 20mm - 95mm for adjustable flush plate mounting

**Q - What depth of void will the tank fit into?**

A - the cistern will fit into a void of 138-194mm. Cistern can be mounted on battens if deeper void is required.

**Q - Can I use a flush button rather than a flush plate with this cistern?**

A - Yes. But the customer must make provision for maintenance of the cistern in lieu of the flush plate.

**Q - What is the height of the flush inlet pipe to the pan?**

A - 327mm - the pipe can be cut down for different inlet locations.

**Q - What is the vertical length of the flush pipe?**

A - 177mm to 327mm

**Q - What is the minimum flush volume achievable using this cistern?**

A - By following the flush valve adjustment process detailed in the instructions a minimum flush level of 4.5L (full) and 2.6L (reduced) can be achieved. To obtain this flush level the setting used should be 5 (white float) and 6 (blue float).