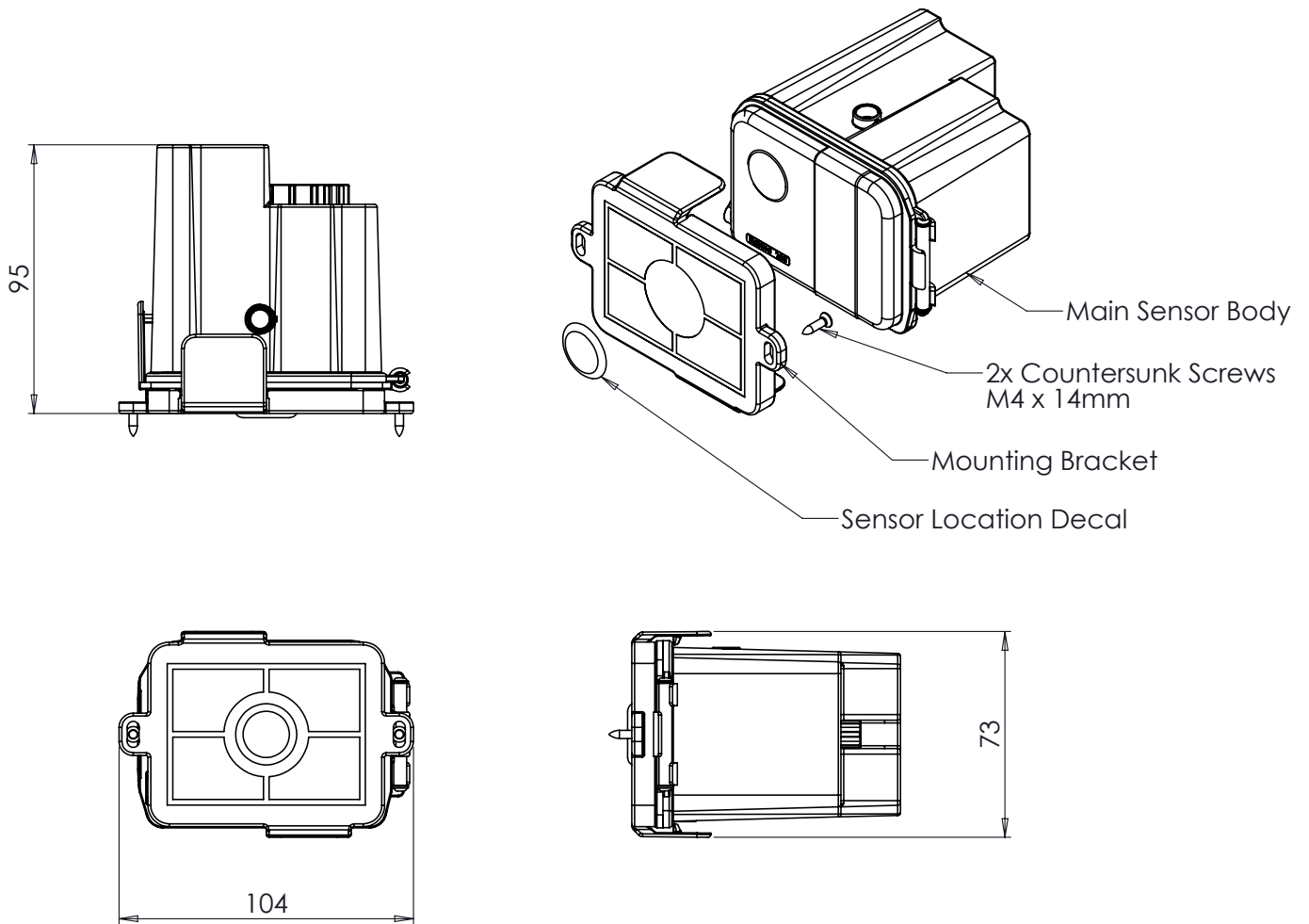


Technical Data Sheet

CSFK Contactless Dual Flush Remote Sensor Kit

ROPER RHODES®
TRADE SOLUTIONS



What batteries are used?

4x AA Batteries (LR6). Always use good quality Alkaline batteries.

The sensor is not working?

Check that 100% new batteries are inserted into the battery compartment. Always use good quality Alkaline batteries (eg Duracell). Note that batteries purchased from cheaper sources (i.e. Poundland) will have a significantly shorter life.

I've checked the batteries – the cistern is still not flushing?

Make sure that the hoses are connected properly so that full moon labelled connector on the sensor body connects to full moon connector on the cistern, and likewise half moon to half moon. Also check that the hoses are not kinked or pinched once the fascia or worktop is installed. Ensure that the battery compartment is correctly aligned so that the spring contacts align with the terminals on the top of the battery pack.

Still not flushing?

Please check the FAQs related to the cistern that is installed (i.e. Torrent, Cascade, Vortex, Apex). The issue may be with the installation of the cistern itself.

How do I get the sensor to make a full flush?

Make sure you hold your hand up to the sensor for at least 2 seconds. Once you hear two beeps, remove your hand and a full flush will be delivered.

I can hear a longer beep when I hold my hand up to the sensor – what does this mean?

If you hear the sensor beeping continuously for 10s when you wave your hand near the sensor, then it means that the battery power is running low and it is time to change the batteries. The voltage will have run down to approx. 4.8V

How else will I know that the batteries are running low?

If the battery/voltage is very low (around 4.5V) and cannot normally work, when you wave or close your hand up to the sensor, it will beep continuously until the power goes off or the batteries are replaced with new ones.

What is the expected battery life?

In normal domestic operating conditions, it is anticipated that the batteries will last approximately one year. However this can depend on many factors such as quality of batteries used, amount of people living in the dwelling, and if they use multiple flushes at each visit to the WC.

What if I have the sensor under a worktop and something is placed over the top?

The Sensor uses Capacitive technology. Therefore if something is placed over the top of the sensor, it will affect the electromagnetic field around the sensor. If this does not then change (i.e. the object like a magazine for example is not moved) then the sensor will re-calibrate and then flush if someone waves a hand over the magazine. Operation of the sensor is caused when there is a change in magnetic field that then reverts back to the original reading.

Please note however that if something metallic is placed over the sensor then this will have a detrimental affect on the sensor (similar to not putting metal items in a microwave oven).

Is the sensor water proof?

Whilst it is splash proof, it is not designed to be submersible due to the fact that it needs to take in air to operate the pneumatic cistern.

Do I need to use the black decal / sticker?

Whilst it is not essential to use this and is down to personal preference, it is included in the pack with the intention that it is placed on the front of the fascia or worktop where the sensor is located to indicate to visitors or those not familiar with the bathroom in question where the 'flush' is.

What is the operating range of the sensor?

Wooden Fascia (up to 25mm thickness) 25±5mm
Laminate Worktop (up to 28mm thickness) 20±5mm
Solid Surface Worktop (25mm thickness) 30±5mm
Tile on Plasterboard (up to 35mm thickness) 20±5mm

What are the power / voltage specifications?

Power: 3W
Voltage: 6V

How do I access the unit to change the batteries?

The unit should have originally been installed such that access is able to be gained easily to change batteries in due course. When used with fitted furniture for example, normally the top fascia of a BTW WC unit has 'keku' clips that allow the fascia to be removed quickly to access the unit and change the batteries.

How do I remove the fascia?

Normally there is a small gap between the top of the fascia and the underside of the worktop. Pass a small size allen key through this gap, holding onto the long end. Then rotate the allen key through 90 degrees so that the short part is now behind the back face of the fascia. Then using some pliers or similar to hold the end of the allen key, gently pull the fascia towards you. This will un-clip the fascia from the main unit.

The sensor isn't installed in fitted furniture.

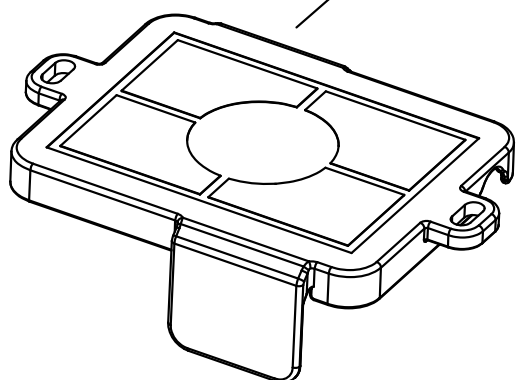
The installer should have made provision for future access. It is impossible to provide advice on individual installations. If it is not clear how to access, please contact the original installer of the bathroom installation for further advice.

Spares

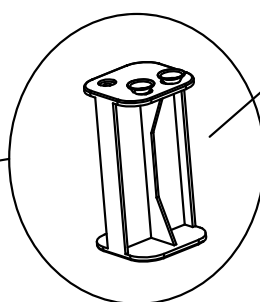
CSFK Contactless Dual Flush Remote Sensor Kit

ROPER RHODES®
TRADE SOLUTIONS

SP16852
Contactless sensor mounting brackets



SP16854
Contactless sensor battery housing



SP16853
Contactless sensor decal

