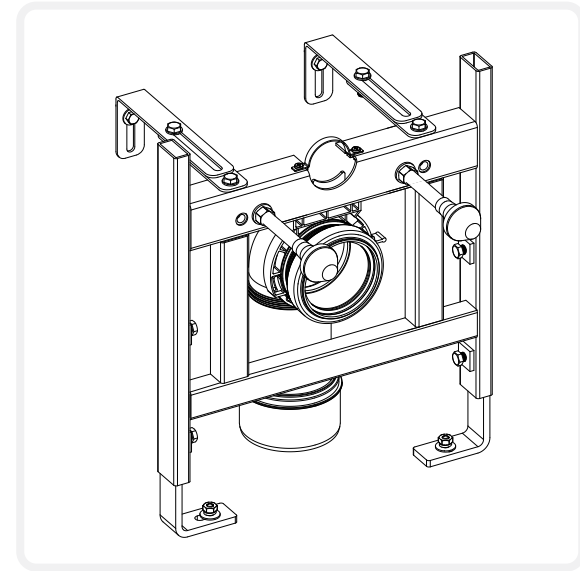


# Low Level WC/Bidet Frame

## Fitting Instructions

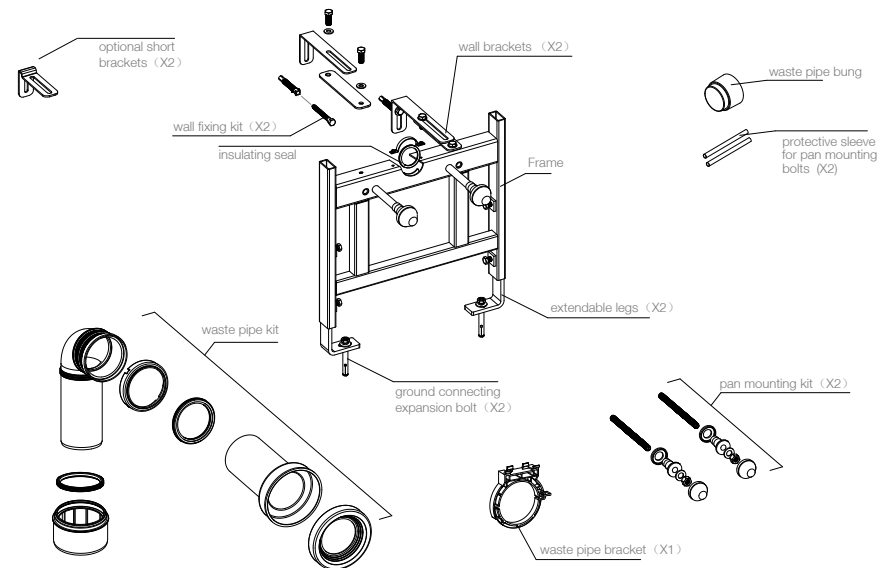
Please read completely first before commencing.  
Please retain for future reference.

TR9018

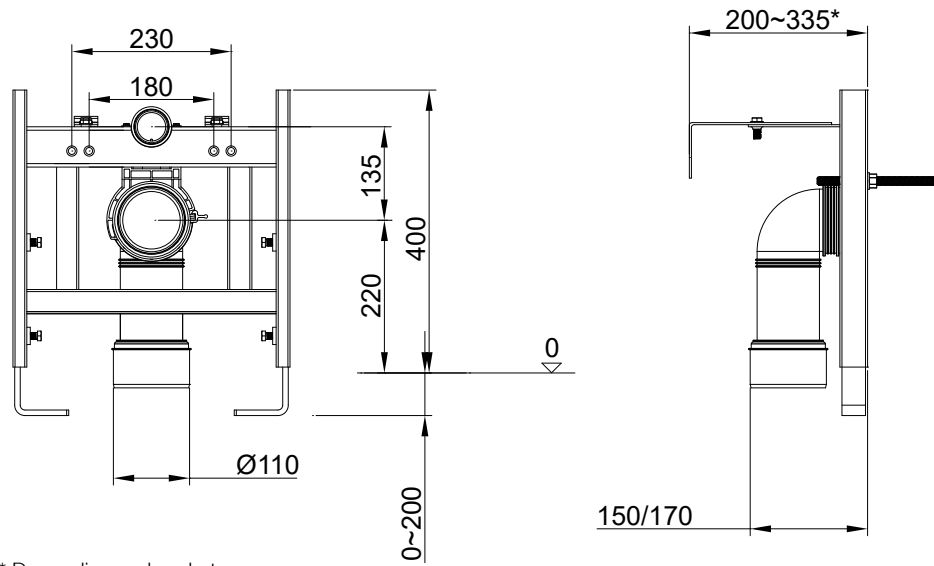


This product must be installed by a qualified fitter or plumber in accordance with and meet the requirements of the Water Supply (Water Fittings) Regulations 1999 and Scottish Byelaws 2004

## Exploded Diagram



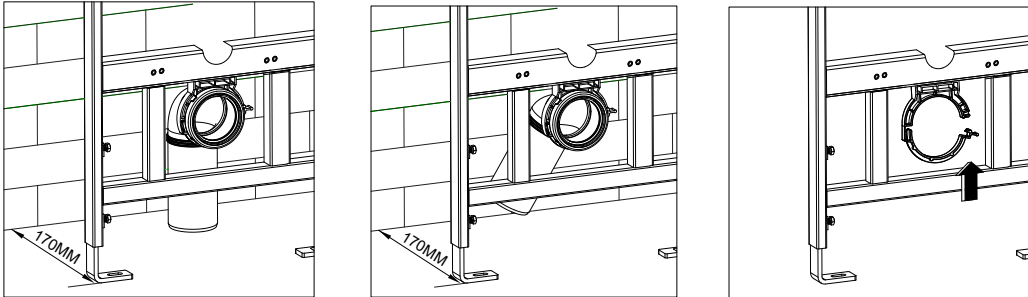
## Fitting Dimensions



\* Depending on bracket combination used

(Wall Hung Frame dimensions)

## Installation Of Waste Pipe

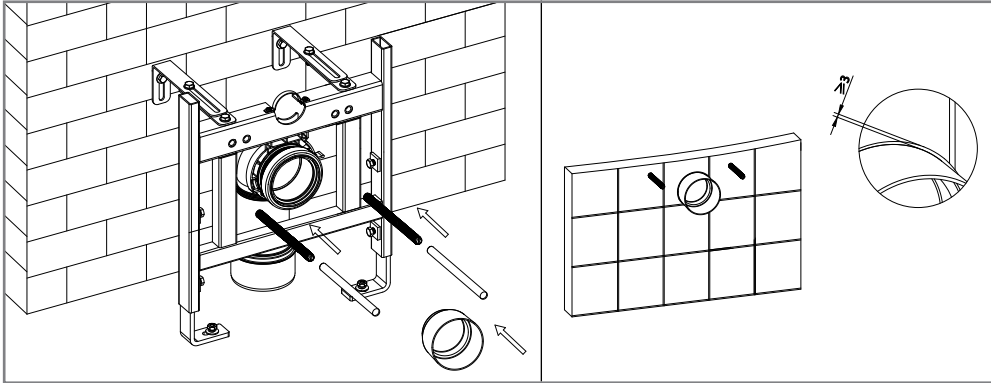


To allow space for the installation of the waste pipe allow at least 170mm of space between the wall and the wall hung frame.

The waste pipe can be installed easily by opening up the fixing collar and positioning the lip of the waste pipe inside the collar. The collar should then be clipped closed to secure the waste pipe in place before it is connected to the toilet pan.

## Notes

## Installation Of Wall Hung Frame



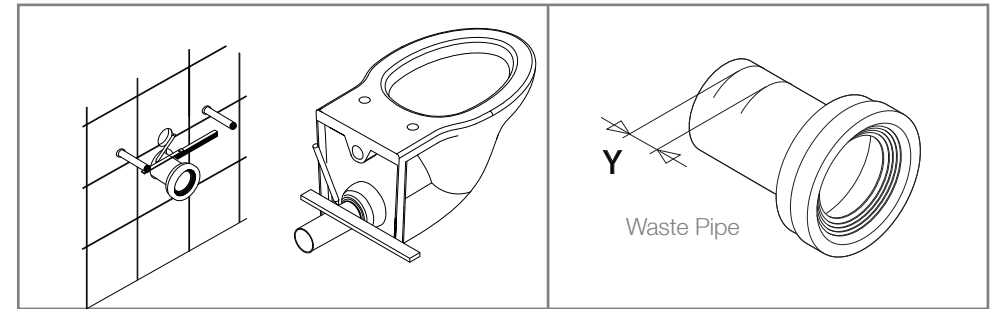
Install the bung in the waste pipe to protect during any building work. Similarly, the threaded rods on which the toilet pan will be hung should be installed at a distance corresponding to the width of the pan fixing holes. When screwed into place, the flexible sheaths should be put on the rods for protection.

**Important!** If installing with a concealed cistern for WC use, flush out all impurities in the system prior to connection. Fit the concealed cistern in line with the manufacturer's instructions.

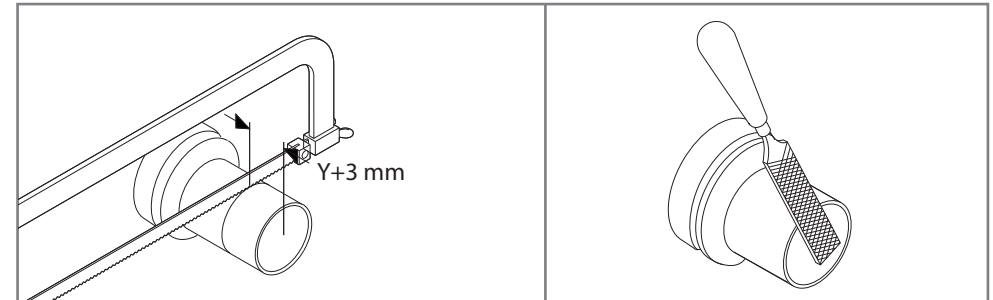
**Important!** Before building the final cladding, install the pan or bidet, turn on the water supply and fill. Check tightness of supply and waste connections. Close the isolation valve and drain the cistern and pan, then remove the pan or bidet.

## Installation Of Wall Hung Pan

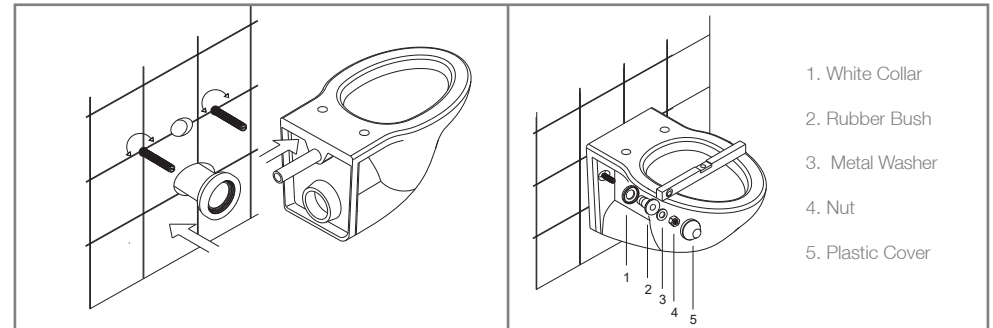
Once the cladding or furniture is assembled and complete, the pan can be fitted.



1. Place the waste pipe into the frame and place a mark that corresponds to the finished surface of the wall.
2. Then place the pipe onto the back of the pan and using a straight edge, place a mark that corresponds to the back face of the pan
3. The distance between these two marks corresponds to the amount of pipe that needs to be cut off to enable the pan to fit snugly against the finished wall surface.
4. BEFORE cutting the pipe, add a further 3mm to the amount to be cut off the waste pipe.



5. It is ESSENTIAL that the extra distance is added to cut away extra material. Take care to cut straight otherwise leaks will occur.
6. Once cut, add a chamfer to the end of the pipe to ensure that it can be easily located inside the pipework in the wall hung frame. Using a suitable lubricant (not supplied), locate the waste pipe into the frame.



If using a concealed cistern make sure that the inlet pipe is cut accordingly in line with the manufacturer's instructions. Check that the waste pipe is secure in the frame. Remove the protective flexible sheaths from the threaded rods. Position the pan taking care that the connecting pipes are well aligned to prevent leaks. Use a spirit level to make sure the pan is level and then fix to the rods with the supplied fixings in the order shown above. If the pan has concealed fixings, use the hardware supplied by the pan manufacturer when connecting the pan to the rods.

## Using The Frame In A Furniture Unit

If installing the frame into a WC furniture unit, some struts may need to be removed. Always check before cutting that the unit integrity will not be compromised. Units can be screwed to adjoining units in a run where possible to add further strength.

Front struts in a WC furniture unit may cause the frame to be spaced away from the main WC facing fascia of a WC unit. This will create a void which will need to be filled (between the frame and the back of the main fascia) to stop the main fascia bowing in when the WC is in use.

You may need to remove the feet in a fitted furniture WC Unit to facilitate room for the frame. The unit can be wall hung instead.

Any back rails in a WC Unit must be removed or repositioned to the back of the unit if they are not already. Frame brackets must screw directly into a solid wall. Screwing into a rail or strut that is not secured up against a solid wall will not prove strong enough when the frame is in use.

## General Care & Safety

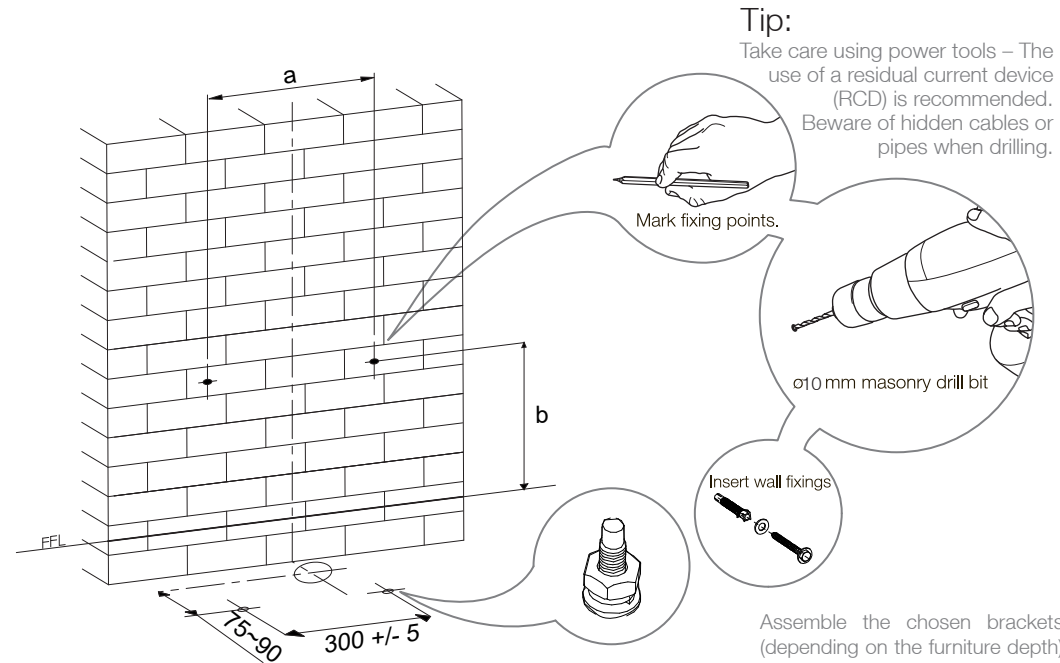
Wall plugs supplied are ONLY suitable for solid stone/brick walls. They are not suitable for use in aerated blocks or similar. If fixing to a stud wall, sufficient extra internal reinforcements must be made to the wall. Screws must locate into suitably reinforced studs and noggins.

Take care using power tools – The use of a residual current device (RCD) is recommended. Beware of hidden cables or pipes when drilling.

This product can be dangerous if installed incorrectly. This product must be installed by a qualified plumber or installer. It is the installer's responsibility to check that the fixings are suitable for the installation in hand.

Before starting to enclose the frame, the system must be first tested for leaks before 2nd fix commences. Using the help of a second person to hold the pan in place on the frame, turn on the water supply and flush the pan to check for leaks.

## Installation Of Wall Hung Frame



Assemble the chosen brackets (depending on the furniture depth) to the frame as shown, using 2 x 25mm hex head bolts & washers.

The height of the frame and distance from the wall can be adjusted manually with the bolts found on the top fixing bracket and the legs of the frame. Loosening the bolts will allow the frame to be adjusted accordingly. Use a spirit level to ensure the frame is level. Re-tighten the bolts to secure the frame into its new position. Note: do not extend the legs more than 200mm as the frame may become unstable.

Offer the frame up to the wall, mark and drill holes in the appropriate places using a 10mm masonry drill bit. If the frame has been adjusted, mark off the new hole positions accordingly (distances a & b). Use a piece of masking tape to prevent the drill from wandering.

Using the wall fixings provided, secure the frame to the wall. Ensure that the fixings supplied are suitable for the installation in hand. If in doubt consult an expert.

