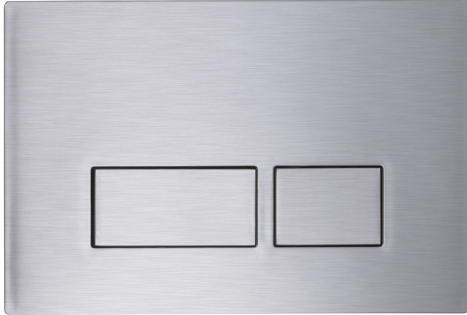


TECHNICAL DATA SHEET

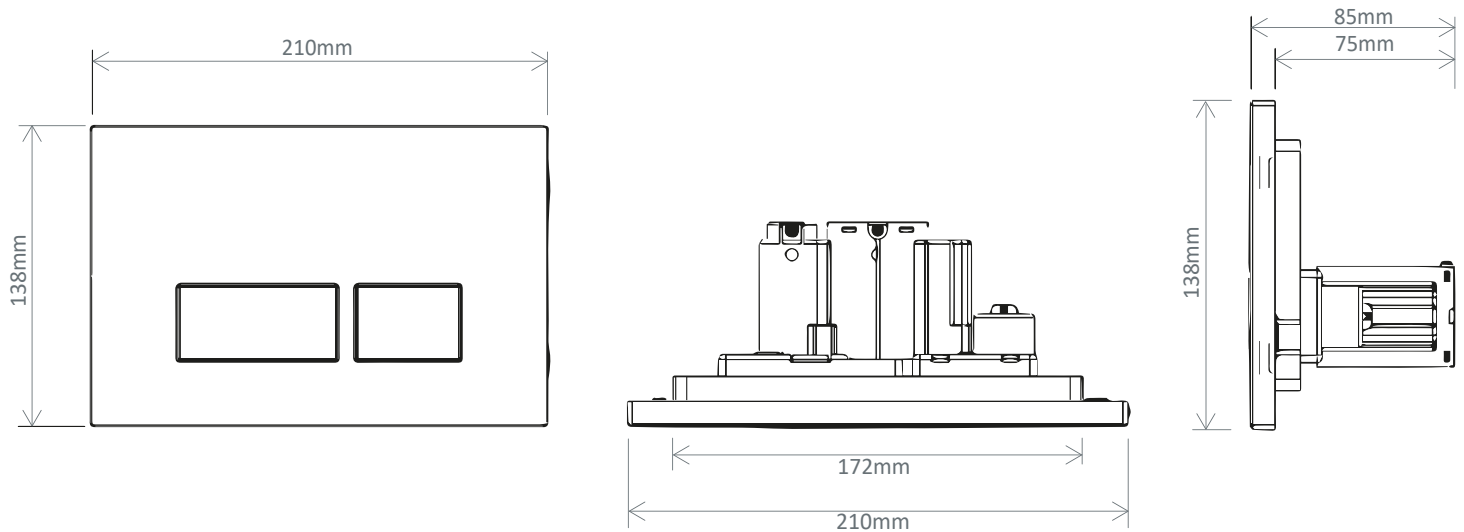
Square Flush Plate, Stainless Steel - TR9019

NO.	Description	Product Code	Fixings included	Gross Weight
1	Square Flush Plate - Stainless Steel	TR9019	YES	0.3KG



DIMENSIONS

DIAGRAMS NOT TO SCALE | ALL DIMENSIONS IN MM TOLERANCE OF ± 5 MM
ALL PRODUCTS CONFORM TO BRITISH STANDARDS



*Dimensions are subject to change, customers are advised to measure actual product before commencing installation.

FAQs

Q - What material is this product made of?

A - Stainless Steel front plate and buttons, with an ABS body.

Q - Which concealed cisterns and Wall Hung WC Frames is this product compatible with?

A - This flush button is compatible with all dual flush pneumatic flushing cisterns.

- Compatible with following Roper Rhodes Group Products:

In-Wall Cistern - TR9009

Vortex Cistern Bottom Inlet - VOR790

Apex Cistern Side Inlet - TR9002

Comfort Height Cistern - TR9008

1.17m Wall Hung WC Frame - TR9006

1.0m Wall Hung WC Frame - TR9015

0.82m Wall Hung WC Frame - TR9005