

# TECHNICAL DATA SHEET

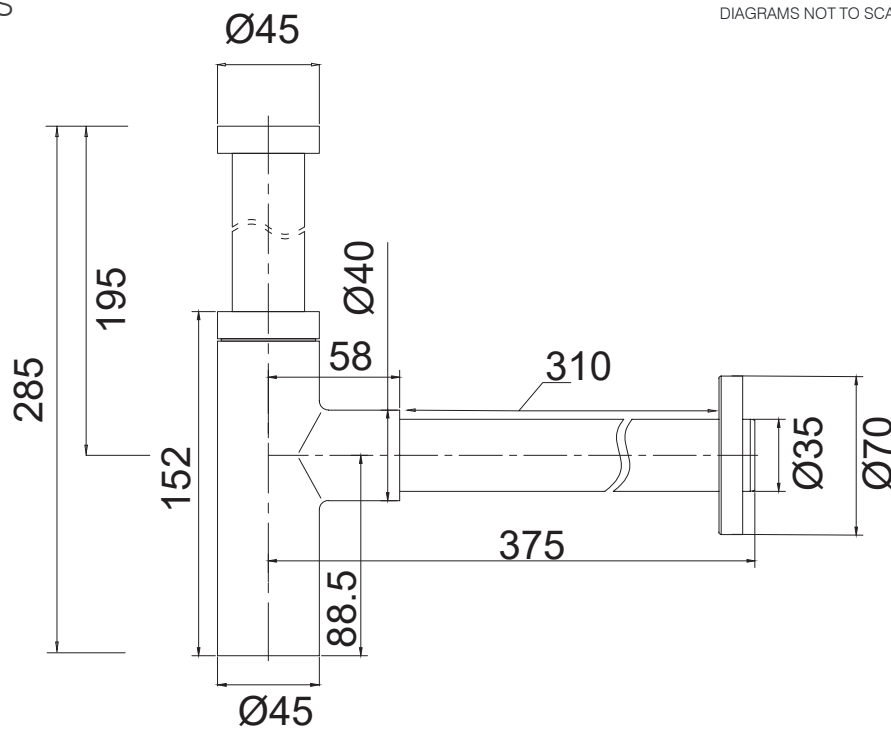
Adjustable Bottle Trap - Chrome: TRAP6, Black: TRAP7, Brushed Brass: TRAP8

NO.	Description	Product Code	Fixings included	Gross Weight
1	Adjustable Bottle Trap	TRAP6, TRAP7, TRAP8	YES	0.2KG



## DIMENSIONS

DIAGRAMS NOT TO SCALE | ALL DIMENSIONS IN MM TOLERANCE OF  $\pm 5$ MM  
ALL PRODUCTS CONFORM TO BRITISH STANDARDS



\*Dimensions are subject to change, customers are advised to measure actual product before commencing installation.

## FAQs

Q - What material is this product made of?

A - Electroplated brass.

Q - What is the size of the thread connection?

A - The thread is a standard 1,1/4" BSP fixing.

Q - What is the height adjustability?

A - Length 'A' minimum 280mm, maximum 310mm

Length 'B' minimum 190mm, maximum 220mm