

TECHNICAL DATA SHEET

Compass Square Soft Close Slim Wrapover Toilet Seat - TS1051S-SF

TAVISTOCK

NO.	Description	Product Code	Fixings included	Gross Weight
I	Soft Close Slim Wrapover Toilet Seat	TS1051S-SF	YES	2.4KG



Spares Codes:

Secure Fix Hinge Fixing Kit (No Template) - SP22769

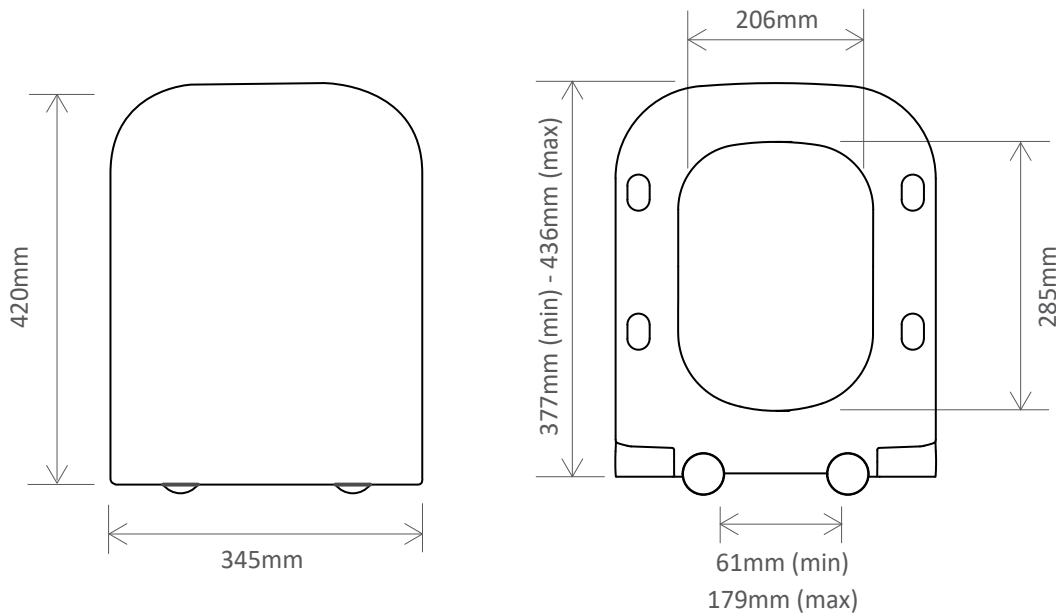
Secure Fix Template - SP21843

Seat Buffer Pack - SP22055

Lid Buffer Pack - SP22054

DIMENSIONS

DIAGRAMS NOT TO SCALE | ALL DIMENSIONS IN MM TOLERANCE OF ± 5MM
ALL PRODUCTS CONFORM TO BRITISH STANDARDS



*Dimensions are subject to change, customers are advised to measure actual product before commencing installation.

FAQs

Q - What's the maximum test load of the seat?

A - 150kg

Q - What are the fixings made from?

A - Stainless Steel Cover Plates/Screws, Nylon Anchor Plates, Rubber Washers, Rubber Fixing Plugs.

Q - What finish are the hinge covers supplied with the seat?

A - Chrome

Q - Can the seat hinges be upgraded to a different finish?

A - Yes using DC4032 (black), DC4033 (brushed brass) or DC4034 (gunmetal)

Q - What colour finish is the seat?

A - Keramik White

Key Dimensions Descriptions	Key Dimensions (mm)
Seat/Lid Front to Back	420mm
Seat/Lid Left to Right	345mm
Ring Hole Front to Back	285mm
Ring Hole Left to Right	206mm
Seat Overall Thickness	42mm