

TECHNICAL DATA SHEET

Marston Soft Close Slim Toilet Seat - TS1255S-SF

TAVISTOCK

NO.	Description	Product Code	Fixings included	Gross Weight
I	Marston Slim Toilet Seat	TS1255S-SF	YES	3KG



Spares Codes:

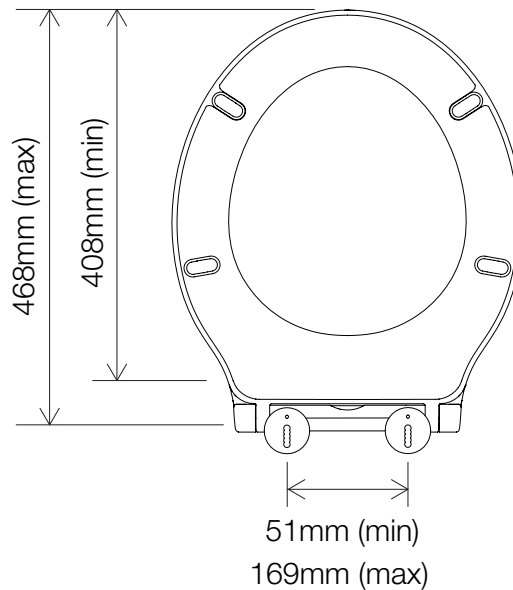
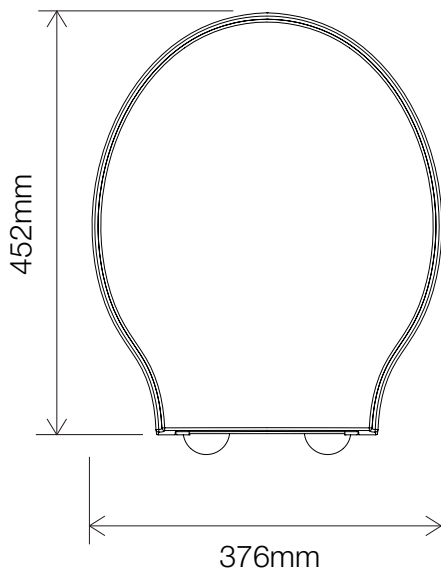
Secure Fix Hinge Fixing Kit (No Template) - SP22768

Seat Buffer Pack - SP22767

Lid Buffer Pack - SP22052

DIMENSIONS

DIAGRAMS NOT TO SCALE | ALL DIMENSIONS IN MM TOLERANCE OF ± 5MM
ALL PRODUCTS CONFORM TO BRITISH STANDARDS



*Dimensions are subject to change, customers are advised to measure actual product before commencing installation.

FAQs

Q - What's the maximum test load of the seat?
A - 150kg

Q - What are the fixings made from?
A - Stainless Steel Cover Plates/Screws, Nylon Anchor Plates, Rubber Washers, Rubber Fixing Plugs.

Q - What finish are the hinge covers supplied with the seat?
A - Chrome

Q - Can the seat hinges be upgraded to a different finish?
A - Yes using DC4032 (black), DC4033 (brushed brass), DC4046 (brushed bronze) or DC4034 (gunmetal)

Q - What colour finish is the seat?
A - Alpine White

Key Dimensions Descriptions	Key Dimensions (mm)
Seat/Lid Front to Back	452mm
Seat/Lid Left to Right	376mm
Ring Hole Front to Back	280mm
Ring Hole Left to Right	246mm
Seat Overall Thickness	42mm