

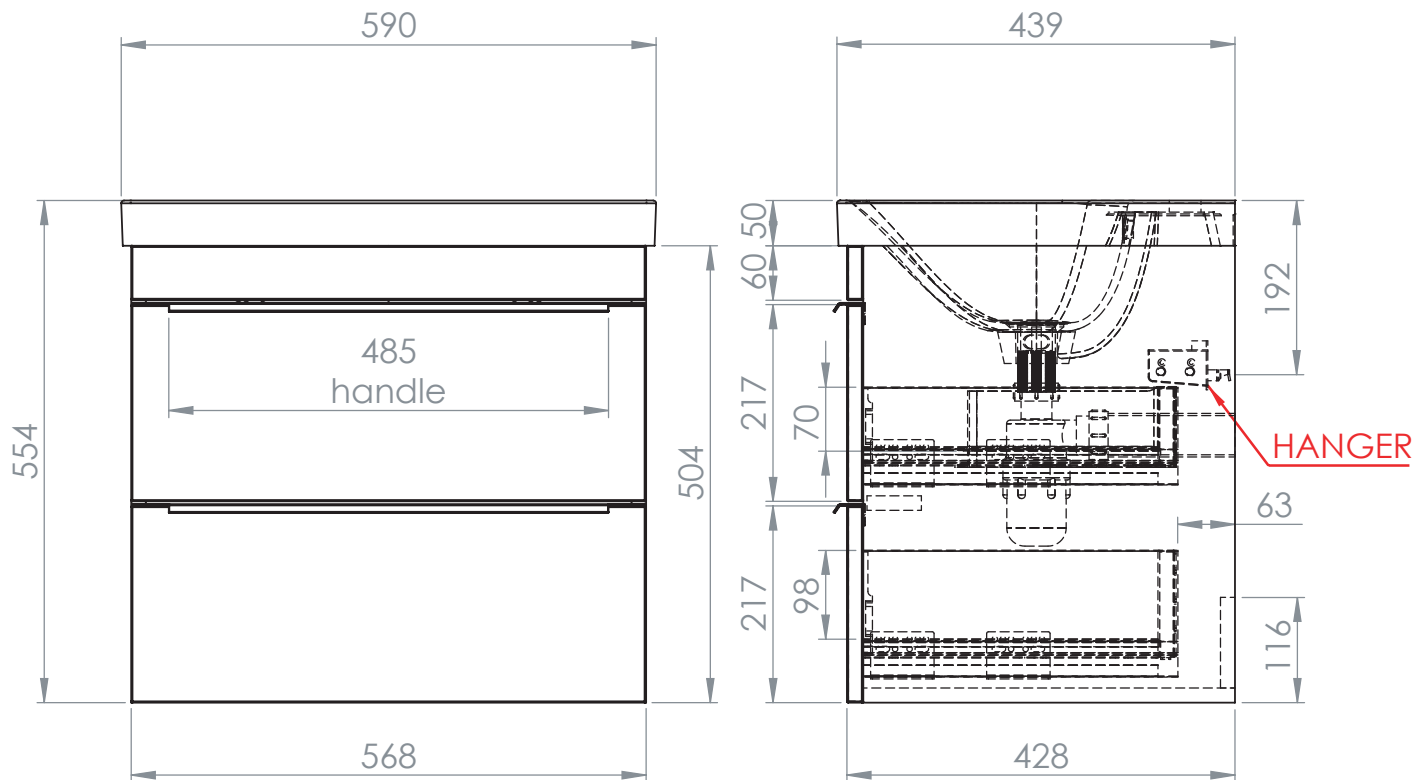
Technical Data Sheet

TYPE 600mm Wall Mounted Unit

Whats in the box: 1x TY6012.X + Fixings



*Reference basin TDS for further info



Diagrams not to scale
All dimensions in mm
tolerance of +/-5mm

Materials

Carcass: 16mm Painted MDF or MFC

Fascia Components: 18mm Painted MDF or MFC

**Dimensions are subject to change, customers are advised to measure actual product before commencing installation.

***Fixing point dimensions are for guidance only/the positions of wall fixing must be checked when product is received.

FAQs

Q: How big is the plumbing void at the back of the furniture?

A: 65mm

Q: Are the handles fitted?

A: Yes, handles are pre-fitted

Q: Are the runners soft close?

A: The runners are both soft close and quick release.

Q: Can the drawers be adjusted?

A: The drawers of the unit can be adjusted as detailed in the supplied instructions

Q: How deep is the unit when the drawers are fully open?

A: Approx. 720mm including handle.

Q: How do I fix the unit to the wall?

A: There are adjustable wall hangers in the unit and wall plate kit is provided as detailed in the supplied instructions.

NOTE: Colours unique to R2 - No RAL Code available