

# TECHNICAL DATA SHEET

Accent SCT Slim Depth Basin - A2SCBAS

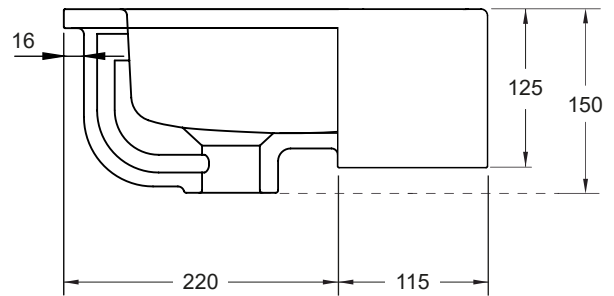
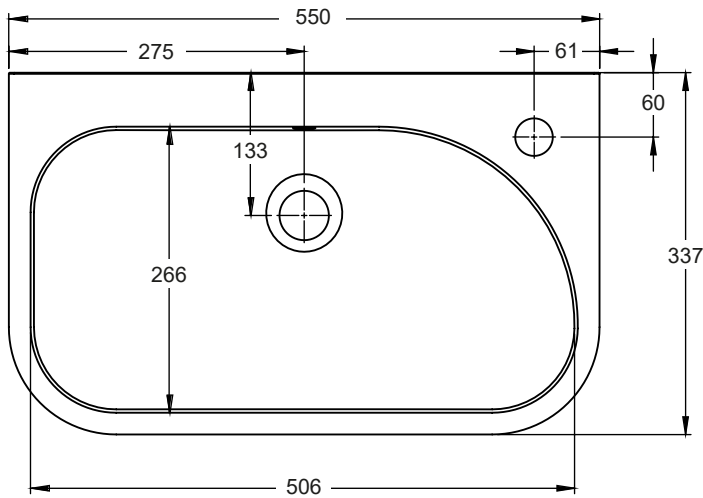
ROPER RHODES®

NO.	Description	Product Code	Template included	Gross Weight
1	Semi Recess Basin - Slim Depth	A2SCBAS	YES	11KG



## DIMENSIONS

DIAGRAMS NOT TO SCALE | ALL DIMENSIONS IN MM TOLERANCE OF ± 5MM  
ALL PRODUCTS CONFORM TO BRITISH STANDARDS



\*Dimensions are subject to change, customers are advised to measure actual product before commencing installation.

\*\*Fixing point dimensions are for guidance only. The positions of fixings must be checked when product is received.

## FAQs

Q - Is a fitting template supplied?

A - Yes : Questions on cutting dimensions can be found on the instructional template.

Q - How is the basin fixed to the furniture?

A - Fix to workspace with silicone as per instructions supplied.

Q - Can this basin be wall or pedestal mounted?

A - No, this basin is only suitable for use as a semi-countertop basin.

Key Dimensions Descriptions	Key Dimensions (mm)
Internal Bowl Depth	100mm overall depth 70mm to overflow
Internal Bowl Front to Back	266mm
Internal Bowl Left to Right	506mm
Tap Ledge	N/A
Taphole Centre to Waste Centre	73mm
Taphole Centre to Back of Basin	60mm
Waste Centre to Back of Basin	133mm
Height of Basin	150mm
Basin Overhang	115mm