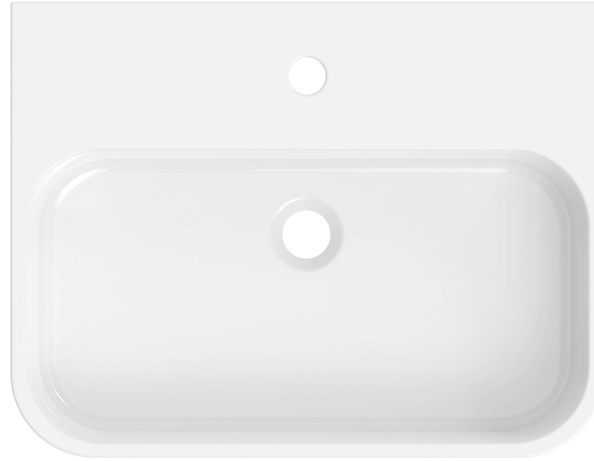


TECHNICAL DATA SHEET

Accent SCT STD Depth Basin - A3SCBASMW

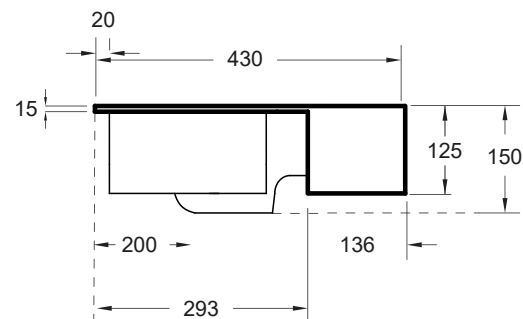
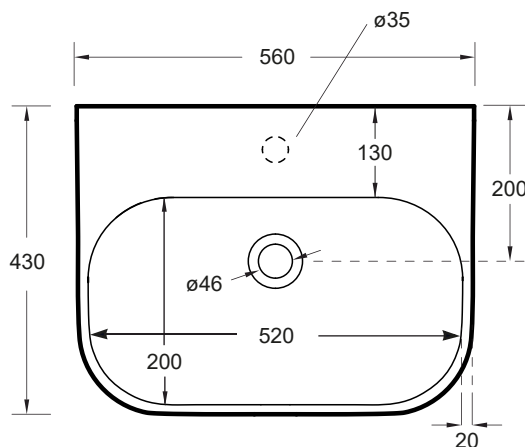
ROPER RHODES®

NO.	Description	Product Code	Template included	Gross Weight
1	Semi Recess Basin - Standard Depth	A3SCBASMW	YES	14KG



DIMENSIONS

DIAGRAMS NOT TO SCALE | ALL DIMENSIONS IN MM TOLERANCE OF ± 5MM
ALL PRODUCTS CONFORM TO BRITISH STANDARDS



*Dimensions are subject to change, customers are advised to measure actual product before commencing installation.

**Fixing point dimensions are for guidance only. The positions of fixings must be checked when product is received.

FAQs

Q - Is a fitting template supplied?

A - Yes : Questions on cutting dimensions can be found on the template.

Q - How is the basin fixed to the furniture?

A - Fix to workspace with silicone as per instructions supplied.

Q - Can this basin be wall or pedestal mounted?

A - No, this basin is only suitable for use as a semi-countertop basin.

Q - What finish is the ceramic glaze?

A - Matt White

Key Dimensions Descriptions	Key Dimensions (mm)
Internal Bowl Depth	80mm to overflow 105mm overall depth
Internal Bowl Front to Back	200mm
Internal Bowl Left to Right	520mm
Tap Ledge	130mm
Tap hole Centre to Waste Centre	220mm
Tap hole Centre to Back of Basin	70mm
Waste Centre to Back of Basin	200mm
Height of Basin	150mm
Basin Overhang	136mm