

TECHNICAL DATA SHEET

Accent Slim Soft Close Toilet Seat - ASLSCTS

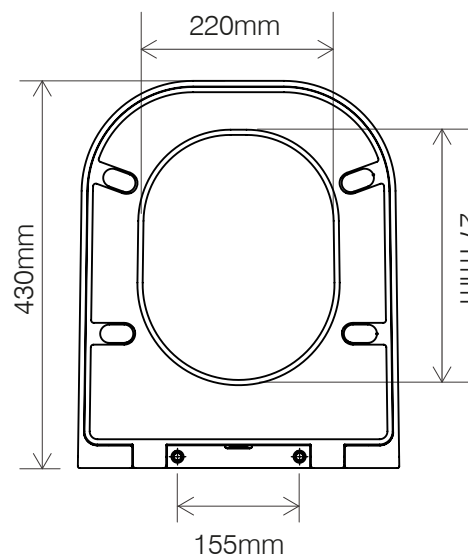
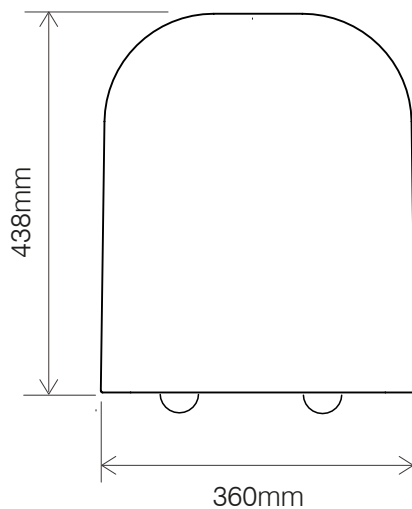
ROPER RHODES®

NO.	Description	Product Code	Fixings included	Gross Weight
1	Accent Slim Thermoset Toilet Seat	ASLSCTS	YES	2KG



DIMENSIONS - PRODUCT CODE

DIAGRAMS NOT TO SCALE | ALL DIMENSIONS IN MM | TOLERANCE OF ± 5 MM
ALL PRODUCTS CONFORM TO THE BRITISH FIXING STANDARDS



*Dimensions are subject to change, customers are advised to measure actual product before commencing installation.

**Fixing point dimensions are for guidance only/the positions of wall fixing must be checked when product is received.

FAQs

Q - What's the maximum test load of the seat?

A - 150kg

Q - What are the fixings made from?

A - Stainless Steel Cover Plates/Screws with Stainless Steel butterfly clips.

Q - How thick is the seat?

A - 54mm at rear of seat

Q - Are the hinges adjustable?

A - No the hinges are fixed with only a small range of adjustability within the seat fixing hole of the WC. The hinges are fixed to ensure a neat fit around the edge and front of the Accent WC range.