

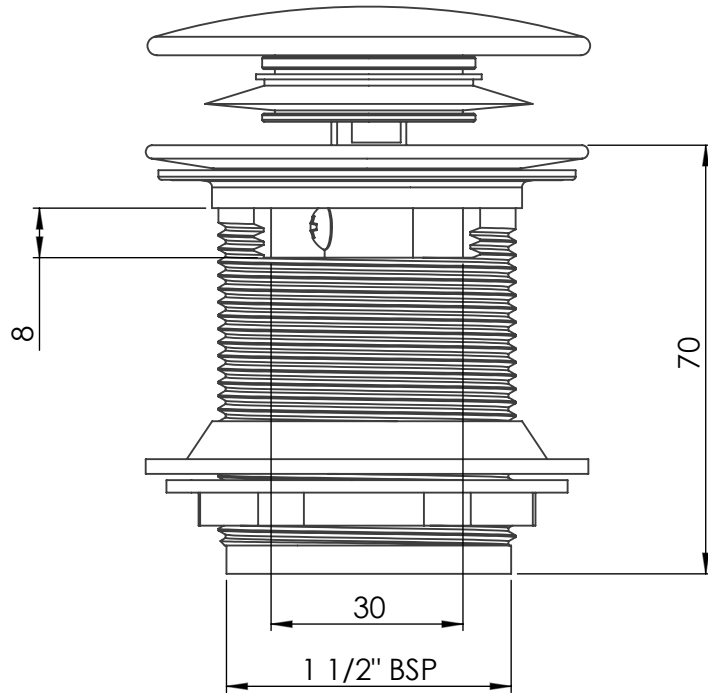
TECHNICAL DATA SHEET

Bathtub 70mm Slotted Click Waste - BAA106

ROPER RHODES®

NO.	Description	Product Code	Fixings included	Gross Weight
1	Bathtub 70mm Click Waste - Chrome	BAA106	YES	0.5KG

DIMENSIONS



DIAGRAMS NOT TO SCALE | ALL DIMENSIONS IN MM TOLERANCE OF ± 5 MM

*Dimensions are subject to change, customers are advised to measure actual product before commencing installation.

**Fixing point dimensions are for guidance only. The positions of fixings must be checked when product is received.

FAQs

Q - Which bathtubs is this waste compatible with?

A - This click waste is universal and will work with all bathtubs.

All of our bath tubs conform with BS EN 14156 Class 1 & Class 2