

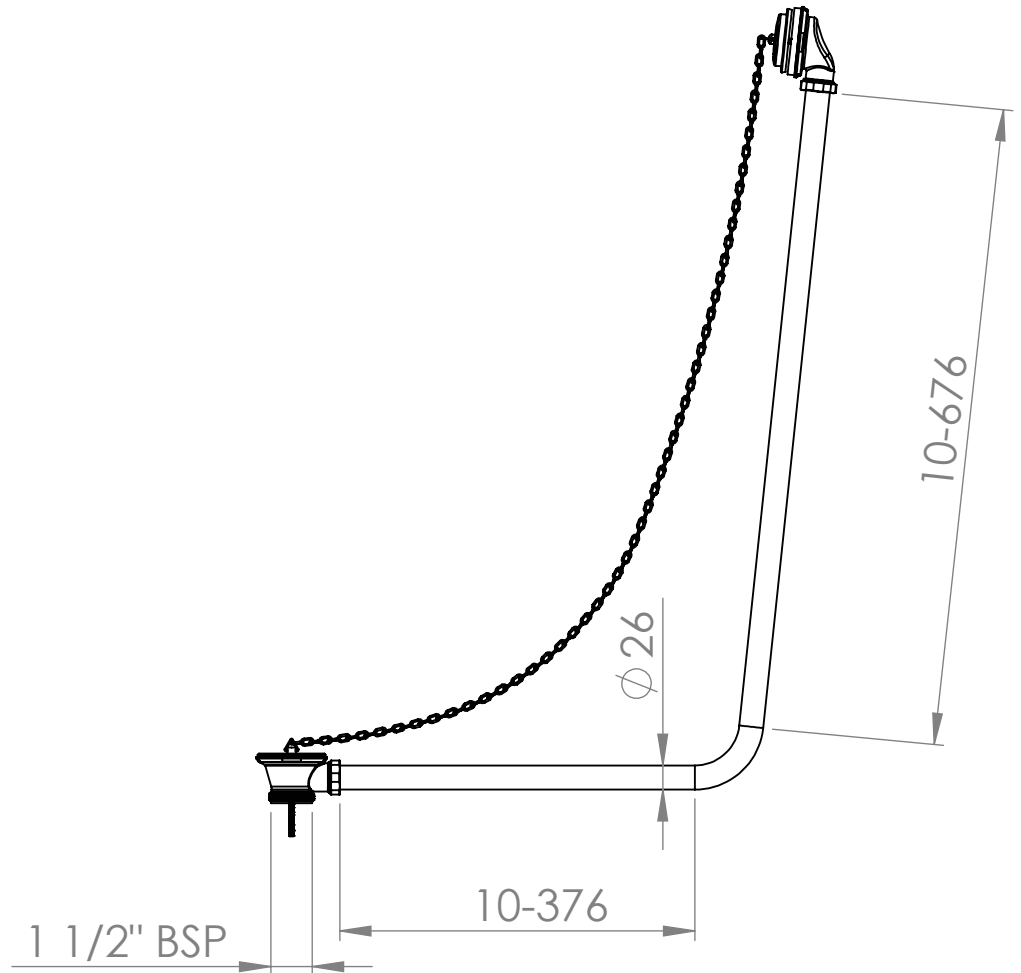
TECHNICAL DATA SHEET

Exposed Overflow Kit with Chain Waste - BAA111

ROPER RHODES®

NO.	Description	Product Code	Fixings included	Gross Weight
1	Chain Waste & Overflow Kit - Brass	BAA111	YES	3KG

DIMENSIONS



DIAGRAMS NOT TO SCALE | ALL DIMENSIONS IN MM TOLERANCE OF ± 5 MM

*Dimensions are subject to change, customers are advised to measure actual product before commencing installation.

**Fixing point dimensions are for guidance only. The positions of fixings must be checked when product is received.

FAQs

Q - Which bathtubs is this waste kit compatible with?

A - This waste kit is compatible with all Widcombe bath tubs.

Q - How do I modify the overall length and height?

A - The overflow pipe can be cut down from each end using a pipe cutter or a hacksaw.

Q - How long is the chain for the chain waste?

A - The chain is 900mm in length

Q - Can the length of the chain be changed?

A - No, the chain is a fixed length

Q - What thickness of bathtub can this waste kit work with?

A - min thickness: 1mm - max thickness: 25mm.

All of our bath tubs conform with BS EN 14156 Class 1 & Class 2