

TECHNICAL DATA SHEET

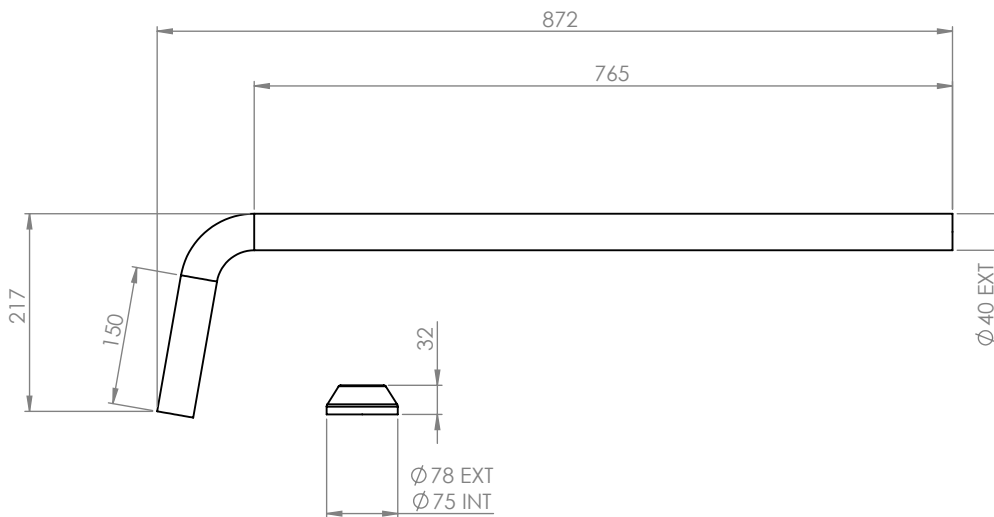
Freestanding Bathtub Drain Pipe - BAA114

ROPER RHODES®

NO.	Description	Product Code	Fixings included	Gross Weight
1	Bathtub Drain Pipe - Chrome	BAA114	YES	0.5KG



DIMENSIONS



DIAGRAMS NOT TO SCALE | ALL DIMENSIONS IN MM TOLERANCE OF ± 5 MM

*Dimensions are subject to change, customers are advised to measure actual product before commencing installation.

**Fixing point dimensions are for guidance only. The positions of fixings must be checked when product is received.

FAQs

Q - Which bathtubs is this trap compatible with?

A - This trap is compatible with all Widcombe bath tubs.

Q - Is the drain pipe only suitable for use where the waste is in the floor

A - No, the pipe can be cut before the bend to enable connection between the bath tub and a waste pipe which exits through the wall if required.

Please note, the length of the drain pipe should be modified to suit the installation requirements by cutting down each end to a suitable length.

All of our bath tubs conform with BS EN 14156 Class 1 & Class 2