

# TECHNICAL DATA SHEET

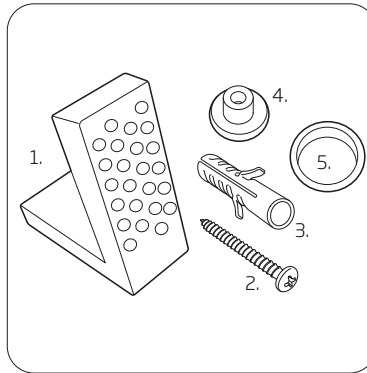
## Coast Comfort Height Closed Coupled Open Back WC

R2

NO.	Description	Product Code	Fixings included	Gross Weight
1	Close Coupled Cistern	COCCCIS	YES	15KG
2	Soft Close Lift Off Toilet Seat	COSCTS	YES	2KG
3	Comfort Fully Enclosed WC	COCHFPAN	YES	34KG



### Floor Fixings

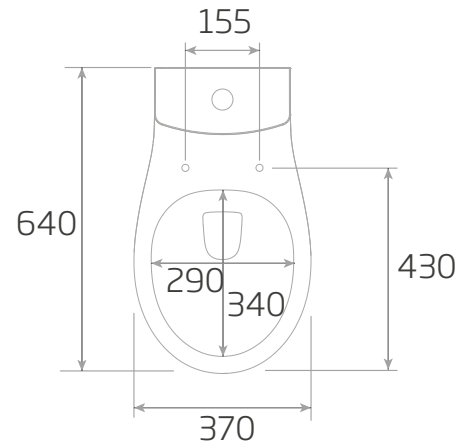
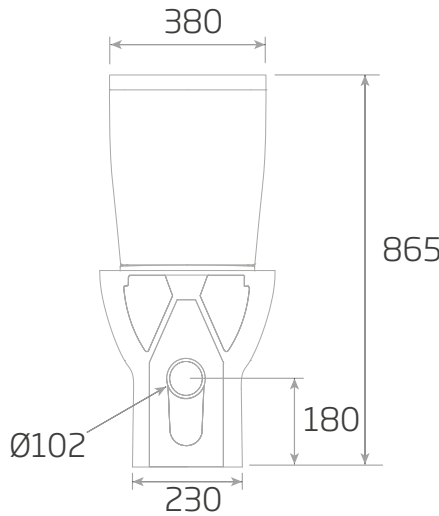
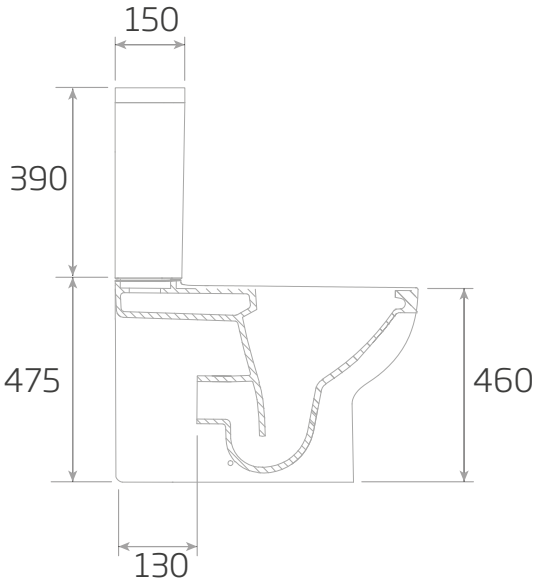


- 1. 2x Nylon Floor Bracket
- 2. 4x Stainless Steel Screws
- 3. 2x Nylon Screw Plugs
- 4. 2x Nylon Screw Collars
- 5. 2x Nylon Collar Caps (Metalic Finish)

Spare Code: SP14211

### DIMENSIONS

DIAGRAMS NOT TO SCALE | ALL DIMENSIONS IN MM TOLERANCE OF  $\pm 5$ MM  
ALL PRODUCTS CONFORM TO BRITISH STANDARDS



\*Dimensions are subject to change, customers are advised to measure actual product before commencing installation.

\*\*Fixing point dimensions are for guidance only. The positions of fixings must be checked when product is received.

### FAQs

Q - Where is the inlet valve?  
A - Bottom inlet, back right of the pan.

Q - What is the flush volume?  
A - 5/3L

Q - Can this pan be used with a side connection outlet pipe?  
A - Yes..

Q - Are there any other compatible seats?  
A - Yes, Neutron (8901WSC-SF)

Q - Rim Type?  
A - Rimless

Key Dimensions Descriptions	Key Dimensions (mm)
Front to Back Footprint	500mm
Left to Right Footprint	230mm
Bowl Front to Back	340mm
Bowl Left to Right	290mm
Pan Height (+Cistern)	460mm (865mm)
Pan Overall Front to Back	640mm
Centre Waste Outlet to Floor	180mm
Width of Void	190mm
Is there a Ceramic Brace Bar	No
Distance from Spigot to back of Pan	130mm